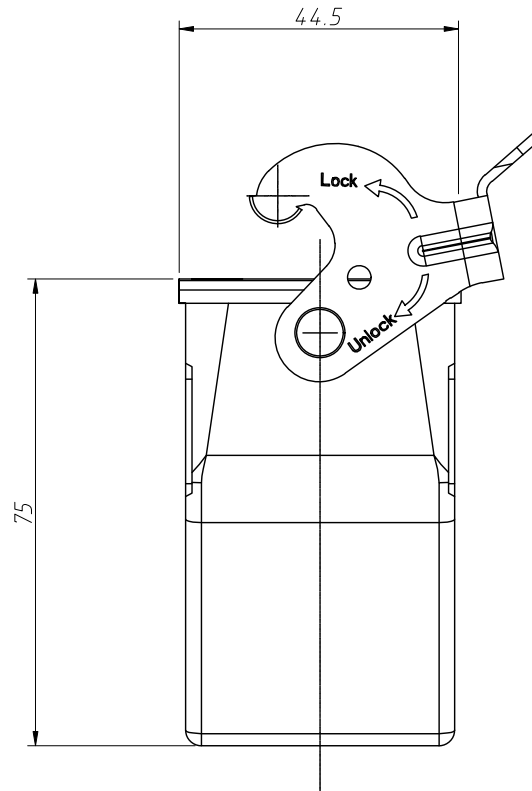
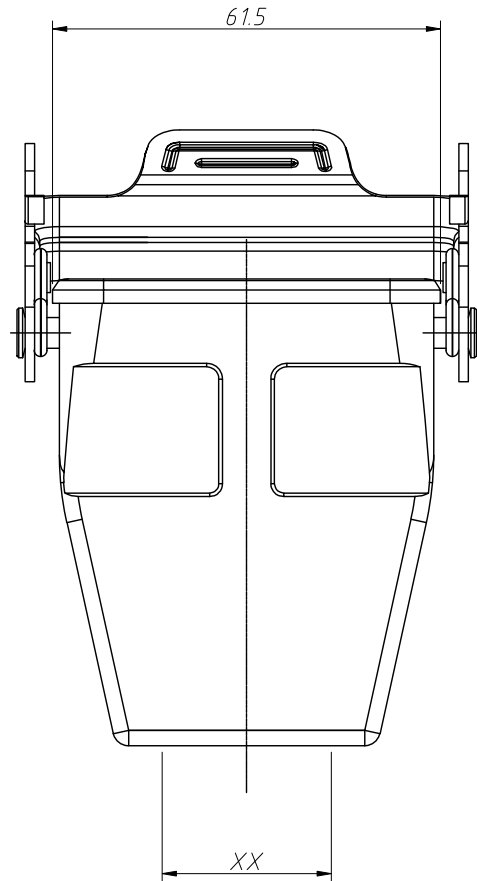


1  
RoHS Compliance

6	7	8
REV	SYM	Revision Record
V0	KLS01695	New Version Release
Appr.	Date	
Song	2025-06-25	



Technical:  
 Material  
 Body: Aluminium die-cast.  
 powder-coated,RAL 7037(grey)  
 Hoods/Housings sealing:NBR  
 Temperature range:-40°C ~ +125°C  
 Degree of protection: IP65  
 (acc.to IEC 60529 for coupled connector)  
 Cable entry:Top entry  
 No.of cable entries: 1  
 Thread size:M25/PG21/PG29  
 Locking element:  
 Locking type:single locking latch  
 Material:Metal+Plastic

Order Information:  
 L-KLS1-H6B-STH-1L-XX  
 L:RoHS  
 H6B series  
 Cable entry:  
 STH:cable to cable,high construction  
 1L:Single locking lahch  
 Thread size:M25/PG21/PG29

ANGLE TOLERANCE	PROJECTION	Description:	Heavy Duty Connectors,Top entry H6B Series Hood,With Thread
±3°			
GENERAL TOLERANCE	UNITS	mm	KLS P/N: L-KLS1-H6B-STH-1L-XX
x.x ±0.30	SHEET SIZE	A4	
x.xx ±0.20	Draw:	Song	2025-06-25
x.xxx ±0.10	Check:	Daniel	2025-06-25



NingBo KLS ELECTRONIC CO.,L TD.