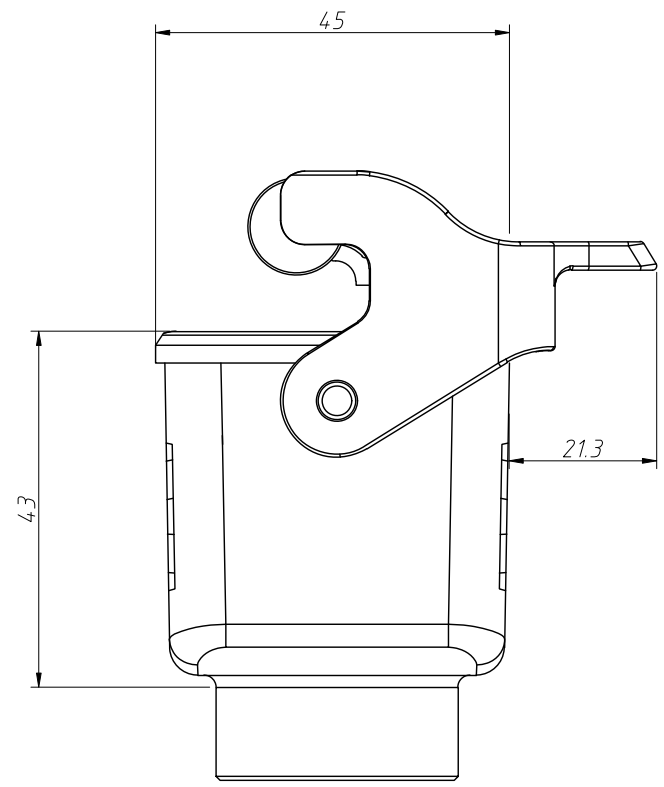
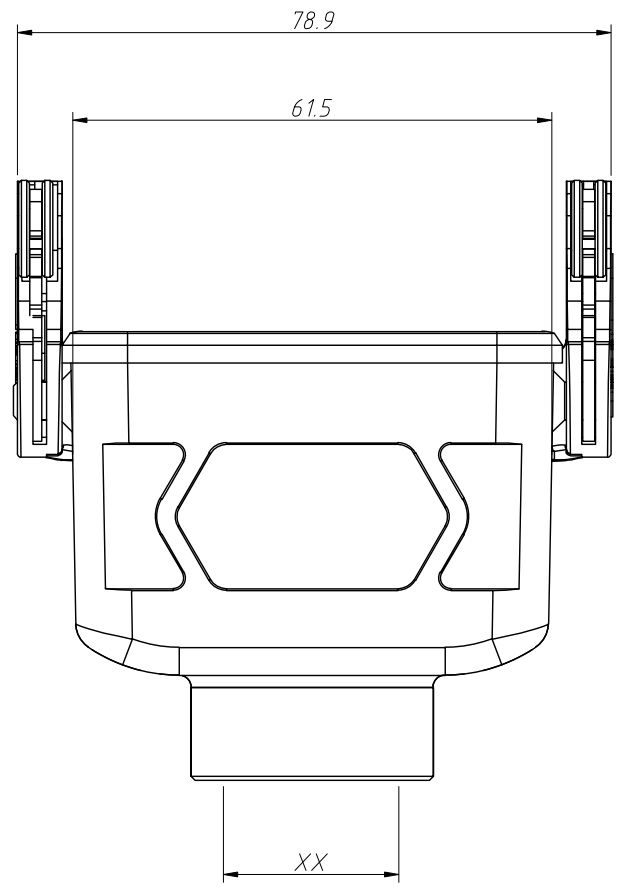


1
RoHS Compliance

2		3		4		5		6		7		8	
REV	SYM	Revision Record				Appr.	Date						
V0	KLS01695	New Version Release				Song	2025-06-25						



Technical:
Material
Body: Aluminium die-cast.
powder-coated,RAL 7037(grey)
Hoods/Housings sealing:NBR

Temperature range:-40°C ~ +125°C
Degree of protection: IP65
(acc.to IEC 60529 for coupled connector)
Cable entry:Top entry
No.of cable entries: 1
Thread size:M20/PG13.5/PG16

Locking element:
Locking type:single locking latch
Material:Metal+Plastic

Order Information:
L-KLS1-H6B-ST-1L-XX
L:RoHS
H6B series
Cable entry:
ST:cable to cable
1L:Single locking latch
Thread size:M20/PG13.5/PG16

ANGLE TOLERANCE	PROJECTION	Description:		Heavy Duty Connectors,Top entry H6B Series Hood,With Thread
±3°				
GENERAL TOLERANCE	UNITS	mm	KLS P/N:	L-KLS1-H6B-ST-1L-XX
x.x ±0.30	SHEET SIZE	A4		
x.xx ±0.20	Draw:	Song	2025-06-25	NingBo KLS ELECTRONIC CO.,L TD.
x.xxx ±0.10	Check:	Daniel	2025-06-25	