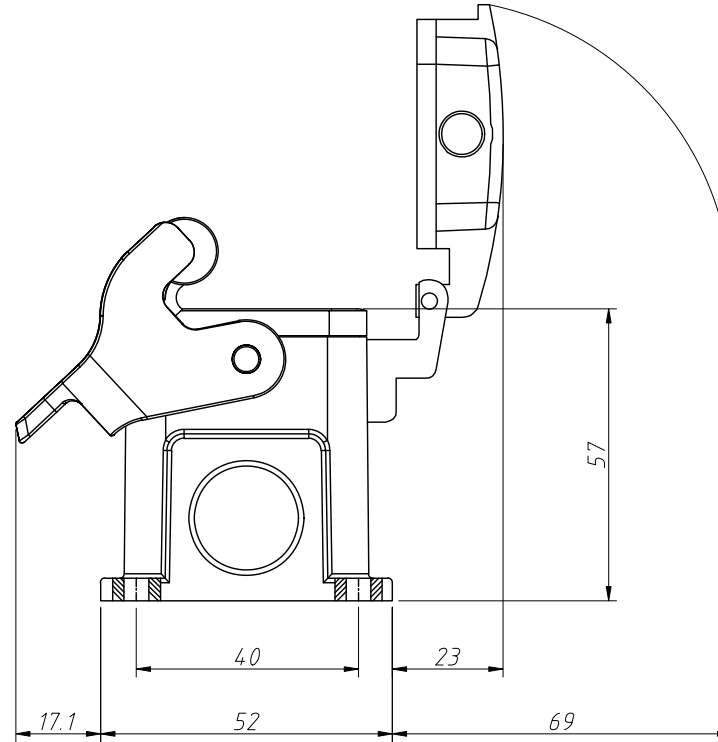
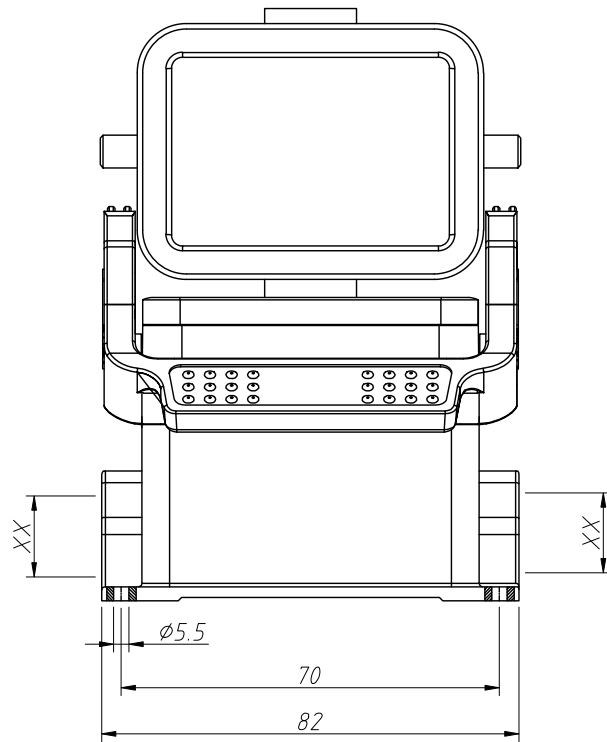


1 RoHS Compliance

REV	SYM	Revision Record	Appr.	Date
V0	KLS01695	New Version Release	Song	2025-06-25

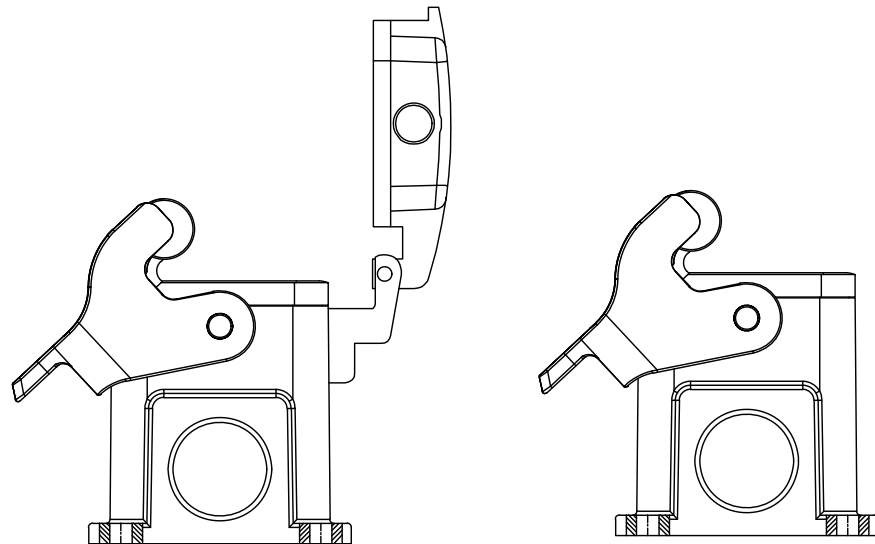


**Technical:**  
**Material**  
 Body: Aluminium die-cast.  
           powder-coated,RAL 7037(grey)  
 Cover:PC/Aluminium  
 Hoods/Housings sealing:NBR

Temperature range:-40°C~+125°C  
 Degree of protection: IP65  
 (acc.to IEC 60529 for coupled connector)  
 Cable entry:Side entry  
 No.of cable entries: 1/2  
 Thread size:  
 M20/2M20/M25/2M25/PG16/2PG16  
 Locking element:  
 Locking type:single locking latch  
 Material:Metal+Plastic

**Order Information:**  
 L-KLS1-H6B-SF-1L(XX)-XX

L:RoHS  
 H6B series  
 Cable entry:  
 SF:surface mounting  
 1L:Single locking lahch  
 C:Plastic cover  
 MC:Metal cover  
 Thread size:  
 M20/2M20/M25/2M25/PG16/2PG16



With Metal / Plastic cover

Without cover

ITEM	Describe
L-KLS1-H6B-SF-1L-XX	Without cover
L-KLS1-H6B-SF-1LC-XX	With Plastic cover
L-KLS1-H6B-SF-1LMC-XX	With Metal cover

ANGLE TOLERANCE	PROJECTION	Description:	Heavy Duty Connectors,Side entry H6B Series Hood,With Thread
±3°			
GENERAL TOLERANCE	UNITS	mm	KLS P/N:
x.x ±0.30	SHEET SIZE	A4	L-KLS1-H6B-SF-1L(XX)-XX
x.xx ±0.20	Draw:	Song	2025-06-25
x.xxx ±0.10	Check:	Daniel	2025-06-25



NingBo KLS ELECTRONIC CO.,L TD.