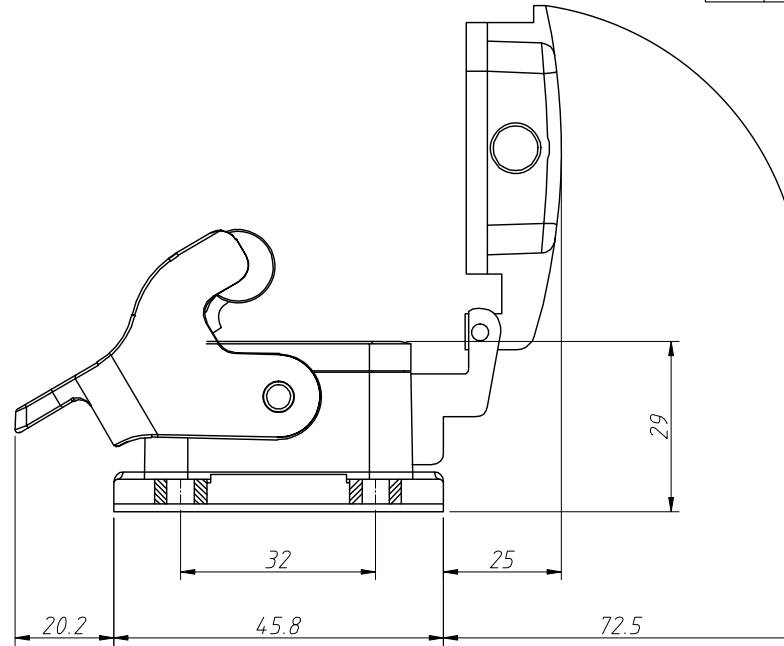
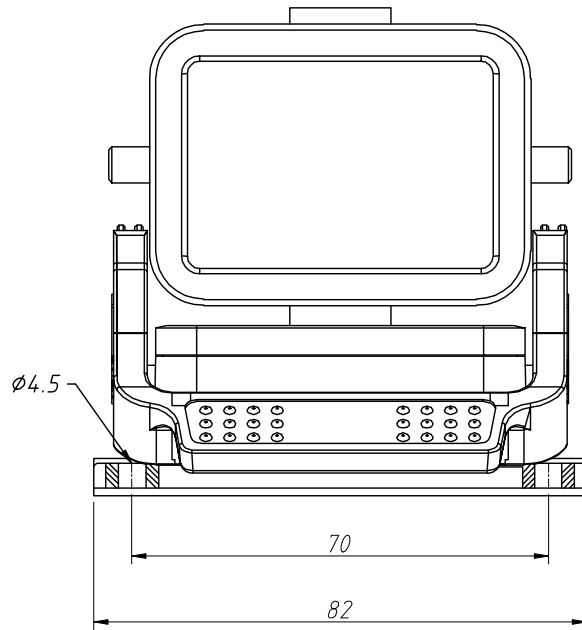


1 RoHS Compliance

REV	SYM	Revision Record	Appr.	Date
V0	KLS01695	New Version Release	Song	2025-06-24

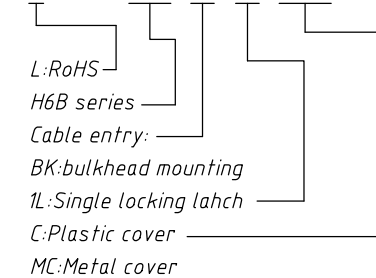


Technical:
 Material
 Body: Aluminium die-cast.
 powder-coated,RAL 7037(grey)
 Cover:PC/Aluminium
 Hoods/Housings sealing:NBR

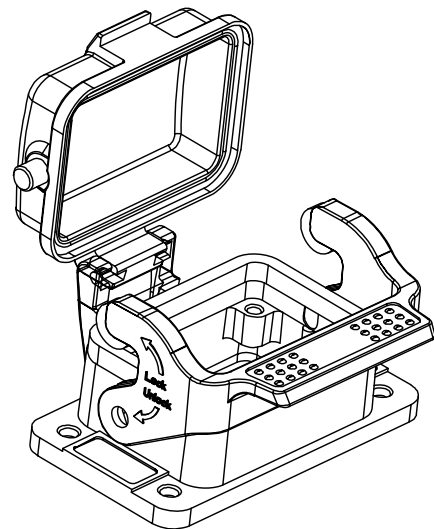
Temperature range:-40°C ~ +125°C
 Degree of protection: IP65
 (acc.to IEC 60529 for coupled connector)
 Cable entry: bottom entry
 Locking element:
 Locking type:single locking latch
 Material: Metal+Plastic

Order Information:

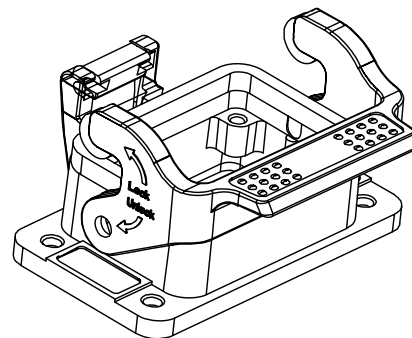
L-KLS1-H6B-BK-1L (XX)



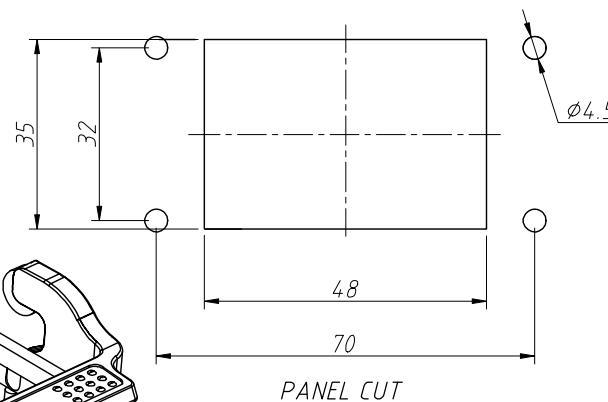
ITEM	Describe
L-KLS1-H6B-BK-1L	Without cover
L-KLS1-H6B-BK-1LC	With Plastic cover
L-KLS1-H6B-BK-1LMC	With Metal cover



With Metal / Plastic cover



Without cover



ANGLE TOLERANCE	PROJECTION	Description:	Heavy Duty Connectors, H6B Series Hood.Bottom entry
±3°			
GENERAL TOLERANCE	UNITS	mm	L-KLS1-H6B-BK-1L(XX)
x.x ±0.30	SHEET SIZE	A4	
x.xx ±0.20	Draw:	Song 2025-06-24	
x.xxx ±0.10	Check:	Daniel 2025-06-24	



NingBo KLS ELECTRONIC CO.,L TD.