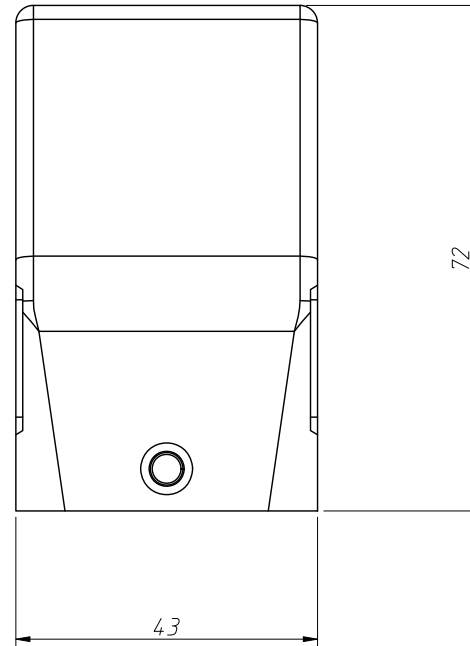
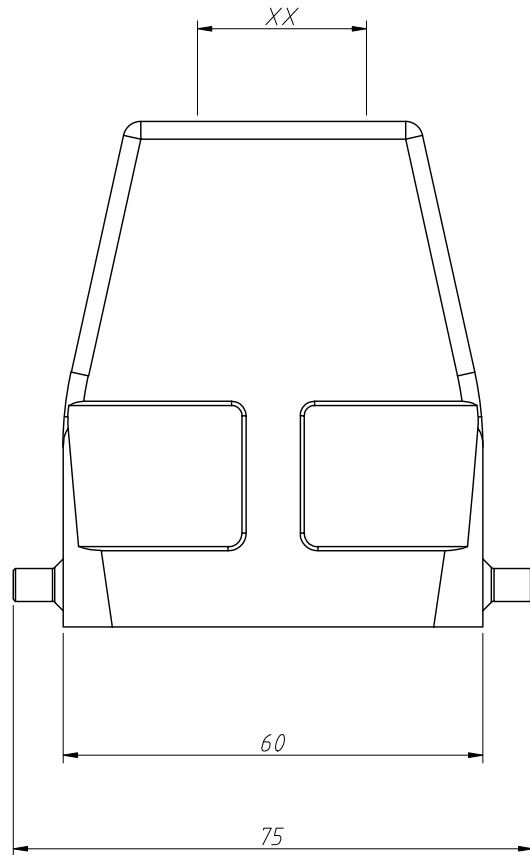


1
RoHS Compliance

6	7	8
REV	SYM	Revision Record
V0	KLS01695	New Version Release
		Appr. Date
		Song 2025-06-25

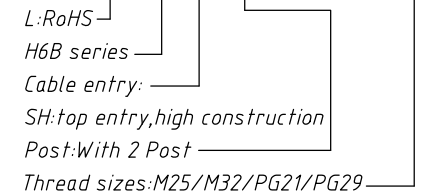


Technical:
Material
Body: Aluminium die-cast.
powder-coated,RAL 7037(grey)

Temperature range:-40°C ~ +125°C
Degree of protection: IP65
(acc.to IEC 60529 for coupled connector)
Cable entry:Top entry
No.of cable entries: 1
Thread size:M25/M32/PG21/PG29

Order Information:

L-KLS1-H6B-SH-2B-XX



ANGLE TOLERANCE	PROJECTION	Description:	Heavy Duty Connectors,Top entry H6B Series Hood,With Thread
±3°			
GENERAL TOLERANCE	UNITS	mm	KLS P/N: L-KLS1-H6B-SH-2B-XX
x.x ±0.30	SHEET SIZE	A4	
x.xx ±0.20	Draw:	Song	2025-06-25
x.xxx ±0.10	Check:	Daniel	2025-06-25



NingBo KLS ELECTRONIC CO.,L TD.