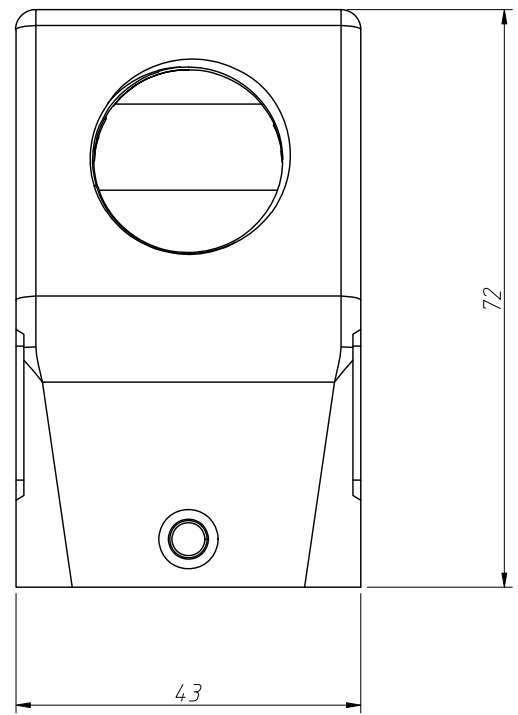
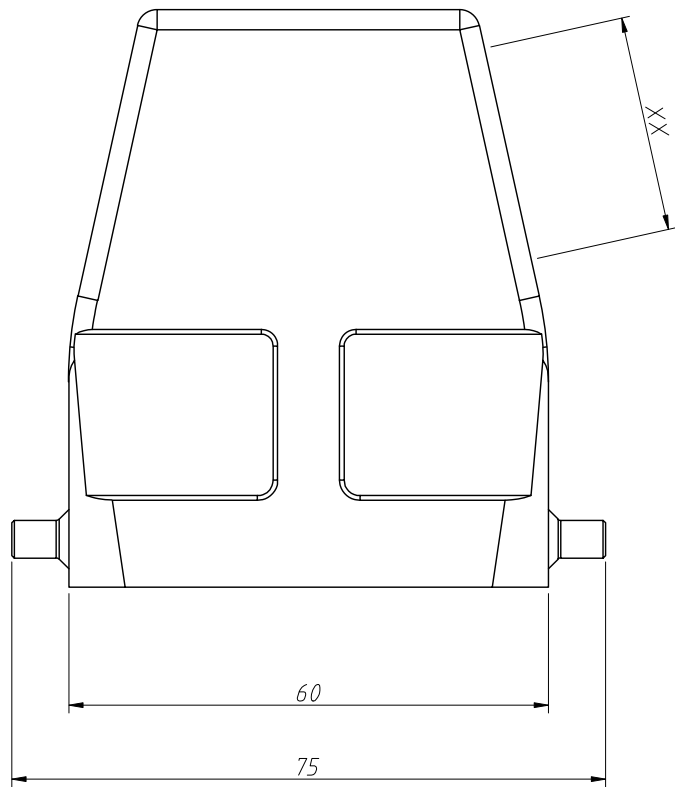


1
RoHS Compliance

| | | | | | |
|-----|----------|---------------------|--|-------|------------|
| 6 | | 7 | | 8 | |
| REV | SYM | Revision Record | | Appr. | Date |
| V0 | KLS01695 | New Version Release | | Song | 2025-06-18 |



Technical:
 Material
 Body: Aluminium die-cast.
 powder-coated,RAL 7037(grey)

Temperature range:-40°C ~ +125°C
 Degree of protection: IP65
 (acc.to IEC 60529 for coupled connector)
 Cable entry:Side entry
 No.of cable entries: 1
 Thread size: M25/M32/PG21/PG29

Order Information:
 L-KLS1-H6B-RH-2B-XX

L:RoHS
 H6B series
 Cable entry:
 RH:side entry,high construction
 Post:With 2 Post
 Thread sizes:M25/M32/PG21/PG29

| | | | | | |
|-------------------|------------|--------------|---|---------------------------------|--|
| ANGLE TOLERANCE | PROJECTION | Description: | Heavy Duty Connectors,side entry H6B Series Hood,With Thread | | |
| ±3° | | | | | |
| GENERAL TOLERANCE | UNITS | mm | KLS P/N: | L-KLS1-H6B-RH-2B-XX | |
| x.x ±0.30 | SHEET SIZE | A4 | | | |
| x.xx ±0.20 | Draw: | Song | 2025-06-18 | NingBo KLS ELECTRONIC CO.,L TD. | |
| x.xxx ±0.10 | Check: | Daniel | 2025-06-18 | | |