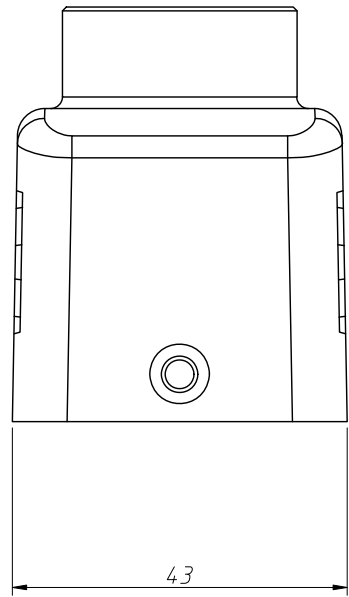
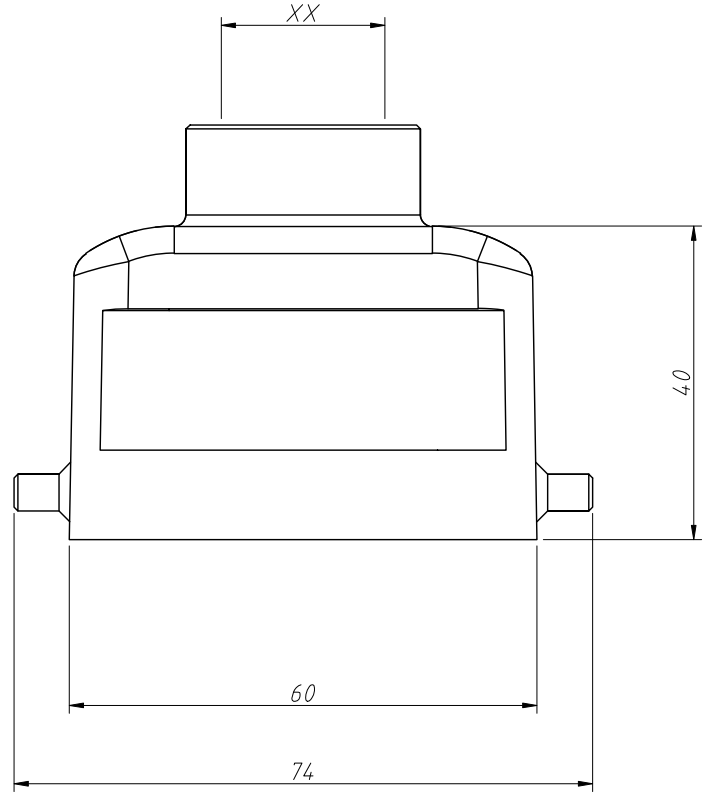


1  
RoHS Compliance

6		7		8	
REV	SYM	Revision Record		Appr.	Date
V0	KLS01695	New Version Release		Song	2025-06-25



Technical:  
 Material  
 Body: Aluminium die-cast.  
 powder-coated,RAL 7037(grey)

Temperature range:-40°C ~ +125°C  
 Degree of protection: IP65  
 (acc.to IEC 60529 for coupled connector)  
 Cable entry:Top entry  
 No.of cable entries: 1  
 Thread size: M20/PG13.5/PG16

Order Information:  
 L-KLS1-H6B-S-2B-XX

L:RoHS  
 H6B series  
 Cable entry:  
 S:top entry  
 Post:With 2 Post  
 Thread sizes:M20/PG13.5/PG16

ANGLE TOLERANCE	PROJECTION	Description:	Heavy Duty Connectors,Top entry H6B Series Hood,With Thread		
±3°					
GENERAL TOLERANCE	UNITS	mm	KLS P/N:	L-KLS1-H6B-S-2B-XX	
x.x ±0.30	SHEET SIZE	A4			
x.xx ±0.20	Draw:	Song	2025-06-25		
x.xxx ±0.10	Check:	Daniel	2025-06-25	NingBo KLS ELECTRONIC CO.,L TD.	