

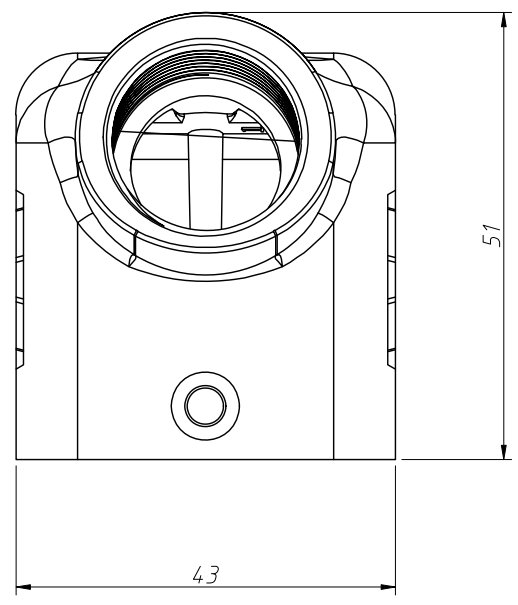
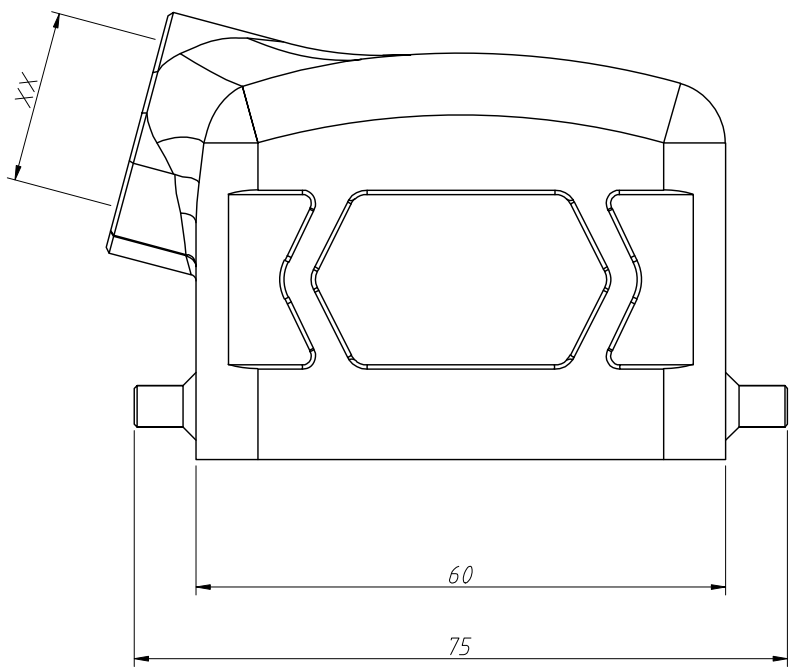
1
RoHS Compliance

| | | | | | |
|-----|----------|---------------------|--|-------|------------|
| 6 | | 7 | | 8 | |
| REV | SYM | Revision Record | | Appr. | Date |
| V0 | KLS01695 | New Version Release | | Song | 2025-06-18 |

Technical:
Material
Body: Aluminium die-cast.
powder-coated,RAL 7037(grey)

Temperature range:-40°C ~ +125°C
Degree of protection: IP65
(acc.to IEC 60529 for coupled connector)
Cable entry:Side entry
No.of cable entries: 1
Thread size: M20/M25/PG13.5/PG16

Order Information:
L-KLS1-H6B-R-2B-XX
L:RoHS
H6B series
Cable entry:
R:side entry
Post:With 2 Post
Thread sizes:
M20/M25/PG13.5/PG16



| | | | | | |
|-------------------|------------|--|-----------------------------|---------------------------------|--|
| ANGLE TOLERANCE | PROJECTION | Description: Heavy Duty Connectors,side entry H6B Series Hood,With Thread | | | |
| ±3° | | | | | |
| GENERAL TOLERANCE | UNITS | mm | KLS P/N: L-KLS1-H6B-R-2B-XX | | |
| x.x ±0.30 | SHEET SIZE | A4 | | | |
| x.xx ±0.20 | Draw: | Song | 2025-06-18 | NingBo KLS ELECTRONIC CO.,L TD. | |
| x.xxx ±0.10 | Check: | Daniel | 2025-06-18 | | |