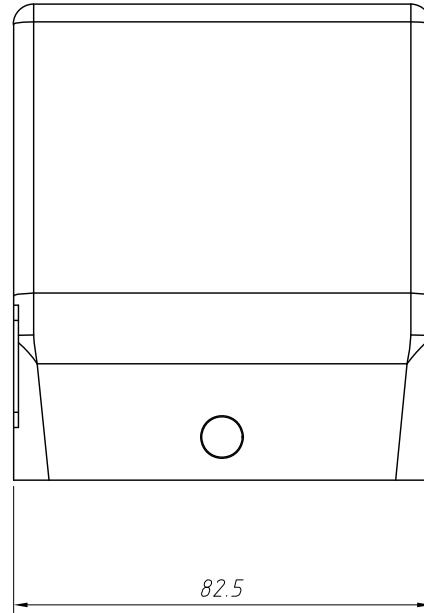
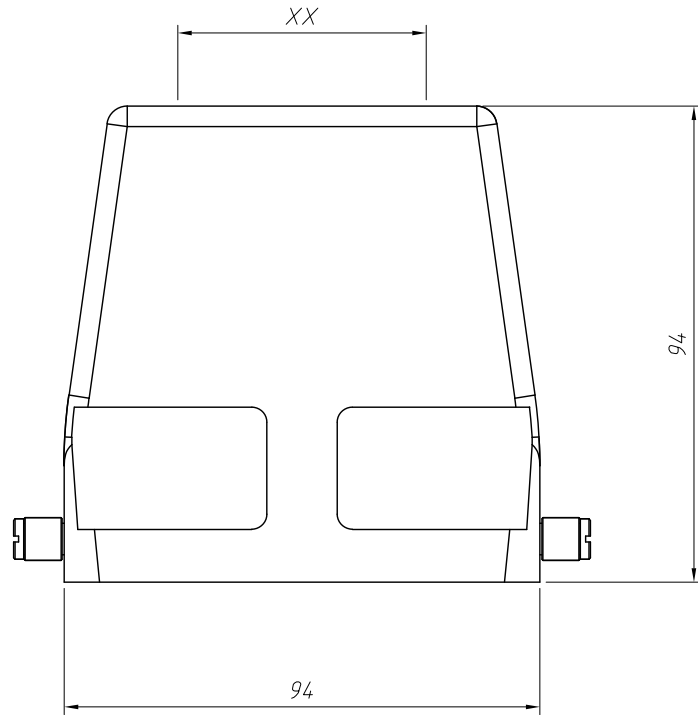


RoHS Compliance

REV	SYM	Revision Record	Appr.	Date
V0	KLS01695	New Version Release	WuHao	2025-07-05



Material:
 Housing: Aluminium Die-Cast, UL 94 V-0
 Surface: Powder-Coated
 Colour: RAL 7037 (Grey)
 Temperatures range: $-40^{\circ}\text{C} \sim +125^{\circ}\text{C}$
 Degree of protection: IP65
 (Acc. to IEC 60529 for coupled Connector)
 Cable Entry: Top Entry
 No. of Cable Entries: 1

Order Information:

L-KLS1-H32B-S-2B-XX

L:RoHS

H32B series

Cable Entry: Top Entry

Post: With 2 Post

Thread Sizes:

M32/M40/M50/PG29/PG36/PG42

ANGLE TOLERANCE	PROJECTION	Description:
$\pm 3^{\circ}$		Heavy Duty Connectors H32B Series Hoods, Top Entry
GENERAL TOLERANCE	UNITS	mm
x.x ± 0.30	SHEET SIZE	A4
x.xx ± 0.20	Draw:	WuHao 2025-07-05
x.xxx ± 0.10	Check:	Daniel 2025-07-05



NingBo KLS ELECTRONIC CO.,L TD.