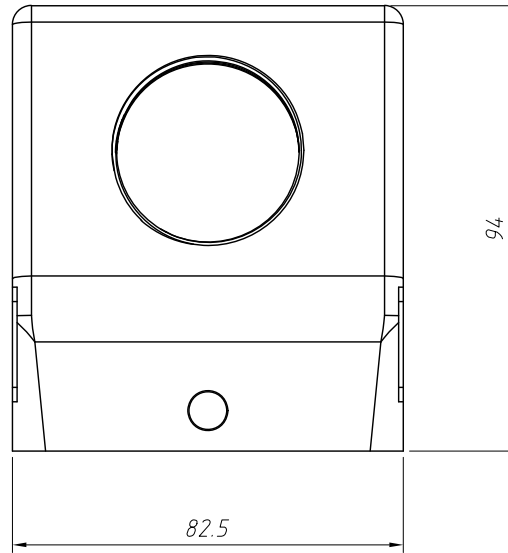
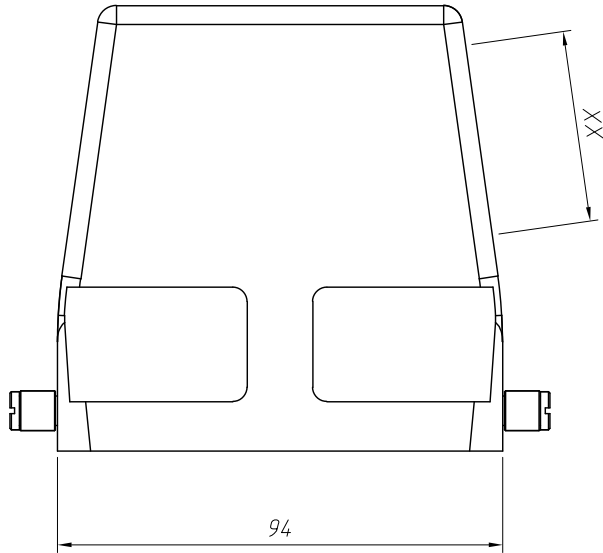


RoHS Compliance

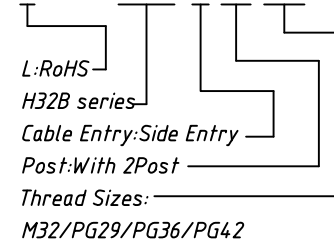
REV	SYM	Revision Record	Appr.	Date
V0	KLS01695	New Version Release	WuHao	2025-07-05



Material:
 Housing: Aluminium Die-Cast, UL 94 V-0
 Surface: Powder-Coated
 Colour: RAL 7037 (Grey)
 Temperatures range: $-40^{\circ}\text{C} \sim +125^{\circ}\text{C}$
 Degree of protection: IP65
 (Acc. to IEC 60529 for coupled Connector)
 Cable Entry: Side Entry
 No. of Cable Entries: 1

Order Information:

L-KLS1-H32B-R-2B-XX



ANGLE TOLERANCE	PROJECTION	Description:	Heavy Duty Connectors	
$\pm 3^{\circ}$			H32B Series Hoods, Side Entry	
GENERAL TOLERANCE	UNITS	mm	KLS P/N:	L-KLS1-H32B-R-2B-XX
x.x ± 0.30	SHEET SIZE	A4		
x.xx ± 0.20	Draw:	WuHao	2025-07-05	NingBo KLS ELECTRONIC CO.,L TD.
x.xxx ± 0.10	Check:	Daniel	2025-07-05	