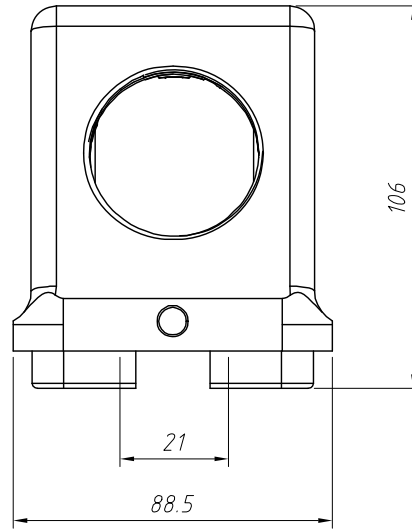
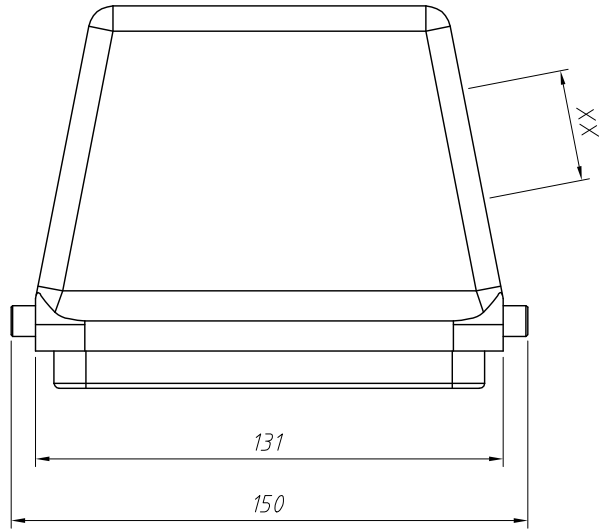


RoHS Compliance

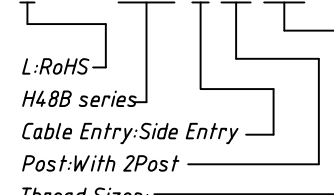
REV	SYM	Revision Record	Appr.	Date
V0	KLS01695	New Version Release	WuHao	2025-07-05



Material:  
 Housing: Aluminium Die-Cast, UL 94 V-0  
 Surface: Powder-Coated  
 Colour: RAL 7037 (Grey)  
 Temperatures range: -40°C ~ +125°C  
 Degree of protection: IP65  
 (Acc. to IEC 60529 for coupled Connector)  
 Cable Entry: Side Entry  
 No. of Cable Entries: 1

Order Information:

L-KLS1-H48B-R-2B-XX



Thread Sizes:  
 M32/M40/M50/PG29/PG36/PG42

ANGLE TOLERANCE	PROJECTION	Description:	Heavy Duty Connectors	
±3°			H48B Series Hoods, Side Entry	
GENERAL TOLERANCE	UNITS	mm	KLS P/N:	L-KLS1-H48B-R-2B-XX
x.x ±0.30	SHEET SIZE	A4		
x.xx ±0.20	Draw:	WuHao	2025-07-05	
x.xxx ±0.10	Check:	Daniel	2025-07-05	

**KLS** NingBo KLS ELECTRONIC CO.,L TD.