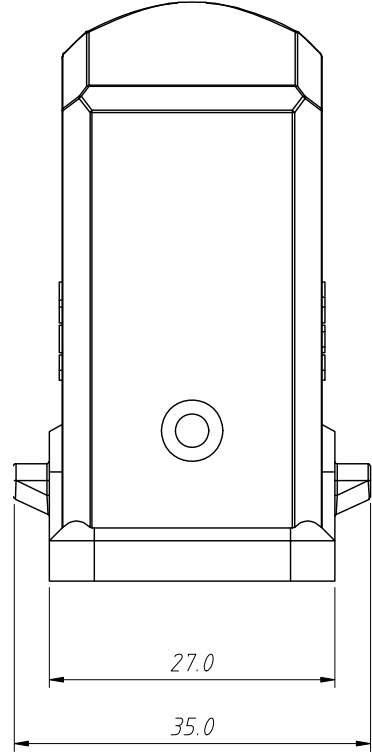
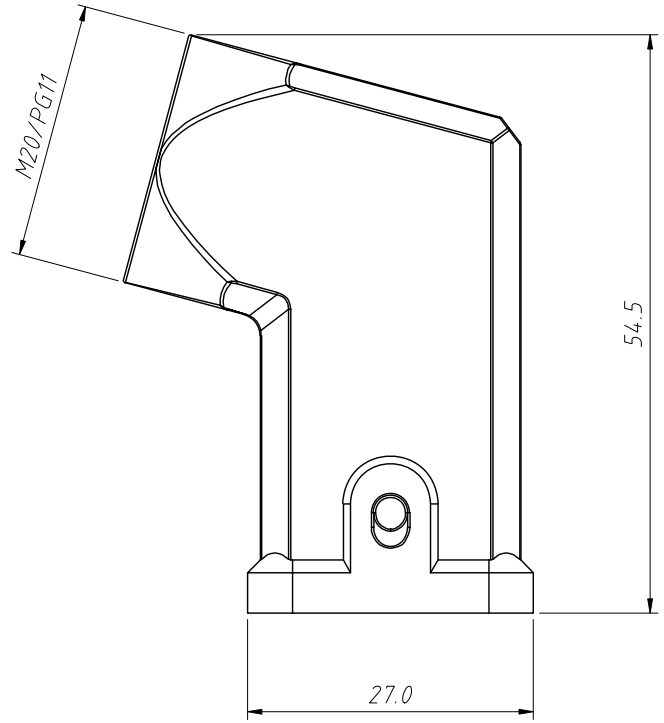


1  
RoHS Compliance

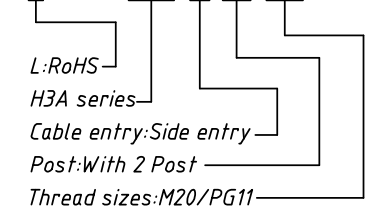
6		7		8	
REV	SYM	Revision Record		Appr.	Date
V0	KLS01695	New Version Release		Jenny	2025-06-23



Material:  
 Housing: Zinc die-cast, Powder-coated  
 Colour: RAL 7037 (grey)  
 Temperatures range: -40°C ~ +125°C  
 Degree of protection: IP65  
 Cable entry: Side entry  
 No. of cable entries: 1  
 Thread size: M20/PG11

Order Information:

L-KLS1-H3A-R-2B-XX



ANGLE TOLERANCE	PROJECTION	Description:			
±3°		Heavy Duty Connectors H3A Series Hoods, Side entry			
GENERAL TOLERANCE	UNITS	mm	KLS P/N:		
x.x ±0.30	SHEET SIZE	A4	L-KLS1-H3A-R-2B-XX		
x.xx ±0.20	Draw:	Jenny	2025-06-23	NingBo KLS ELECTRONIC CO.,L TD.	
x.xxx ±0.10	Check:	Daniel	2025-06-23		