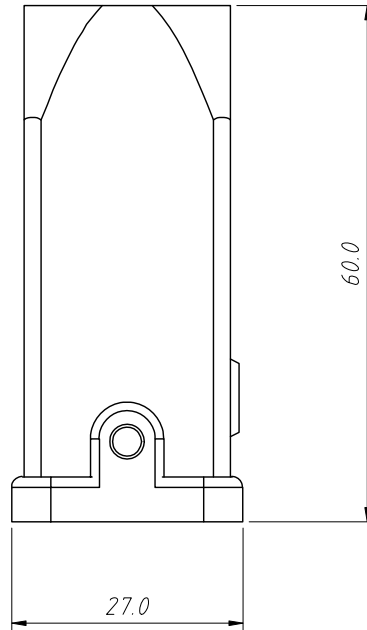
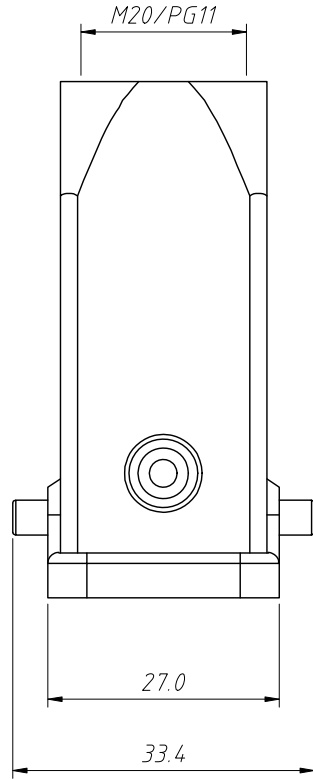


1
RoHS Compliance

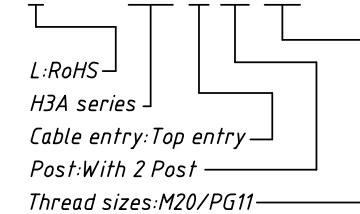
6		7		8	
REV	SYM	Revision Record		Appr.	Date
V0	KLS01695	New Version Release		Jenny	2025-06-23



Material:
 Housing: Zinc die-cast, Powder-coated
 Colour: RAL 7037 (grey)
 Temperatures range: $-40^{\circ}\text{C} \sim +125^{\circ}\text{C}$
 Degree of protection: IP65
 Cable entry: Top entry
 No. of cable entries: 1
 Thread size: M20/PG11

Order Information:

L-KLS1-H3A-S-2B-XX



ANGLE TOLERANCE	PROJECTION		Description:	Heavy Duty Connectors H3A Series Hoods, Top entry
$\pm 3^{\circ}$				
GENERAL TOLERANCE	UNITS	mm	KLS P/N:	L-KLS1-H3A-S-2B-XX
x.x ± 0.30	SHEET SIZE	A4		NingBo KLS ELECTRONIC CO.,L TD.
x.xx ± 0.20	Draw:	Jenny	2025-06-23	
x.xxx ± 0.10	Check:	Daniel	2025-06-23	