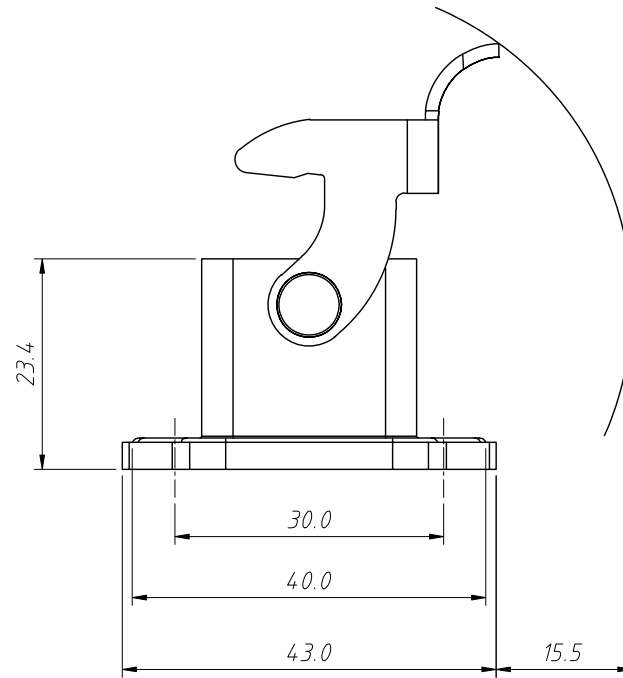
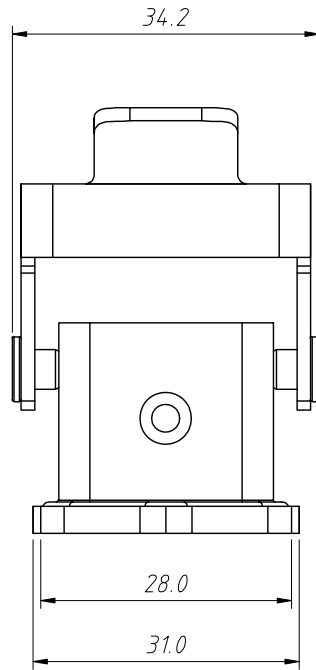
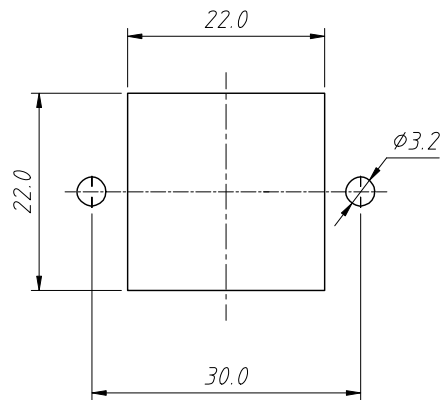


1
RoHS Compliance

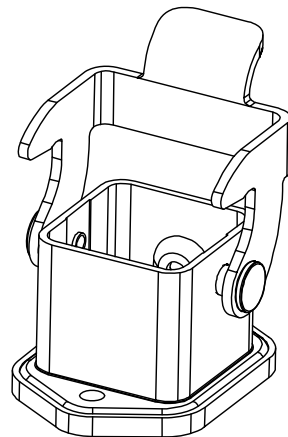
REV	SYM	Revision Record	Appr.	Date
V0	KLS01695	New Version Release	Jenny	2025-06-23



Material:
 Housing: Zinc die-cast, Powder-coated
 Colour: RAL 7037 (grey)
 Temperatures range: $-40^{\circ}\text{C} \sim +125^{\circ}\text{C}$
 Degree of protection: IP65
 Cable entry: Bottom entry
 Locking type: Single Locking Latch
 Lock catch material: Steel lever, Zinc plated



Panel cut out



Order Information:
L-KLS1-H3A-BK-1L
 L:RoHS
 H3A series
 Type Hoods:
 Bulkhead mounting
 Locking type:
 1 (single) Locking Latch

ANGLE TOLERANCE	PROJECTION	Description:
$\pm 3^{\circ}$		Heavy Duty Connectors H3A Series Hoods, Bulkhead mounting
GENERAL TOLERANCE	UNITS	mm
x.x ± 0.30	SHEET SIZE	A4
x.xx ± 0.20	Draw:	Jenny 2025-06-23
x.xxx ± 0.10	Check:	Daniel 2025-06-23



NingBo KLS ELECTRONIC CO.,L TD.