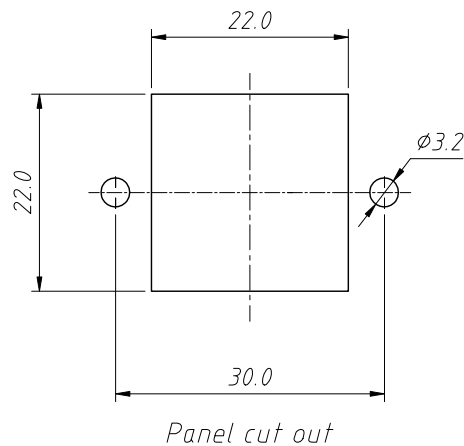
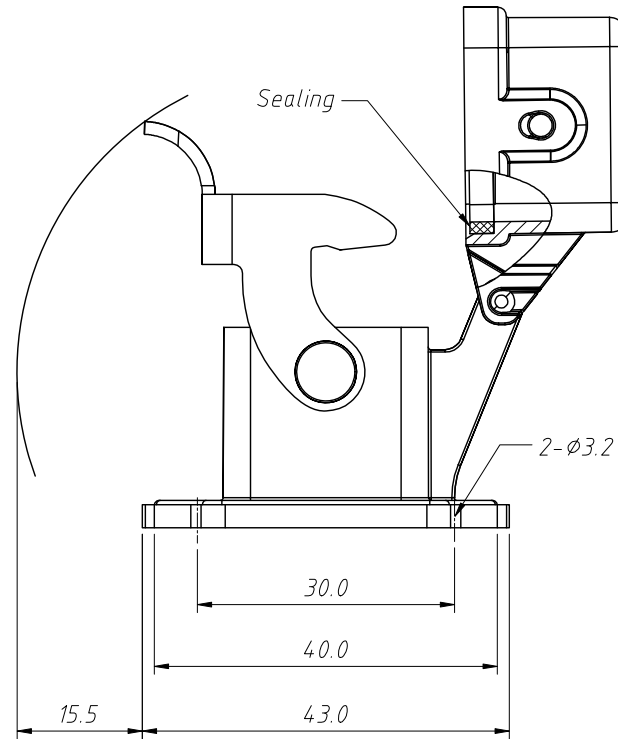
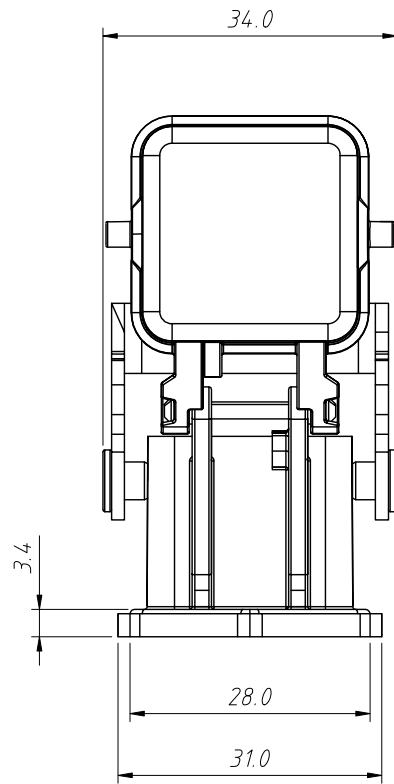


1 RoHS Compliance

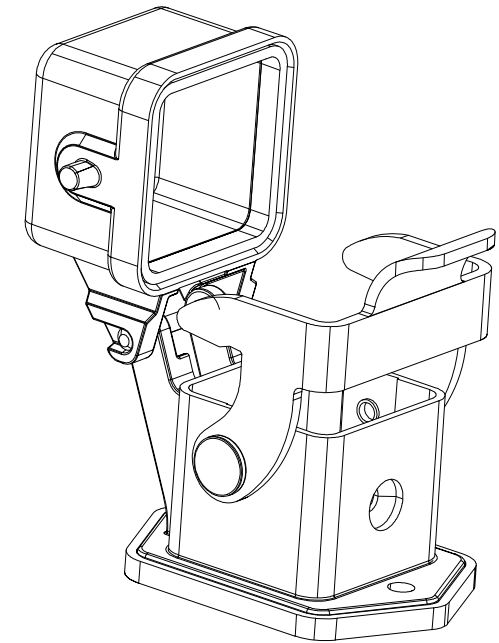
6	7	8		
REV	SYM	Revision Record	Appr.	Date
V0	KLS01695	New Version Release	Jenny	2025-07-05



Order Information:
L-KLS1-H3A-BK-1L-MC-X

- L:RoHS
- H3A series
- Type Hoods:
- Bulkhead mounting
- Locking type:
- 1 (single) Locking Latch
- With metal cover
- M=For Male Insetr
- F=For Female Insetr

Material:
 Housing: Zinc die-cast, Powder-coated
 Colour: RAL 7037 (grey)
 Temperatures range: -40°C ~ +125°C
 Degree of protection: IP65
 Cable entry: Bottom entry
 Locking type: Single Locking Latch
 Lock catch material: Iron, Zinc plated



ANGLE TOLERANCE	PROJECTION	Description:	Heavy Duty Connectors
±3°			H3A Series Hoods, Bulkhead mounting
GENERAL TOLERANCE	UNITS	mm	KLS P/N:
x.x ±0.30	SHEET SIZE	A4	L-KLS1-H3A-BK-1L-MC-X
x.xx ±0.20	Draw:	Jenny	2025-07-05
x.xxx ±0.10	Check:	Daniel	2025-07-05



NingBo KLS ELECTRONIC CO.,L TD.