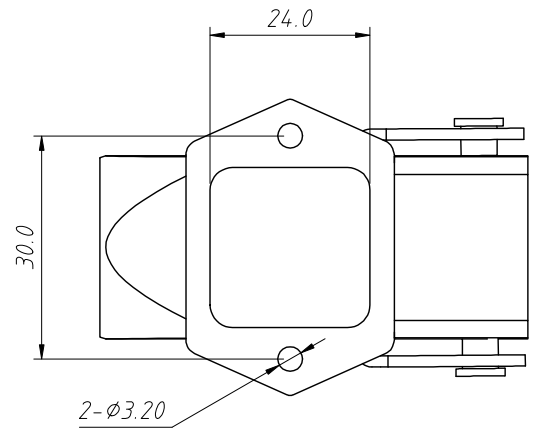
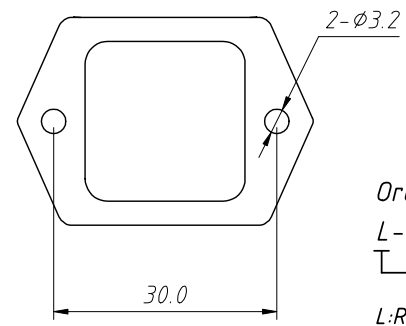
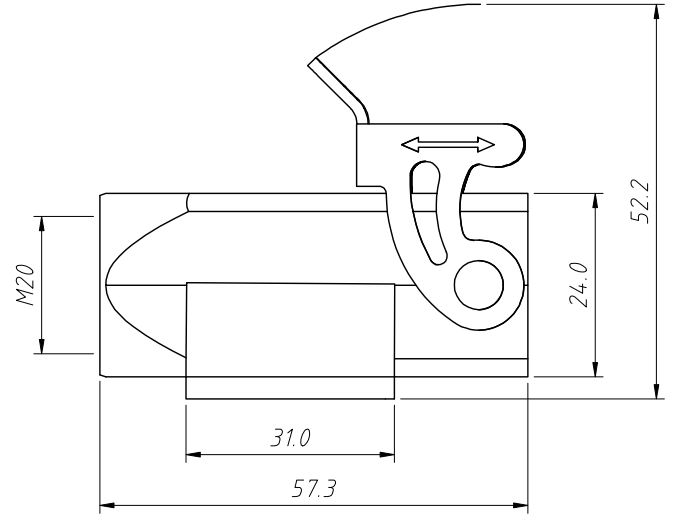
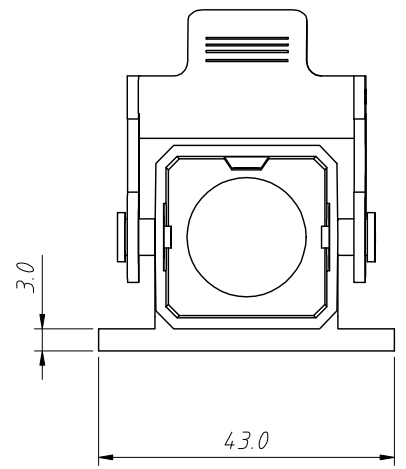


1  
RoHS Compliance

7		8		
REV	SYM	Revision Record	Appr.	Date
V0	KLS01695	New Version Release	Jenny	2025-07-01

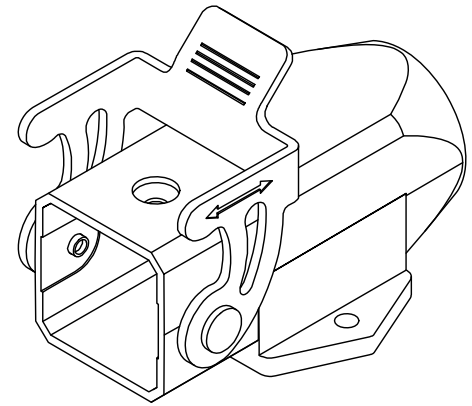


Material:  
 Housing: Zinc die-cast, Powder-coated  
 Colour: RAL 7037 (grey)  
 Temperatures range: -40°C ~ +125°C  
 Degree of protection: IP65  
 Locking element:  
 Locking type: Single locking latch  
 Material: Steel lever with zinc plated  
 Cable entry: Side entry  
 No. of cable entries: 1  
 Thread size: M20/PG11/PG13.5



Order Information:  
**L-KLS1-H3A-SF-1L-XX**

- L: RoHS
- H3A series
- Type Hoods: Surface mounting
- Locking type: 1 (single) Locking Latch
- Thread sizes: M20 / PG11 / PG13.5



ANGLE TOLERANCE	PROJECTION	Description:	Heavy Duty Connectors H3A Series Hoods, Surface mounting, With lock catch
±3°			
GENERAL TOLERANCE	UNITS	mm	KLS P/N: L-KLS1-H3A-SF-1L-XX
x.x ±0.30	SHEET SIZE	A4	
x.xx ±0.20	Draw:	Jenny	2025-07-01
x.xxx ±0.10	Check:	Daniel	2025-07-01

