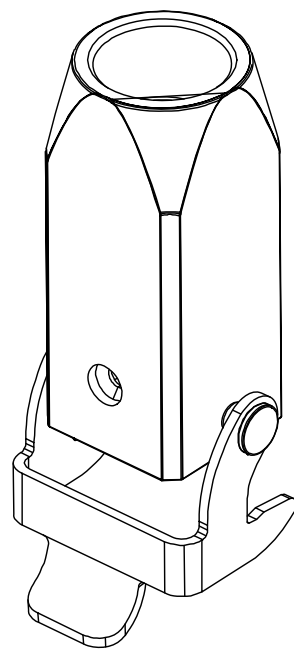
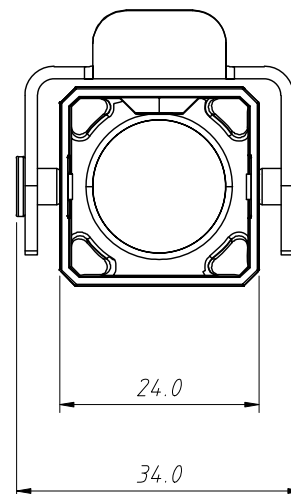
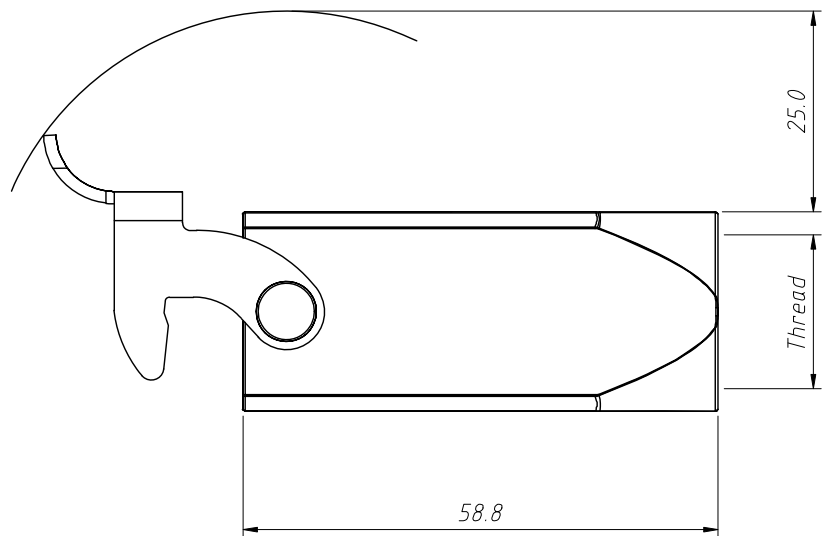


1
RoHS Compliance

6	7	8
REV	SYM	Revision Record
V0	KLS01695	New Version Release
Appr.	Jenny	Date
		2025-07-05

Material:
 Housing: Zinc die-cast, Powder-coated
 Colour: RAL 7037 (grey)
 Temperatures range: -40°C ~ +125°C
 Degree of protection: IP65
 Locking element:
 Locking type: Single locking latch
 Material: Iron, zinc plated
 Cable entry: Top entry
 No. of cable entries: 1

Order Information:
L-KLS1-H3A-ST-1L-XX
 L: RoHS
 H3A series
 Kind of entry: cable to cable
 Locking type: 1 (single) Locking Latch
 Thread sizes: M20 / PG11



ANGLE TOLERANCE	PROJECTION	Description:	Heavy Duty Connectors H3A Series Hoods, cable to cable, With lock catch
±3°			
GENERAL TOLERANCE	UNITS	mm	KLS P/N: L-KLS1-H3A-ST-1L-XX
x.x ±0.30	SHEET SIZE	A4	
x.xx ±0.20	Draw:	Jenny	2025-07-05
x.xxx ±0.10	Check:	Daniel	2025-07-05



NingBo KLS ELECTRONIC CO., L TD.