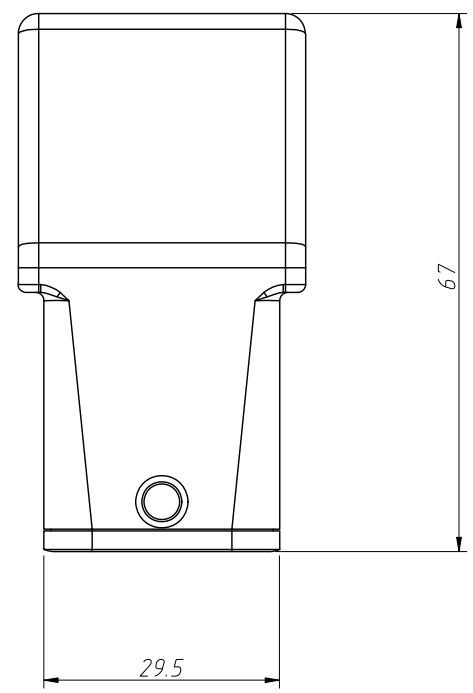
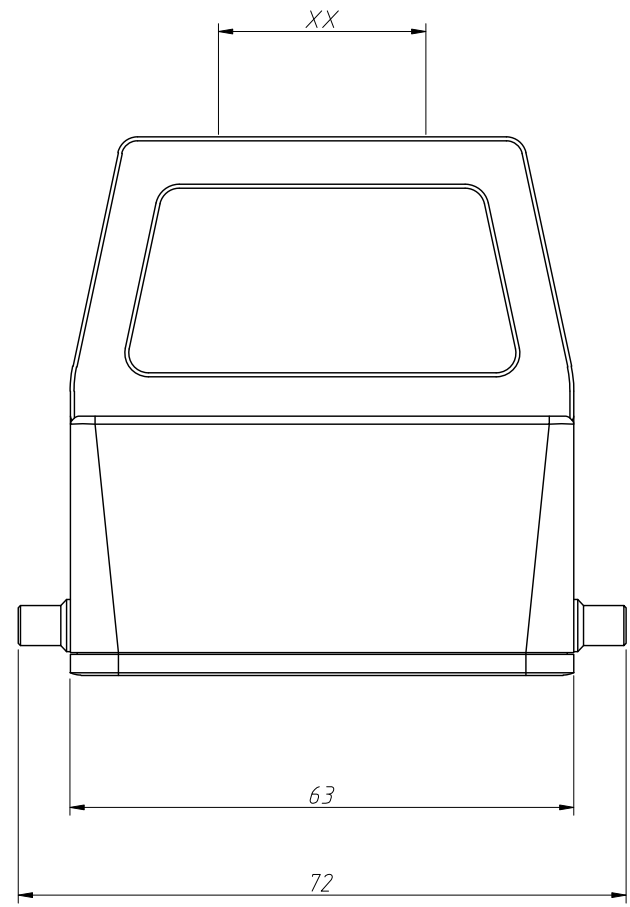


1
RoHS Compliance

6		7		8	
REV	SYM	Revision Record		Appr.	Date
V0	KLS01695	New Version Release		Song	2025-06-17

A
B
C
D
E
F
G
H



Technical:
 Material
 Body: Aluminium die-cast.
 powder-coated,RAL 7037(grey)
 Hoods/Housings sealing:NBR
 Temperature range:-40°C ~ +125°C
 Degree of protection: IP65
 (acc.to IEC 60529 for coupled connector)
 Cable entry:top entry
 No.of cable entries: 1
 Thread size: M25/PG16/PG21

Order Information:
 L-KLS1-H10A-SH-2B-XX
 L:RoHS
 H10A series
 Cable entry:
 SH:top entry,high construction
 Post:With 2 Post
 Thread sizes:M25/PG16/PG21

ANGLE TOLERANCE	PROJECTION	Description: Heavy Duty Connectors,top entry H10A Series Hood,With Thread			
±3°					
GENERAL TOLERANCE	UNITS	mm	KLS P/N: L-KLS1-H10A-SH-2B-XX		
x.x ±0.30	SHEET SIZE	A4			
x.xx ±0.20	Draw:	Song	2025-06-17	NingBo KLS ELECTRONIC CO.,L TD.	
x.xxx ±0.10	Check:	Daniel	2025-06-17		

1 2 3 4 5 6 7 8