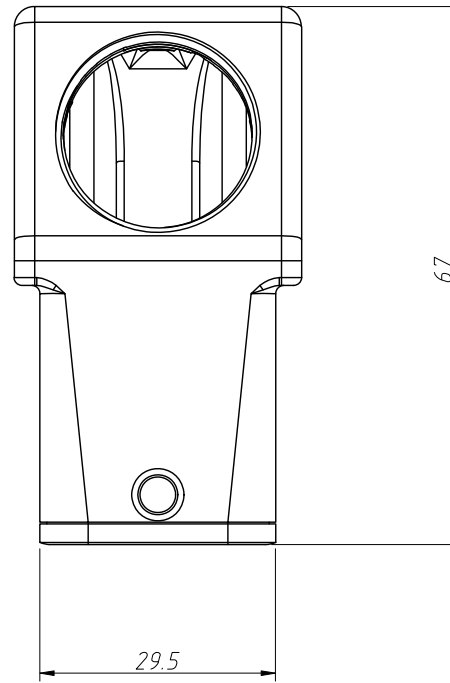
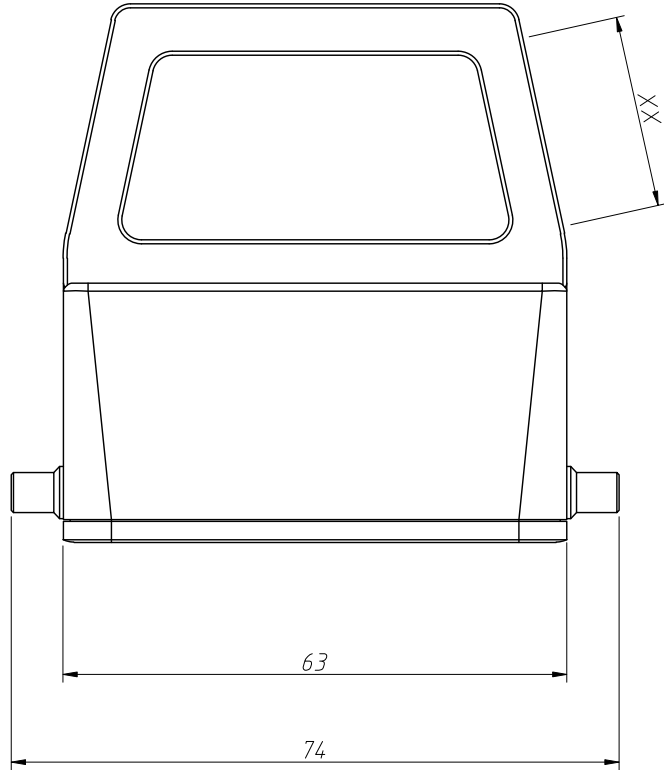


1  
RoHS Compliance

|     |          |                     |
|-----|----------|---------------------|
| 6   | 7        | 8                   |
| REV | SYM      | Revision Record     |
| V0  | KLS01695 | New Version Release |
|     |          | Appr. Song          |
|     |          | Date 2025-06-17     |

Technical:  
 Material  
 Body: Aluminium die-cast.  
 powder-coated,RAL 7037(grey)  
 Hoods/Housings sealing:NBR  
 Temperature range:-40°C ~ +125°C  
 Degree of protection: IP65  
 (acc.to IEC 60529 for coupled connector)  
 Cable entry:Side entry  
 No.of cable entries: 1  
 Thread size: M25/PG16/PG21

Order Information:  
 L-KLS1-H10A-RH-2B-XX  
 L:RoHS  
 H10A series  
 Cable entry:  
 RH:side entry,high construction  
 Post:With 2 Post  
 Thread sizes:M25/PG16/PG21



|                   |            |              |  |
|-------------------|------------|--------------|--|
| ANGLE TOLERANCE   | PROJECTION | Description: | Heavy Duty Connectors,side entry<br>H10A Series Hood,With Thread |
| ±3°               |            |              |  |
| GENERAL TOLERANCE | UNITS      | mm           | KLS P/N: L-KLS1-H10A-RH-2B-XX                                    |
| x.x ±0.30         | SHEET SIZE | A4           | NingBo KLS ELECTRONIC CO.,L TD.                                  |
| x.xx ±0.20        | Draw:      | Song         |  |
| x.xxx ±0.10       | Check:     | Daniel       |  |