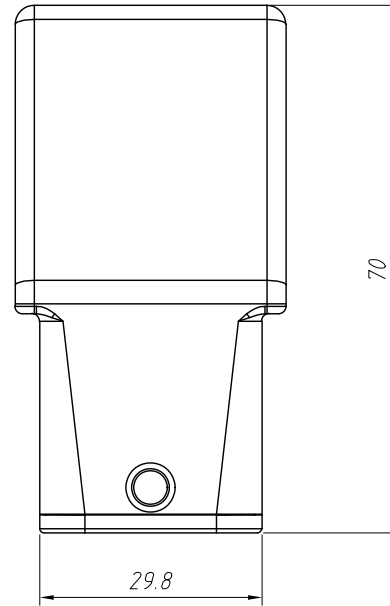
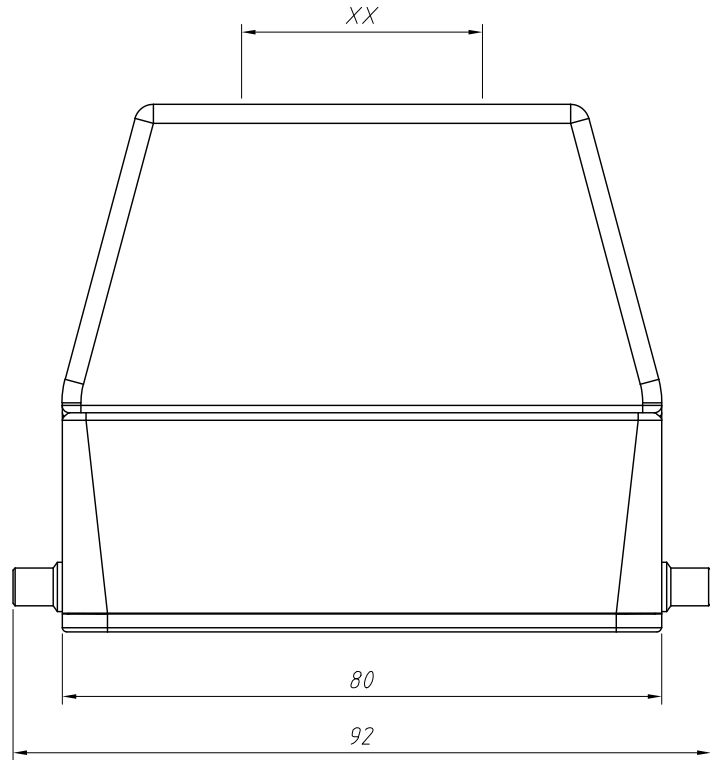


1  
RoHS Compliance

7		8	
REV	SYM	Revision Record	Appr. Date
V0	KLS01695	New Version Release	WuHao 2025-06-26



Material:  
 Housing: Aluminium Die-Cast, UL 94 V-0  
 Surface: Powder-Coated  
 Colour: RAL 7037 (Grey)  
 Temperatures range: -40°C ~ +125°C  
 Degree of protection: IP65  
 (Acc. to IEC 60529 for coupled Connector)  
 Cable Entry: Top Entry, High Construction  
 No. of Cable Entries: 1  
 Hoods/Housings Sealing: NBR

Order Information:  
 L-KLS1-H16A-SH-2B-XX  
 L:RoHS  
 H16A series  
 Cable Entry: Top Entry  
 High Construction  
 Post: With 2Post  
 Thread Sizes: M25/PG16/PG21

ANGLE TOLERANCE	PROJECTION	Description:	Heavy Duty Connectors
±3°			H16A Series Hoods, Top Entry, High Construction
GENERAL TOLERANCE	UNITS	mm	KLS P/N: L-KLS1-H16A-SH-2B-XX
x.x ±0.30	SHEET SIZE	A4	NingBo KLS ELECTRONIC CO.,LTD.
x.xx ±0.20	Draw:	WuHao 2025-06-26	
x.xxx ±0.10	Check:	Daniel 2025-06-26	