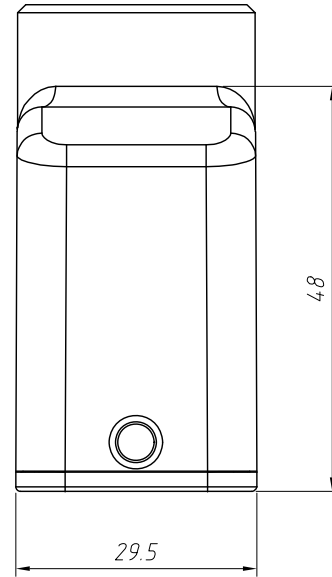
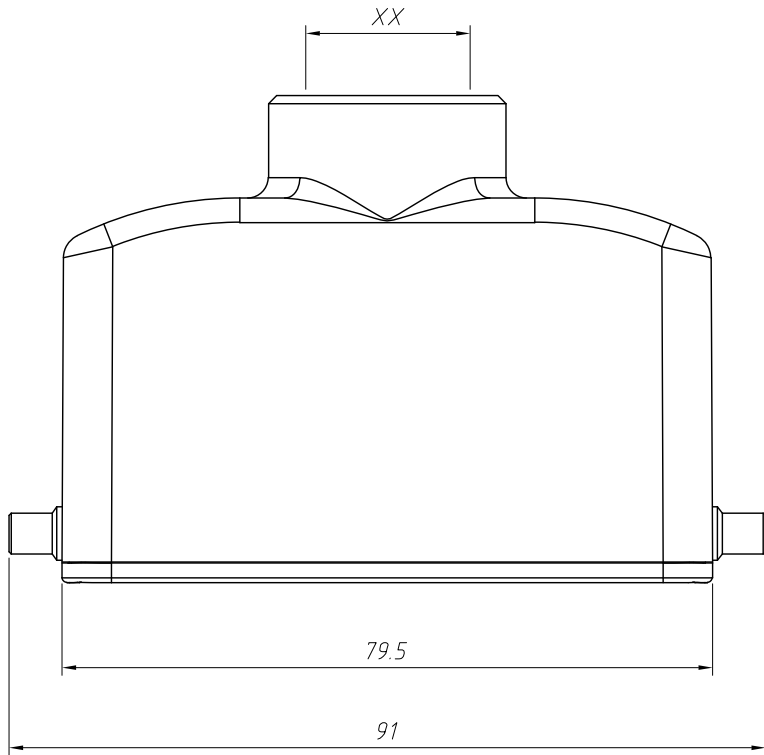


RoHS Compliance

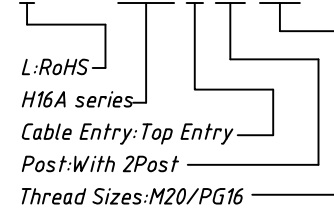
REV	SYM	Revision Record	Appr.	Date
V0	KLS01695	New Version Release	WuHao	2025-06-26



Material:
 Housing:Aluminium Die-Cast,UL 94 V-0
 Surface:Powder-Coated
 Colour:RAL 7037 (Grey)
 Temperatures range:-40°C ~ +125°C
 Degree of protection: IP65
 (Acc.to IEC 60529 for coupled Connector)
 Cable Entry:Top Entry
 No.of Cable Entries:1
 Hoods/Housings Sealing:NBR

Order Information:

L-KLS1-H16A-S-2B-XX



ANGLE TOLERANCE	PROJECTION	Description:	Heavy Duty Connectors	
±3°			H16A Series Hoods,Side Entry	
GENERAL TOLERANCE	UNITS	mm	KLS P/N:	L-KLS1-H16A-S-2B-XX
x.x ±0.30	SHEET SIZE	A4		
x.xx ±0.20	Draw:	WuHao	2025-06-26	
x.xxx ±0.10	Check:	Daniel	2025-06-26	

NingBo KLS ELECTRONIC CO.,LTD.