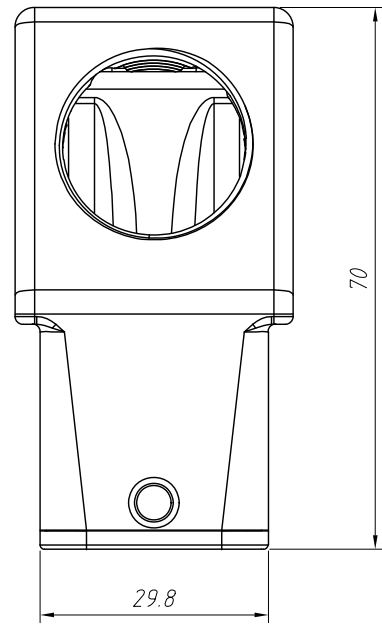
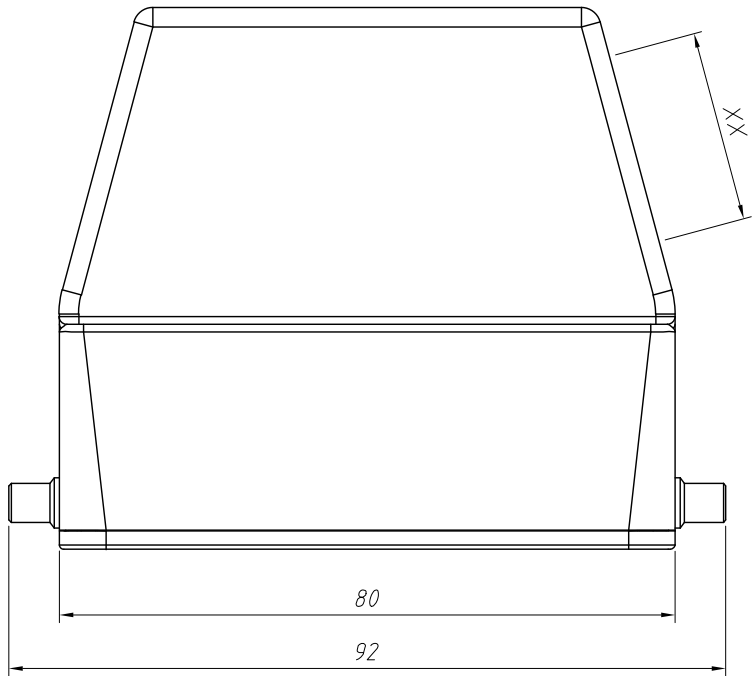


1
RoHS Compliance

| | | | |
|-----|----------|---------------------|------------------|
| 7 | | 8 | |
| REV | SYM | Revision Record | Appr. Date |
| V0 | KLS01695 | New Version Release | WuHao 2025-06-26 |



Material:
 Housing:Aluminium Die-Cast,UL 94 V-0
 Surface:Powder-Coated
 Colour:RAL 7037 (Grey)
 Temperatures range:-40°C~+125°C
 Degree of protection: IP65
 (Acc.to IEC 60529 for coupled Connector)
 Cable Entry:Side Entry,High Construction
 No.of Cable Entries:1
 Hoods/Housings Sealing:NBR

Order Information:
L-KLS1-H16A-RH-2B-XX
 L:RoHS
 H16A series
 Cable Entry:Side Entry
 High Construction
 Post:With 2Post
 Thread Sizes:M25/PG16/PG21

| | | | |
|-------------------|------------|--|--------------------------------|
| ANGLE TOLERANCE | PROJECTION | Description: | Heavy Duty Connectors |
| ±3° | | H16A Series Hoods,Side Entry,High Construction | |
| GENERAL TOLERANCE | UNITS | mm | KLS P/N: L-KLS1-H16A-RH-2B-XX |
| x.x ±0.30 | SHEET SIZE | A4 | NingBo KLS ELECTRONIC CO.,LTD. |
| x.xx ±0.20 | Draw: | WuHao 2025-06-26 | |
| x.xxx ±0.10 | Check: | Daniel 2025-06-26 | |