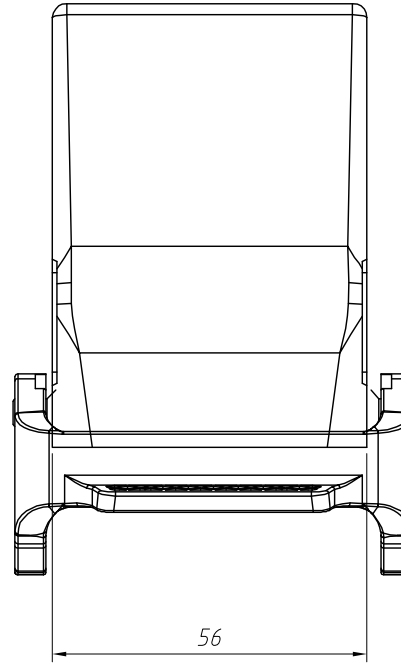
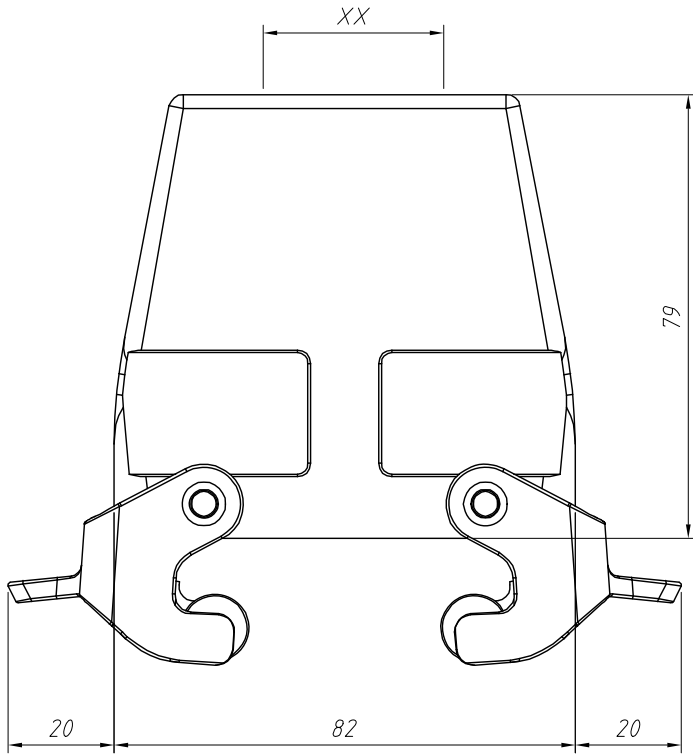


RoHS Compliance

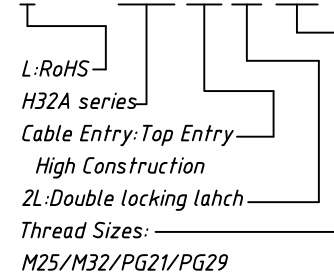
REV	SYM	Revision Record	Appr.	Date
V0	KLS01695	New Version Release	WuHao	2025-07-05



Material:
 Housing: Aluminium Die-Cast, UL 94 V-0
 Surface: Powder-Coated
 Colour: RAL 7037 (Grey)
 Temperatures range: -40°C ~ +125°C
 Degree of protection: IP65
 (Acc. to IEC 60529 for coupled Connector)
 Locking Element:
 Locking Type: Double locking latch
 Material: Stainless Steel + TPR
 Cable Entry: Top Entry, High Construction
 No. of Cable Entries: 1

Order Information:

L-KLS1-H32A-SH-2L-XX



ANGLE TOLERANCE	PROJECTION	Description:	Heavy Duty Connectors
±3°		H32A Series Hoods, Top Entry, High Construction	
GENERAL TOLERANCE	UNITS	mm	KLS P/N: L-KLS1-H32A-SH-2L-XX
x.x ±0.30	SHEET SIZE	A4	
x.xx ±0.20	Draw:	WuHao	2025-07-05
x.xxx ±0.10	Check:	Daniel	2025-07-05



NingBo KLS ELECTRONIC CO.,LTD.