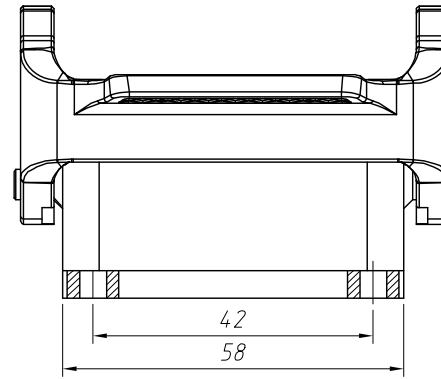
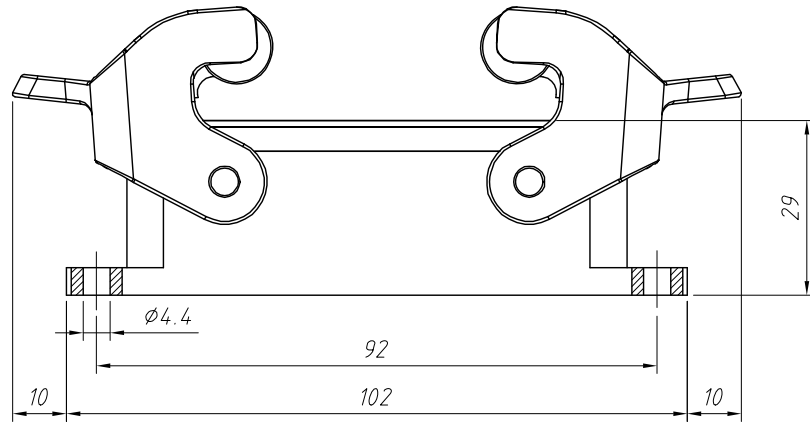
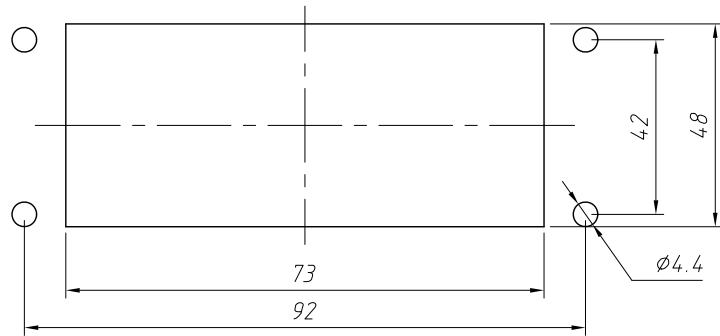


RoHS Compliance

REV	SYM	Revision Record	Appr.	Date
V0	KLS01695	New Version Release	WuHao	2025-07-05



Material:  
 Housing: Aluminium Die-Cast, UL 94V-0  
 Surface: Powder-Coated  
 Colour: RAL 7037 (Grey)  
 Temperatures range:  $-40^{\circ}\text{C} \sim +125^{\circ}\text{C}$   
 Degree of protection: IP65  
 (Acc. to IEC 60529 for coupled Connector)  
 Locking Element:  
 Locking Type: Double Locking Latch  
 Material: Stainless Steel + TPE  
 Hoods/Housings Sealing: NBR  
 Cable Entry: Bottom Entry



Panel Hole Diagram

Order Information:

L-KLS1-H32A-BK-2L

L:RoHS

H32A series

Cable entry:

BK: Bulkhead Mounting

2L: Double locking latch

ANGLE TOLERANCE	PROJECTION	Description:
$\pm 3^{\circ}$		Heavy Duty Connectors H32A Series Hoods, Bulkhead Mounting
GENERAL TOLERANCE	UNITS	mm
x.x $\pm 0.30$	SHEET SIZE	A4
x.xx $\pm 0.20$	Draw:	WuHao 2025-07-05
x.xxx $\pm 0.10$	Check:	Daniel 2025-07-05



NingBo KLS ELECTRONIC CO.,LTD.