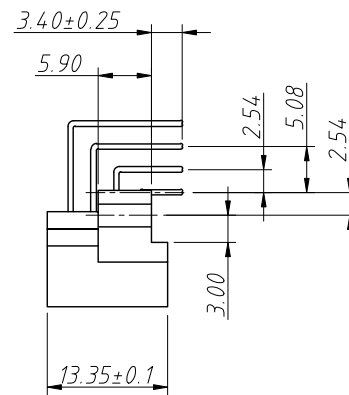
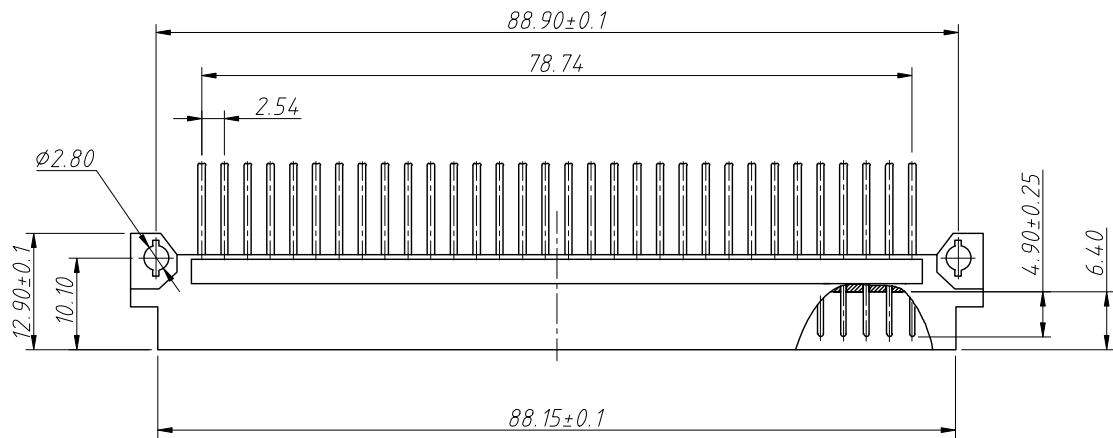


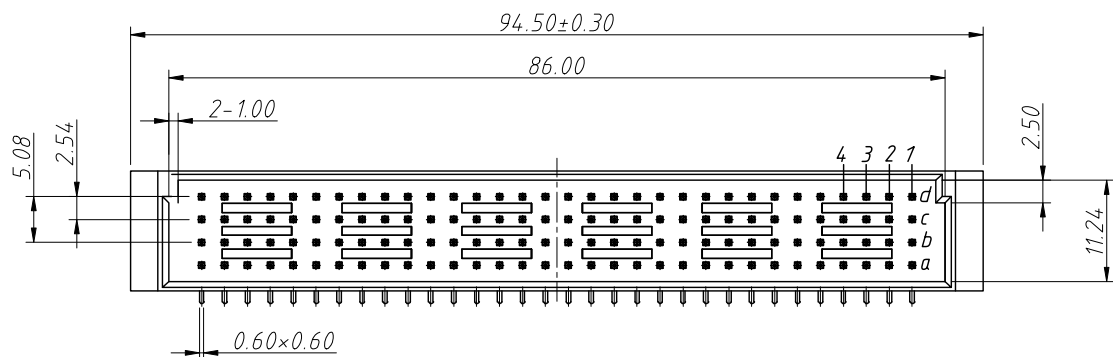
RoHS Compliance

REV	SYM	Revision Record	Appr.	Date
V0	KLS01011	New Version Release	Song	2026-03-10

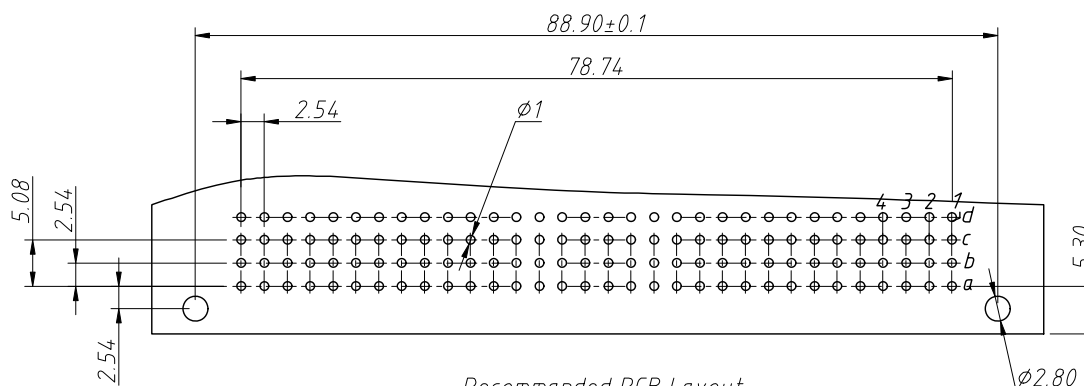


Material:
Housing:PBT+30%G.F,UL 94V-0
Contacts:Copper Alloy,G/F

Electrical
Current Rating:2 A
Contact Resistance:20 mΩ Initial
Insulation Resistance:1000 MΩ Min @ 500 VDC
Withstanding Voltage:1000 VAC / Minute
Operating Temperature:-55°C To +125°C



Pitch	Position	Rows with Contact	Contact Arrange	Part Number
2.54	128	a b c d		44128
5.08	64	a b c d		44064



Recommended PCB Layout
Tolerance:±0.05mm

Order Information

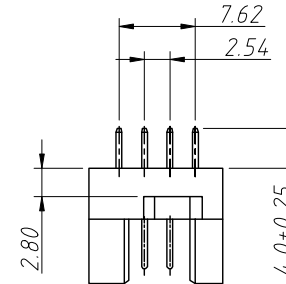
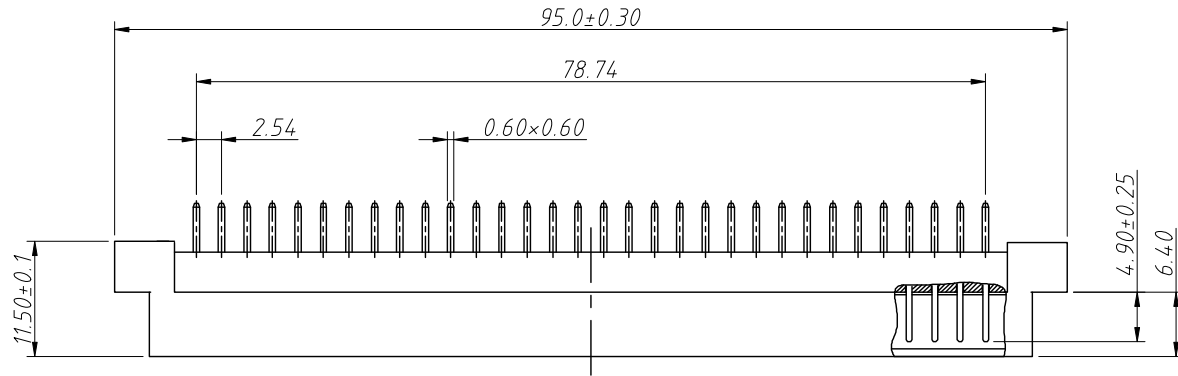
L-KLS1-D4- xxxx-M R

RoHS
Series NO.
4x32Pin, Long Type
44128, 44064
M-Male
R-R-Right angle pin

ANGLE TOLERANCE	PROJECTION	Description:	DIN 41612 Connector	
±3°				
GENERAL TOLERANCE	UNITS	mm	KLS P/N:	L-KLS1-D4-xxxx-MR
x.x ±0.30	SHEET SIZE	A4		
x.xx ±0.20	Draw:	Song	2026-03-10	NingBo KLS ELECTRONIC CO.,L TD.
x.xxx ±0.10	Check:	Daniel	2026-03-10	

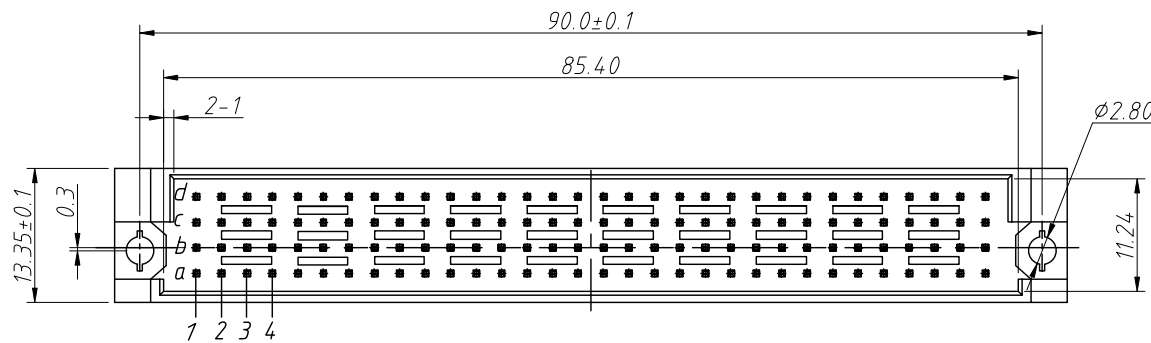
1 RoHS Compliance

REV	SYM	Revision Record	Appr.	Date
V0	KLS01011	New Version Release	Song	2026-03-10

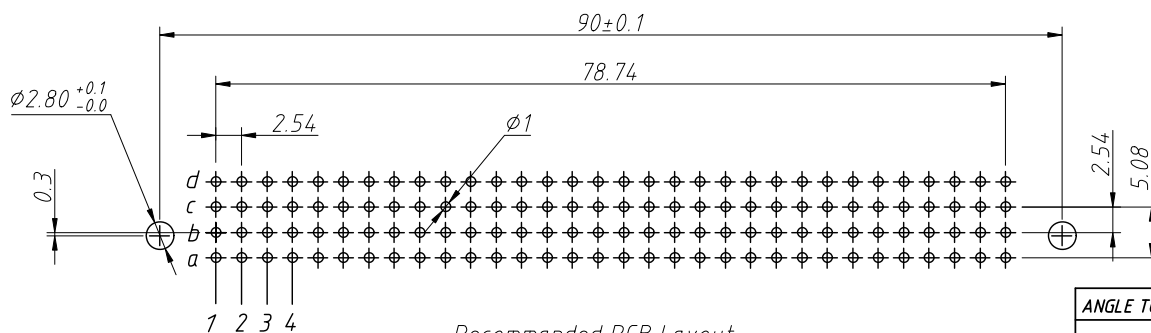


Material:
Housing:PBT+30%G.F,UL 94V-0
Contacts:Copper Alloy,G/F

Electrical
Current Rating:2 A
Contact Resistance:20 mΩ Initial
Insulation Resistance:1000 MΩ Min @ 500 VDC
Withstanding Voltage:1000 VAC / Minute
Operating Temperature:-55°C To +125°C



Pitch	Position	Rows with Contact	Contact Arrange	Part Number
2.54	128	a b c d		44128
5.08	64	a b c d		44064



Recommended PCB Layout
Tolerance:±0.05mm

Order Information

L-KLS1-D4- xxxx- M S

RoHS

Series NO.

4x32Pin, Long Type

44128, 44064

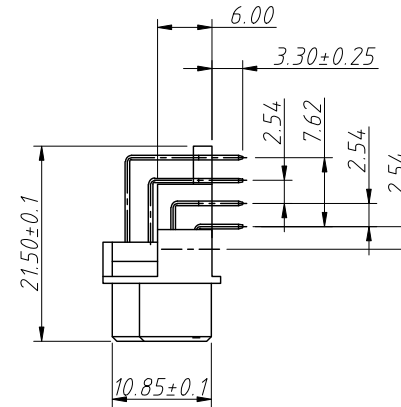
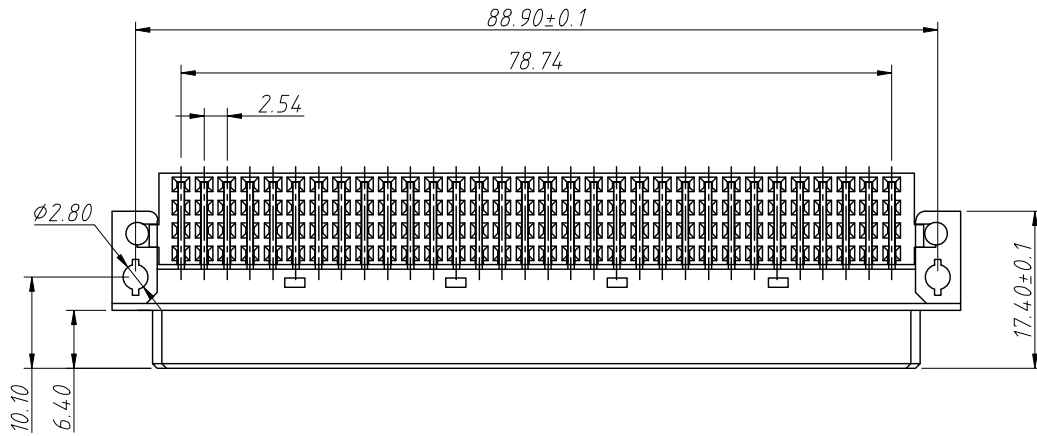
M-Male

S-Straight Pin

ANGLE TOLERANCE	PROJECTION	Description:	DIN 41612 Connector	
±3°				
GENERAL TOLERANCE	UNITS	mm	KLS P/N:	L-KLS1-D4-xxxx-MS
x.x ±0.30	SHEET SIZE	A4		
x.xx ±0.20	Draw:	Song	2026-03-10	NingBo KLS ELECTRONIC CO.,L TD.
x.xxx ±0.10	Check:	Daniel	2026-03-10	

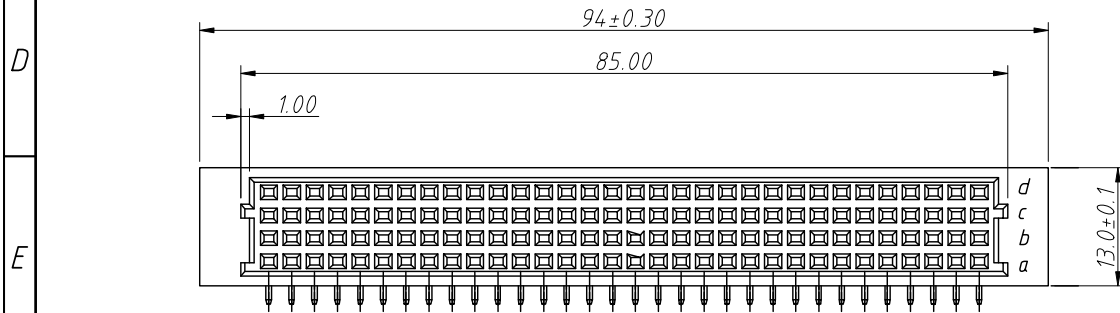
RoHS Compliance

REV	SYM	Revision Record	Appr.	Date
V0	KLS01011	New Version Release	Song	2026-03-10

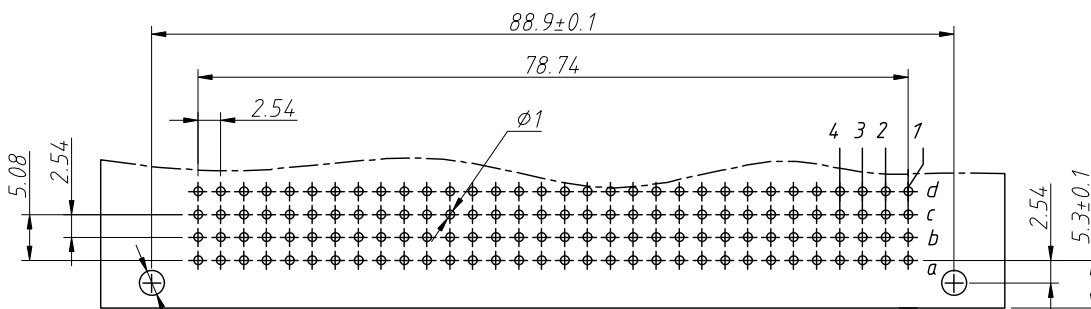


Material:
Housing:PBT+30%G.F,UL 94V-0
Contacts:Copper Alloy,G/F

Electrical
Current Rating:2 A
Contact Resistance:20 mΩ Initial
Insulation Resistance:1000 MΩ Min @ 500 VDC
Withstanding Voltage:1000 VAC / Minute
Operating Temperature:-55°C To +125°C



Pitch	Position	Rows with Contact	Contact Arrange	Part Number
2.54	128	a b c d		44128
5.08	64	a b c d		44064



Order Information

L-KLS1-D4-xxxx-F R

RoHS

Series NO.

4x32Pin, Long Type

44128, 44064

F-Female

R-R-Right angle pin

Recommended PCB Layout
Tolerance:±0.05mm

2.80^{+0.1}_{-0.0}

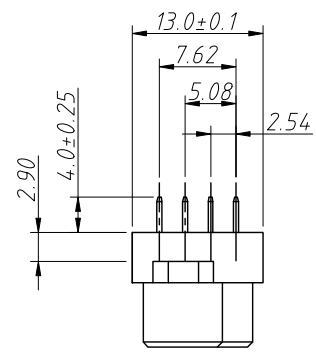
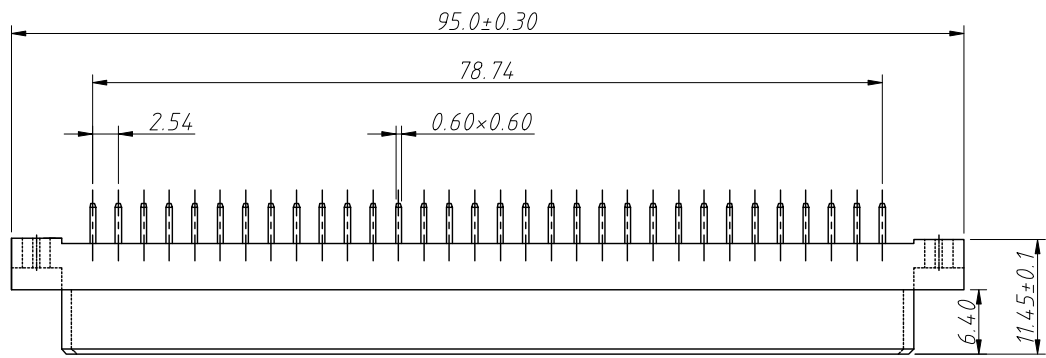
ANGLE TOLERANCE	PROJECTION	Description:	DIN 41612 Connector
±3°			
GENERAL TOLERANCE	UNITS	mm	KLS P/N:
x.x ±0.30	SHEET SIZE	A4	L-KLS1-D4-xxxx-FR
x.xx ±0.20	Draw:	Song	2026-03-10
x.xxx ±0.10	Check:	Daniel	2026-03-10



NingBo KLS ELECTRONIC CO.,L TD.

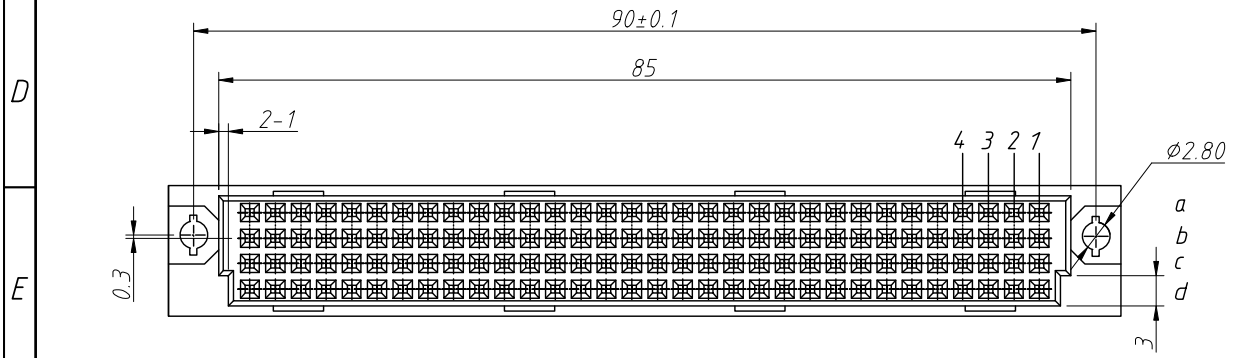
1
RoHS Compliance

7		8		
REV	SYM	Revision Record	Appr.	Date
V0	KLS01011	New Version Release	Song	2026-03-10

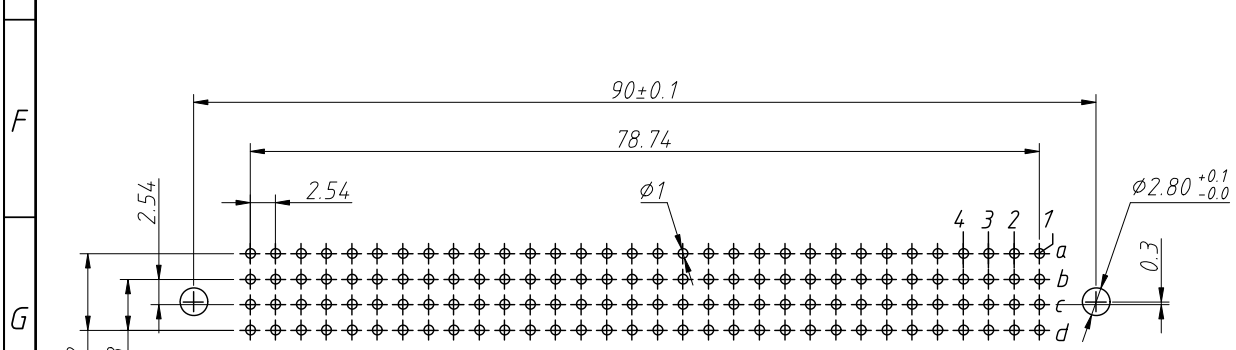


Material:
Housing:PBT+30%G.F,UL 94V-0
Contacts:Copper Alloy,G/F

Electrical
Current Rating:2 A
Contact Resistance:20 mΩ Initial
Insulation Resistance:1000 MΩ Min @ 500 VDC
Withstanding Voltage:1000 VAC / Minute
Operating Temperature:-55°C To +125°C



Pitch	Position	Rows with Contact	Contact Arrange	Part Number
2.54	128	a b c d		44128
5.08	64	a b c d		44064



Recommended PCB Layout
Tolerance:±0.05mm

Order Information
L-KLS1-D4- xxxx- F S
RoHS
Series NO.
4x32Pin, Long Type
44128, 44064
F-Female
S-Straight Pin

ANGLE TOLERANCE	PROJECTION	Description:	DIN 41612 Connector
±3°			
GENERAL TOLERANCE	UNITS	mm	KLS P/N:
x.x ±0.30	SHEET SIZE	A4	L-KLS1-D4-xxxx-FS
x.xx ±0.20	Draw:	Song	2026-03-10
x.xxx ±0.10	Check:	Daniel	2026-03-10

