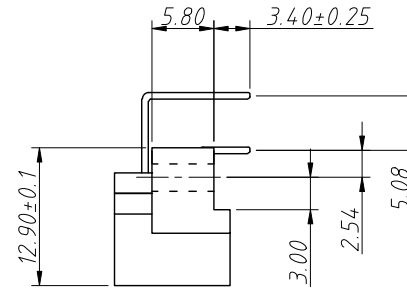
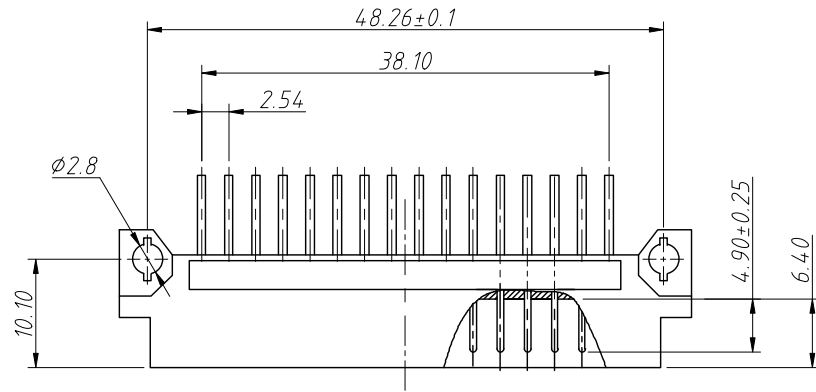


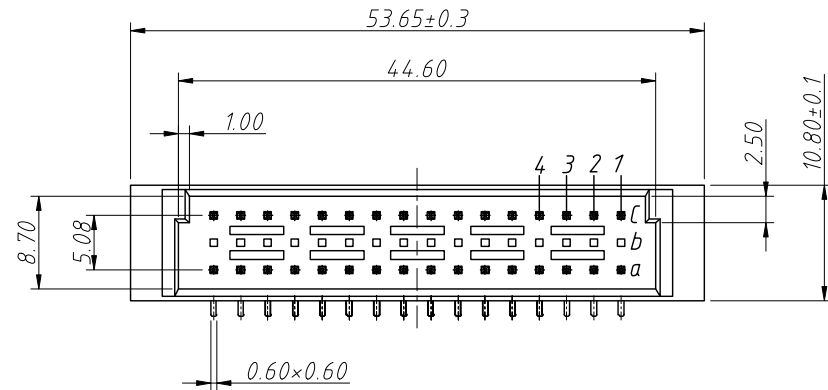
RoHS Compliance

REV	SYM	Revision Record	Appr.	Date
V0	KLS01011	New Version Release	Song	2025-09-03



Material:
 Housing:PBT+30%G.F UL94V-0
 Contacts:Copper Alloy,G/F Gold Plated

Electrical:
 Current Rating:2 Amps
 Contact Resistance:20 mΩ initial
 Insulation Resistance:1000 MΩ min @ 500 V DC
 Dielectric Withstanding Voltage:1000 V AC/minute
 Operating temperature:-55°C To +125°C

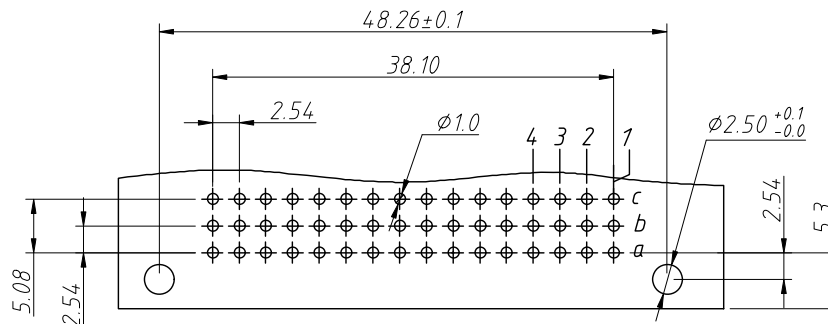


Order Information

L-KLS1-D3X-xxxx-M R

RoHS
 D3X=3X16Pin
 3row Short Type
 Part Number:3348
 3232, 3116, 3324, 3216, 3108
 M-Male
 R-Right angle pin

Pitch	Position	Rows with Contact	Contact Arrange	Part Number
2.54mm	48	a b c		3348
	32	a--c		3232
	16	a--		3116
5.08mm	24	a b c		3324
	16	a--c		3216
	08	a--		3108



Recommended PCB Layout
 Tolerance:±0.05mm

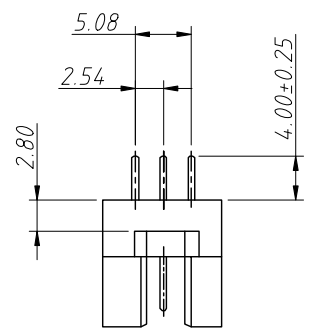
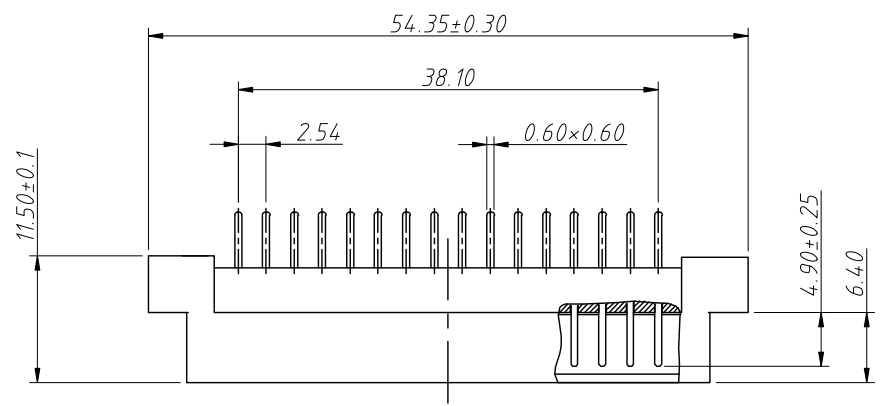
ANGLE TOLERANCE	PROJECTION	Description:	DIN4 1612 Connector, 3x16Pin 3 Row, Male, Right angle pin
±3°			
GENERAL TOLERANCE	UNITS	mm	KLS P/N: L-KLS1-D3X-xxxx-MR
.x ±0.30	SHEET SIZE	A4	
.xx ±0.20	Draw:	Song	2025-09-03
.xxx ±0.10	Check:	Daniel	2025-09-03



NingBo KLS ELECTRONIC CO.,L TD.

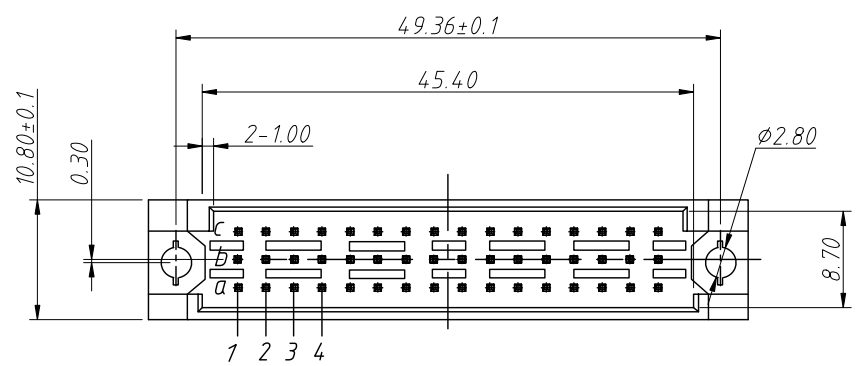
1
RoHS Compliance

7		8	
REV	SYM	Revision Record	Appr.
V0	KLS01011	New Version Release	Song
		Date	
		2025-09-03	



Material:
Housing: PBT+30%G.F UL94V-0
Contacts: Copper Alloy, G/F Gold Plated

Electrical:
Current Rating: 2 Amps
Contact Resistance: 20 mΩ initial
Insulation Resistance: 1000 MΩ min @ 500 V DC
Dielectric Withstanding Voltage: 1000 V AC/minute
Operating temperature: -55°C To +125°C

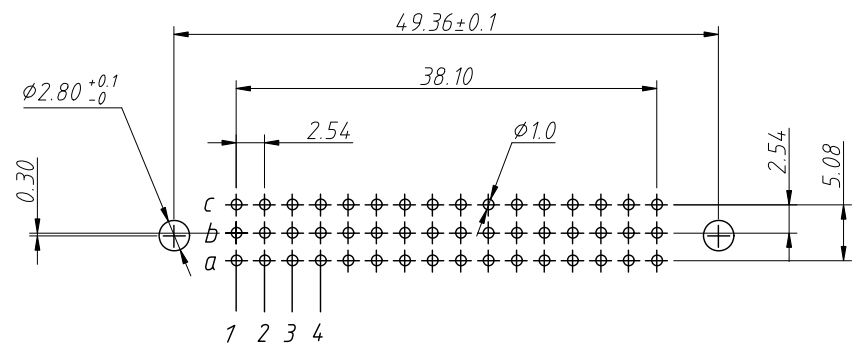


Order Information

L-KLS1-D3X-xxxx-M S

RoHS
Series NO.
3x16Pin, Short Type
3348, 3232, 3116,
3324, 3216, 3108
M-Male
S-Straight Pin

Pitch	Position	Rows with Contact	Contact Arrange	Part Number
2.54	48	a b c		3348
	32	a - c		3232
	16	a - -		3116
5.08	24	a b c		3324
	16	a - c		3216
	8	a - -		3108

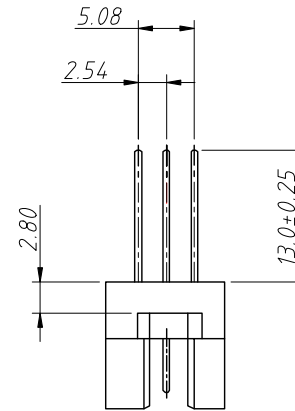
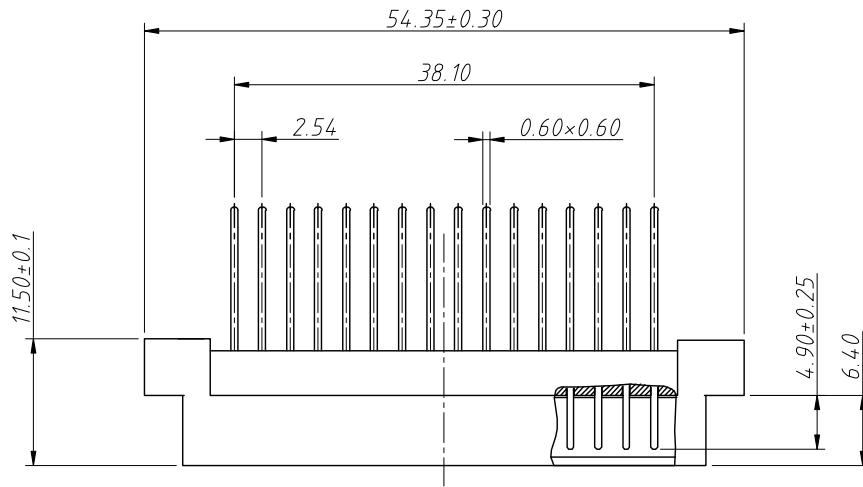


Recommended PCB Layout
Tolerance: ±0.05mm

ANGLE TOLERANCE	PROJECTION	Description:		
±3°		DIN4 1612 Connector, 3x16Pin 3 Row, Male, Straight pin		
GENERAL TOLERANCE	UNITS	mm	KLS P/N:	L-KLS1-D3X-xxxx-MS
.x ±0.30	SHEET SIZE	A4		
.xx ±0.20	Draw:	Song	2025-09-03	NingBo KLS ELECTRONIC CO.,L TD.
.xxx ±0.10	Check:	Daniel	2025-09-03	

1 RoHS Compliance

7		8	
REV	SYM	Revision Record	Appr.
V0	KLS01011	New Version Release	Song
			Date
			2026-06-16



Material:

Housing: PBT+30%G.F UL94V-0

Contacts: Copper Alloy, G/F Gold Plated

Electrical:

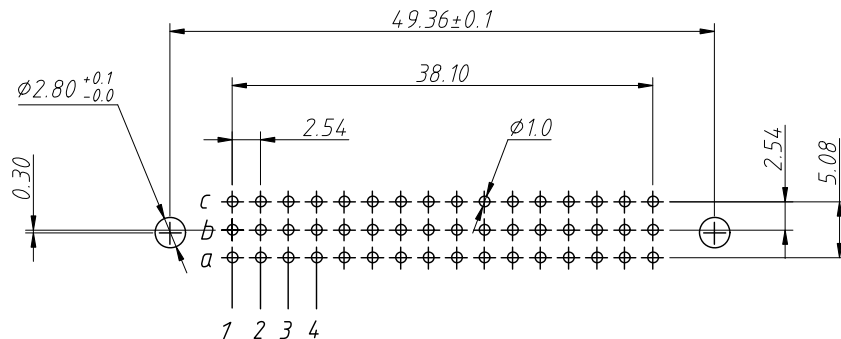
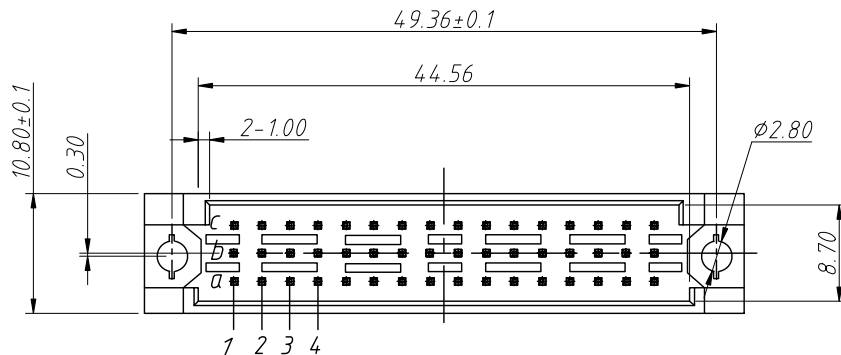
Current Rating: 2 Amps

Contact Resistance: 20 mΩ initial

Insulation Resistance: 1000 MΩ min @ 500 V DC

Dielectric Withstanding Voltage: 1000 V AC/minute

Operating temperature: -55°C To +125°C



Recommended PCB Layout
Tolerance: ±0.05mm

Order Information

L-KLS1-D3X-xxxx-MW1

RoHS

Series NO.

3x16Pin, Short Type

3348, 3232, 3116,

3324, 3216, 3108

M-Male

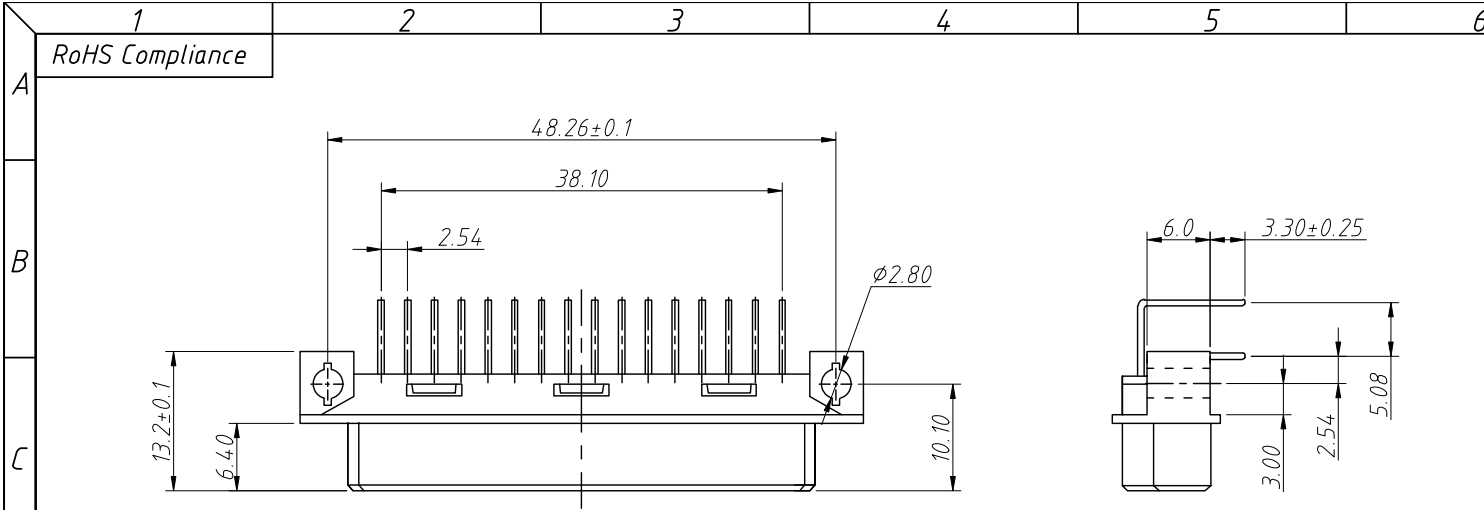
W1-13mm Straight Pin

Pitch	Position	Rows with Contact	Contact Arrange	Part Number
2.54	48	a b c		3348
	32	a - c		3232
	16	a - -		3116
5.08	24	a b c		3324
	16	a - c		3216
	8	a - -		3108

ANGLE TOLERANCE	PROJECTION	Description: DIN41612 Connector, 3x16Pin		
±3°		3 Row, Male, Straight pin		
GENERAL TOLERANCE	UNITS	mm	KLS P/N:	L-KLS1-D3X-xxxx-MW1
.x ±0.30	SHEET SIZE	A4		
.xx ±0.20	Draw:	Song	2026-06-16	NingBo KLS ELECTRONIC CO.,LTD.
.xxx ±0.10	Check:	Daniel	2026-06-16	

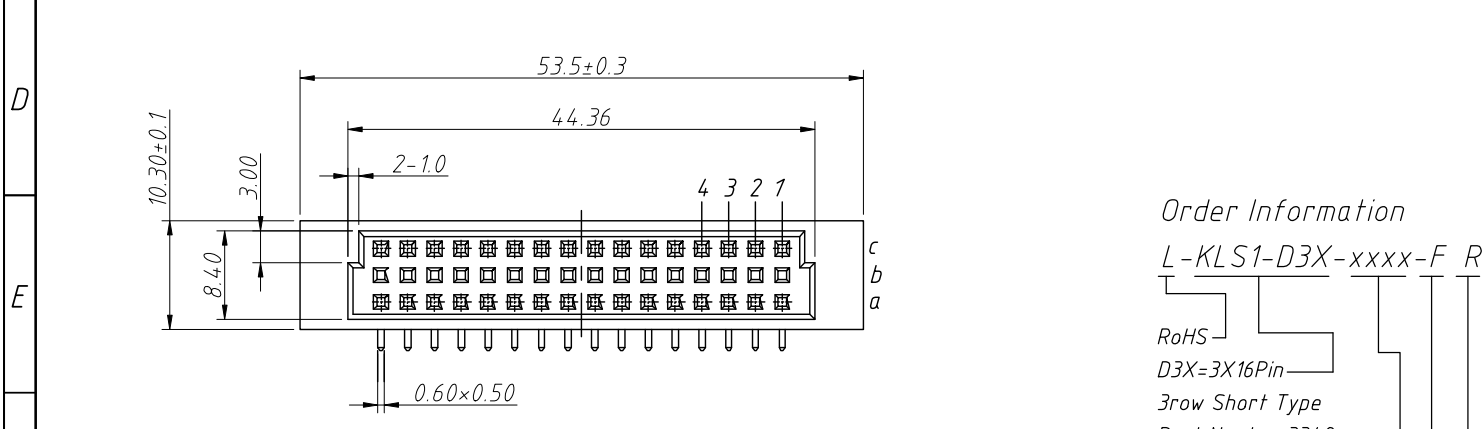
1
RoHS Compliance

7		8	
REV	SYM	Revision Record	Appr.
VO	KLS01011	New Version Release	Song
			Date
			2025-09-01



Material:
Housing:PBT+30%G.F UL94V-0
Contacts:Copper Alloy,G/F Gold Plated

Electrical:
Current Rating:2 Amps
Contact Resistance:20 mΩ initial
Insulation Resistance:1000 MΩ min @ 500 V DC
Dielectric Withstanding Voltage:1000 V AC/minute
Operating temperature:-55°C To +125°C

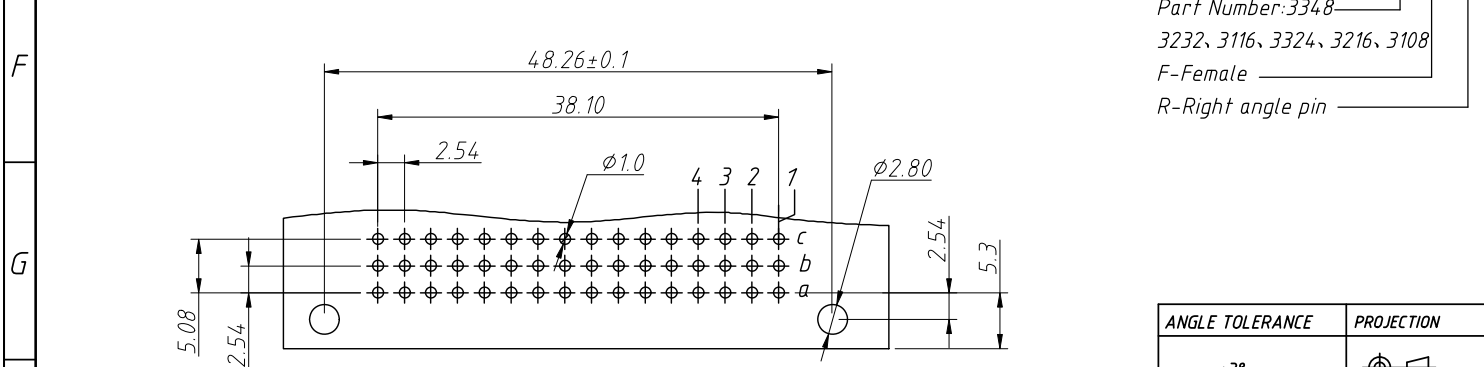


Order Information

L-KLS1-D3X-xxxx-F R

RoHS
D3X=3X16Pin
3row Short Type
Part Number:3348
3232, 3116, 3324, 3216, 3108
F-Female
R-Right angle pin

Pitch	Position	Rows with Contact	Contact Arrange	Part Number
2.54mm	48	a b c		3348
	32	a--c		3232
	16	a--		3116
5.08mm	24	a b c		3324
	16	a--c		3216
	08	a--		3108



Recommended PCB Layout
Tolerance:±0.05mm

ANGLE TOLERANCE	PROJECTION	Description:	DIN4 1612 Connector, 3x16Pin 3 Row, Female, Right angle pin
±3°			
GENERAL TOLERANCE	UNITS	mm	KLS P/N:
.x ±0.30	SHEET SIZE	A4	L-KLS1-D3X-xxxx-FR
.xx ±0.20	Draw:	Song	2025-09-02
.xxx ±0.10	Check:	Daniel	2025-09-02

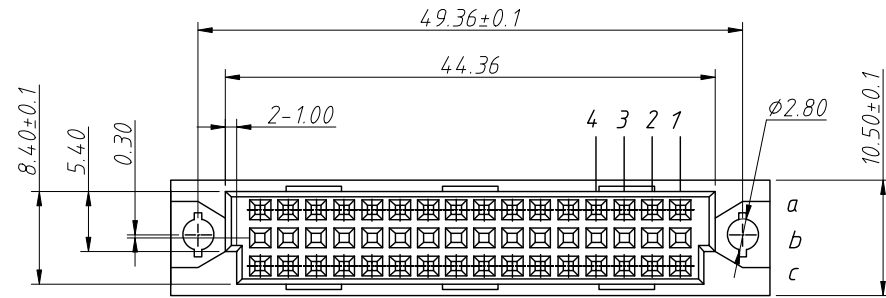
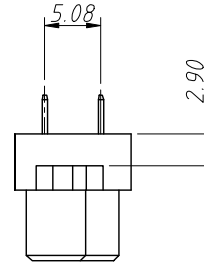
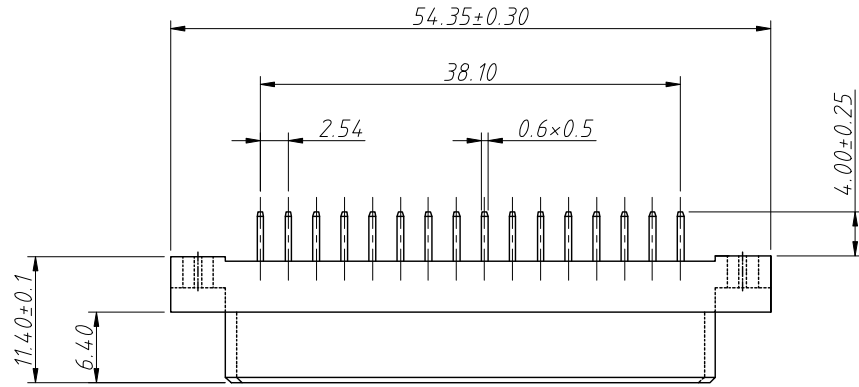
NingBo KLS ELECTRONIC CO.,L TD.

1 RoHS Compliance

REV	SYM	Revision Record	Appr.	Date
V0	KLS01011	New Version Release	Song	2025-09-03

Material:
Housing:PBT+30%G.F UL94V-0
Contacts:Copper Alloy,G/F Gold Plated

Electrical:
Current Rating:2 Amps
Contact Resistance:20 mΩ initial
Insulation Resistance:1000 MΩ min @ 500 V DC
Dielectric Withstanding Voltage:1000 V AC/minute
Operating temperature:-55°C To +125°C

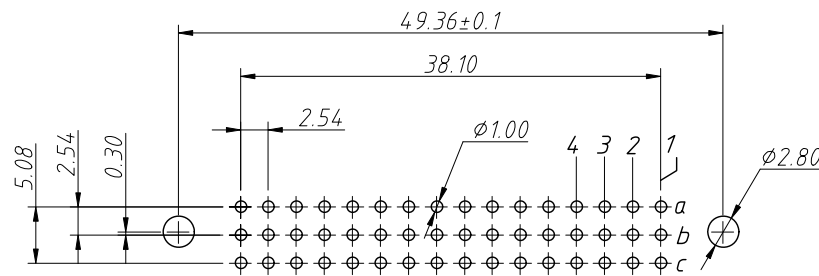


Order Information

L-KLS1-D3X-xxxx-F S

RoHS
D3X=3X16Pin
3row Short Type
Part Number:3348
3232, 3116, 3324, 3216, 3108
F-Female
S-Straight pin

Pitch	Position	Rows with Contact	Contact Arrange	Part Number
2.54mm	48	a b c		3348
	32	a--c		3232
	16	a--		3116
5.08mm	24	a b c		3324
	16	a--c		3216
	08	a--		3108



Recommended PCB Layout
Tolerance:±0.05mm

ANGLE TOLERANCE	PROJECTION	Description:	DIN4 1612 Connector, 3x16Pin 3 Row, Female, Straight pin
±3°			
GENERAL TOLERANCE	UNITS	mm	KLS P/N: L-KLS1-D3X-xxxx-FS
.x ±0.30	SHEET SIZE	A4	
.xx ±0.20	Draw:	Song	2025-09-03
.xxx ±0.10	Check:	Daniel	2025-09-03



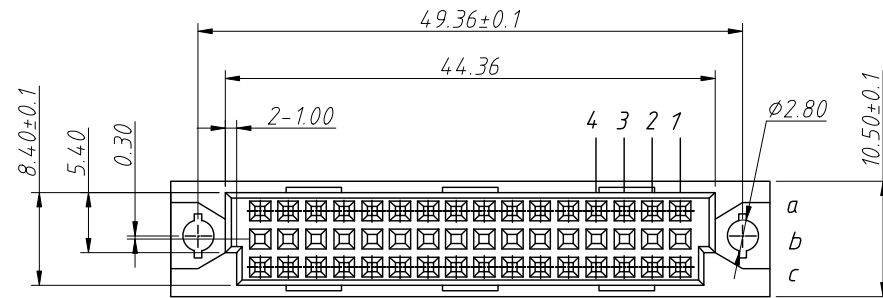
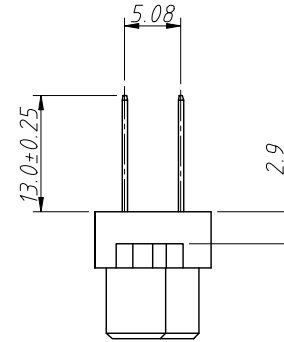
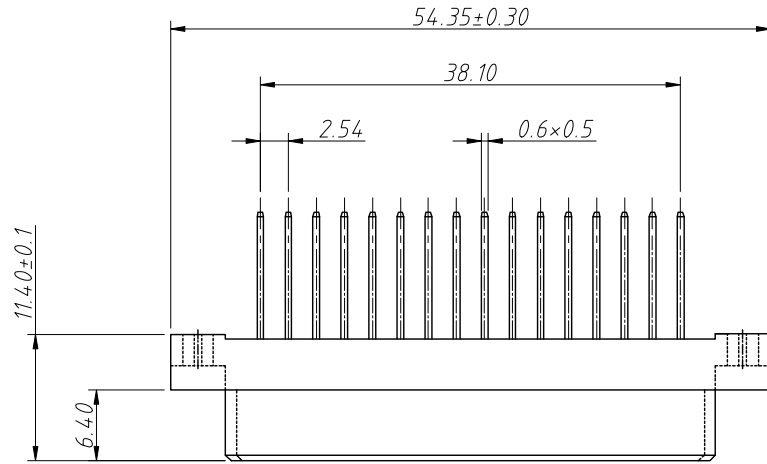
NingBo KLS ELECTRONIC CO.,L TD.

1 RoHS Compliance

REV	SYM	Revision Record	Appr.	Date
V0	KLS01011	New Version Release	Song	2026-06-16

Material:
Housing: PBT+30%G.F UL94V-0
Contacts: Copper Alloy, G/F Gold Plated

Electrical:
Current Rating: 2 Amps
Contact Resistance: 20 mΩ initial
Insulation Resistance: 1000 MΩ min @ 500 V DC
Dielectric Withstanding Voltage: 1000 V AC/minute
Operating temperature: -55°C To +125°C

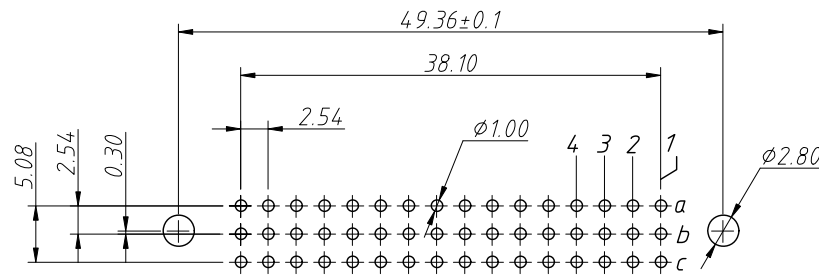


Order Information

L-KLS1-D3X-xxxx-F W1

RoHS
SERISE NO.
Part Number: 3348
3232, 3116, 3324, 3216, 3108
F-Female
W1-13mm Straight pin

Pitch	Position	Rows with Contact	Contact Arrange	Part Number
2.54mm	48	a b c		3348
	32	a--c		3232
	16	a--		3116
5.08mm	24	a b c		3324
	16	a--c		3216
	08	a--		3108



Recommended PCB Layout
Tolerance: ±0.05mm

ANGLE TOLERANCE	PROJECTION	Description:	DIN4 1612 Connector, 3x16Pin 3 Row, Female, Straight pin
±3°			
GENERAL TOLERANCE	UNITS	mm	KLS P/N: L-KLS1-D3X-xxxx-FW1
.x ±0.30	SHEET SIZE	A4	
.xx ±0.20	Draw:	Song	2026-06-16
.xxx ±0.10	Check:	Daniel	2026-06-16



NingBo KLS ELECTRONIC CO., L TD.