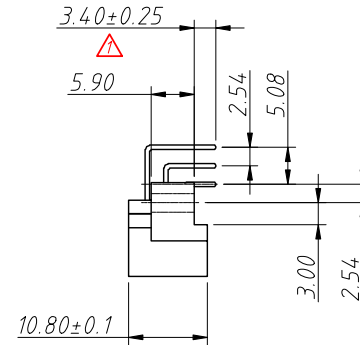
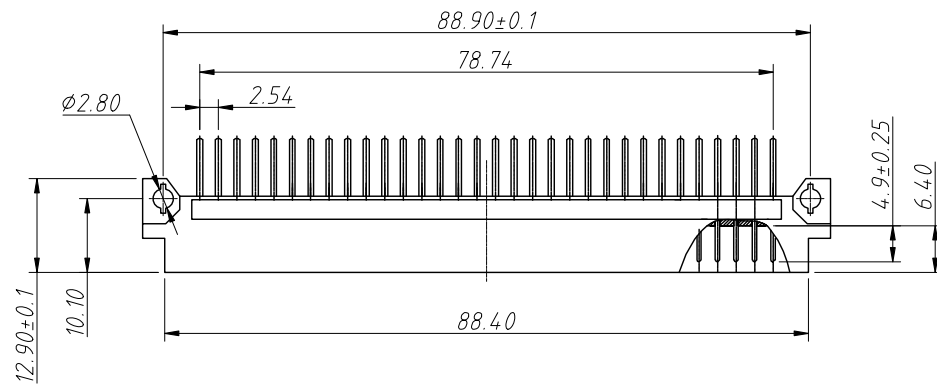


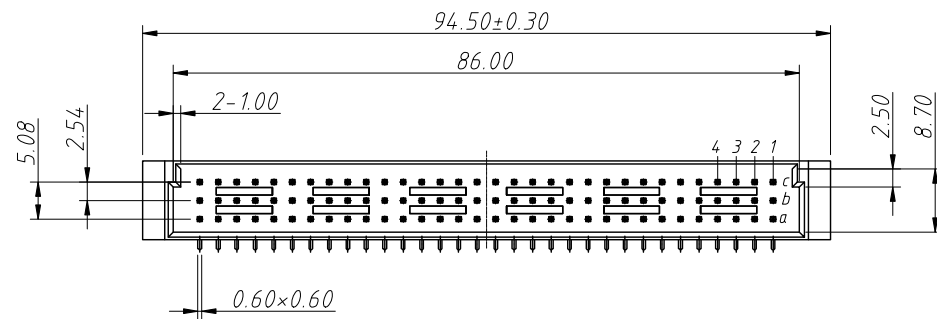
RoHS Compliance

REV	SYM	Revision Record	Appr.	Date
V0	KLS01011	New Version Release	Song	2023-08-04
V1.0	△	Process Improvement	Song	2025-06-10



Material:
Housing:PBT+30%G.F UL 94 V-0
Contacts:Copper Alloy,Gold Plating

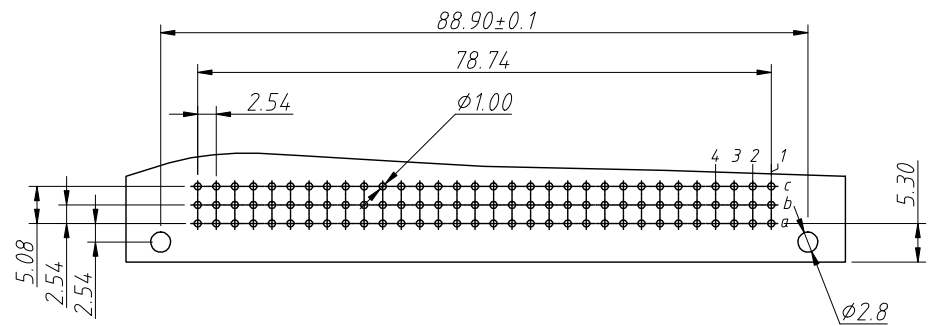
Electrical:
Current Rating:2 Amps
Contact Resistance:20 mΩ initial
Insulation Resistance:1000 MΩ min @ 500 V DC
Dielectric Withstanding Voltage:1000 V AC/minute
Operating temperature:-55°C To +125°C



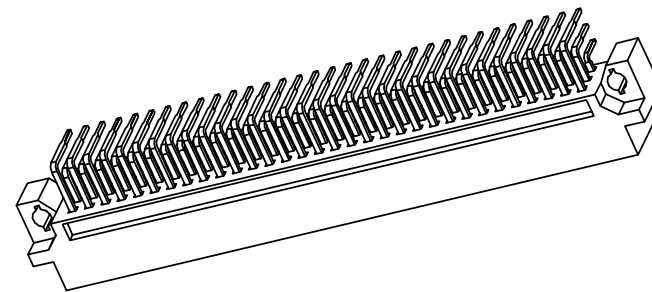
Pitch	Position	Rows with Contact	Contact Arrange	Part Number
2.54mm	96	a b c		3396
	64	a--c		3264
	32	a--		3132
5.08mm	48	a b c		3348
	32	a--c		3232
	16	a--		3116

Order Information
L-KLS1-D3-xxxx-M R

RoHS
D3=3X32Pin
3row Long Type
PartNumber:3396,
3264, 3132, 3348, 3232, 3116
M-Male
R-Right Angle Pin



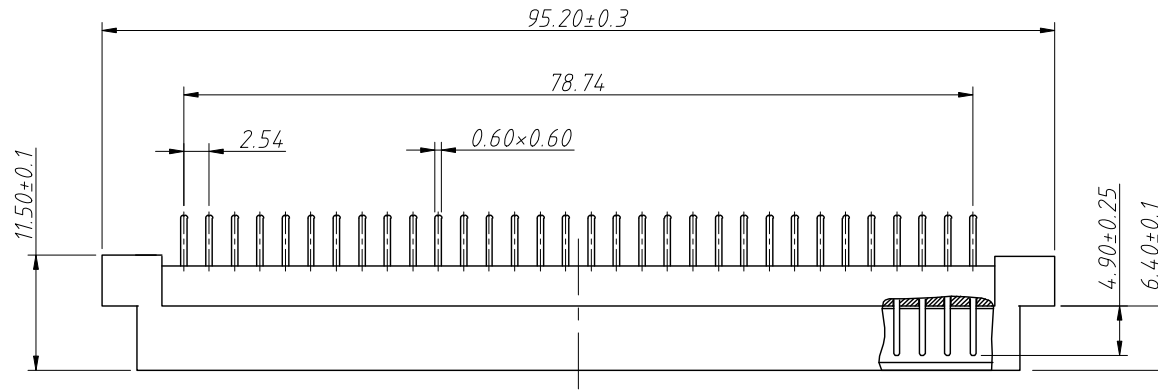
Recommended PCB Layout
Tolerance:±0.05mm



ANGLE TOLERANCE	PROJECTION	Description:	DIN41612 Connector (C TYPE 3x32Pin)	
±3°				
GENERAL TOLERANCE	UNITS	mm	KLS P/N:	L-KLS1-D3-xxxx-MR
x.x ±0.20	SHEET SIZE	A4		
x.xx ±0.15	Draw:	Song	2023-08-04	NingBo KLS ELECTRONIC CO.,L TD.
x.xxx ±0.02	Check:	Daniel	2023-08-04	

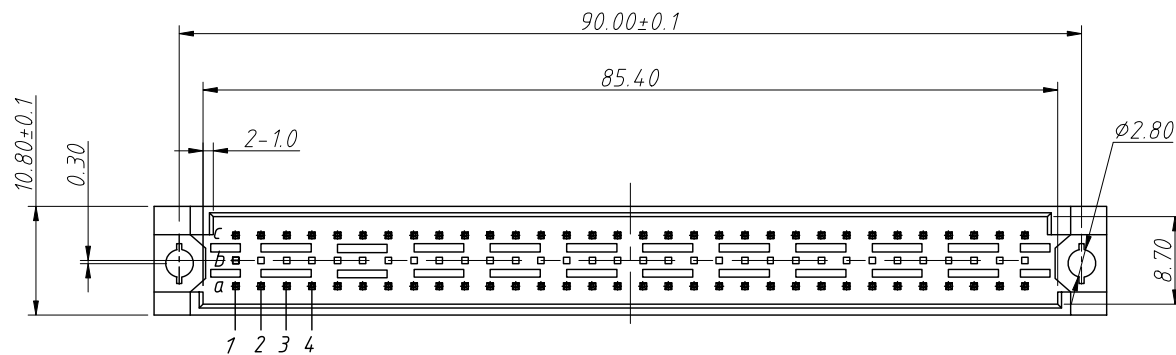
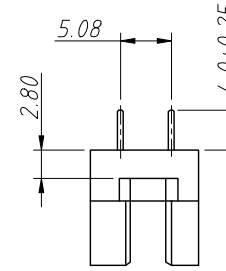
RoHS Compliance

REV	SYM	Revision Record	Appr.	Date
V0	KLS01011	New Version Release	Song	2023-11-04



Material:
 Housing:PBT+30%G.F UL 94V-0
 Contacts:Copper Alloy,GF Gold Plating

Electrical:
 Current Rating:2 Amps
 Contact Resistance:20 mΩ initial
 Insulation Resistance:1000 MΩ min @ 500 V DC
 Dielectric Withstanding Voltage:1000 V AC/minute
 Operating temperature:-55°C To +125°C



Order Information

L-KLS1-D3-xxxx-MS

RoHS

D3=3X32Pin

3row Long Type

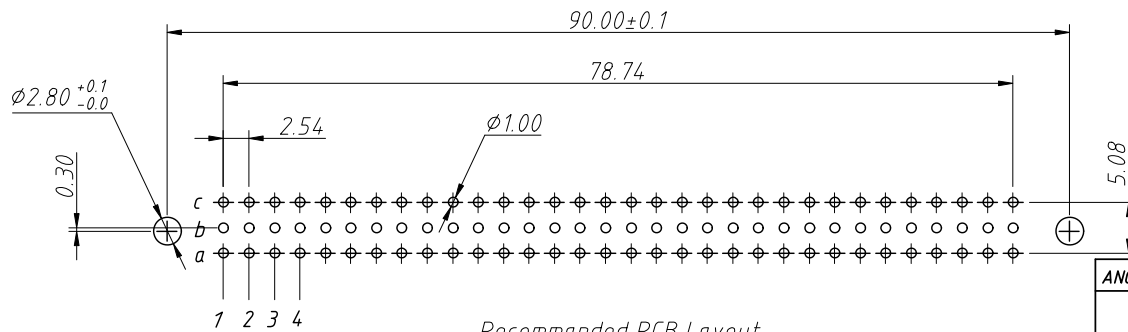
Part Number:3396

3264.3132.3348.3232.3116

M-Male

S-Straight pin

Pitch	Position	Rows with Contact	Contact Arrange	Part Number
2.54mm	96	a b c		3396
	64	a--c		3264
	32	a--		3132
5.08mm	48	a b c		3348
	32	a--c		3232
	16	a--		3116



Recommended PCB Layout
 Tolerance:±0.05mm

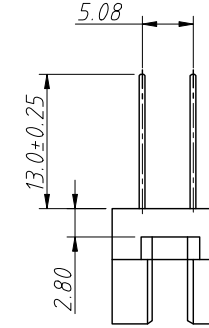
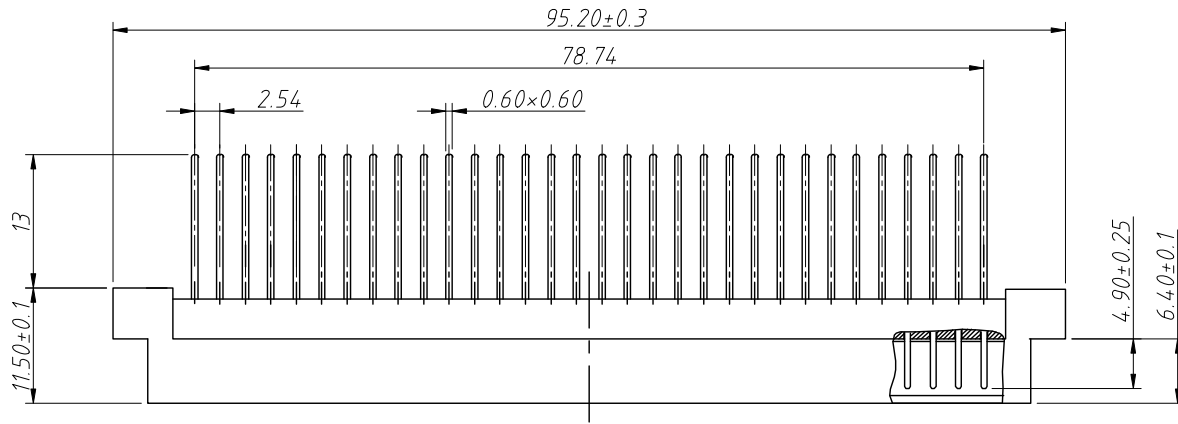
ANGLE TOLERANCE	PROJECTION	Description:	DIN4 1612 Connector,3X32Pin 3 Row, Male, Straight pin
±3°			
GENERAL TOLERANCE	UNITS	mm	KLS P/N: L-KLS1-D3-xxxx-MS
x.x ±0.20	SHEET SIZE	A4	
x.xx ±0.15	Draw:	Song	2023-11-04
x.xxx ±0.02	Check:	Daniel	2023-11-04



NingBo KLS ELECTRONIC CO.,L TD.

RoHS Compliance

REV	SYM	Revision Record	Appr.	Date
V0	KLS01011	New Version Release	Song	2024-01-16



Notes:

1.Material:

Housing:PBT+30%G.F UL94V-0

Contacts:Copper Alloy,G/F Plating

2.Electrical:

Current Rating:2 Amps

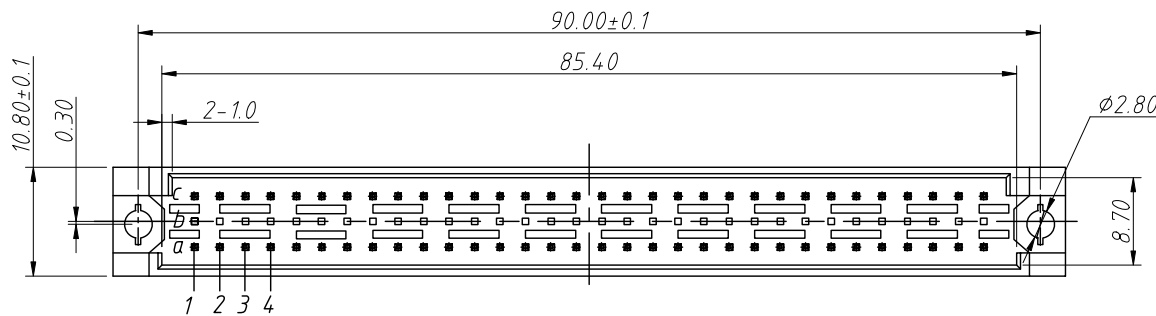
Contact Resistance:20 mΩ initial

Insulation Resistance:1000 MΩ min @ 500 V DC

Dielectric Withstanding Voltage:1000 V AC/minute

Operating Temperature:-55°C To +125°C

Packing:Tray



Order Information

L-KLS1-D3-xxxx-M W1

RoHS

D3=3X32Pin

3row Long Type

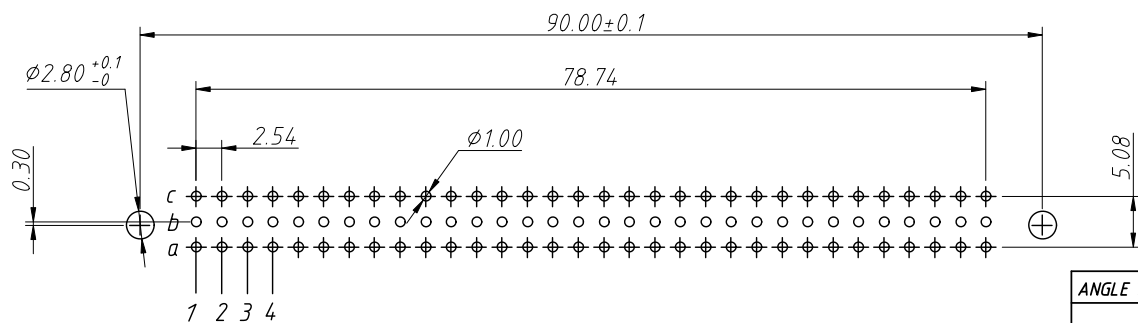
PartNumber:3396,

3264,3132,3348,3232,3116

M-Male

W1-13mm Straight pin

Pitch	Position	Rows with Contact	Contact Arrange	Part Number
2.54mm	96	a b c		3396
	64	a--c		3264
	32	a--		3132
5.08mm	48	a b c		3348
	32	a--c		3232
	16	a--		3116

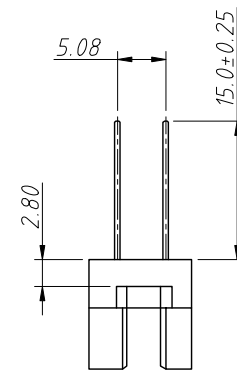
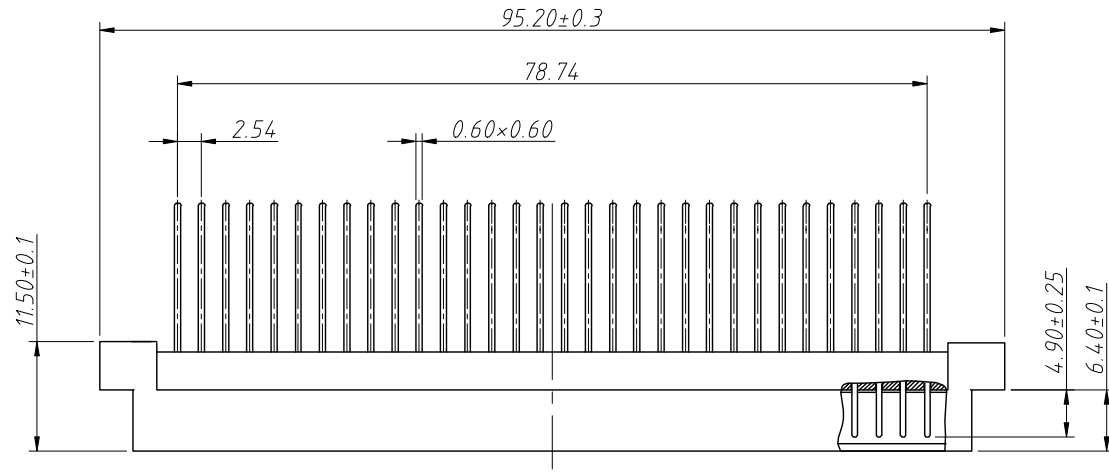


Recommended PCB Layout
Tolerance:±0.05mm

ANGLE TOLERANCE	PROJECTION	Description:	Pitch 2.54mm, Male, Straight Pin	
±3°				
GENERAL TOLERANCE	UNITS	mm	KLS P/N:	L-KLS1-D3-xxxx-MW1
x.x ±0.30	SHEET SIZE	A4		
x.xx ±0.20	Draw:	Song	2024-01-16	NingBo KLS ELECTRONIC CO.,L TD.
x.xxx ±0.10	Check:	Daniel	2024-01-16	

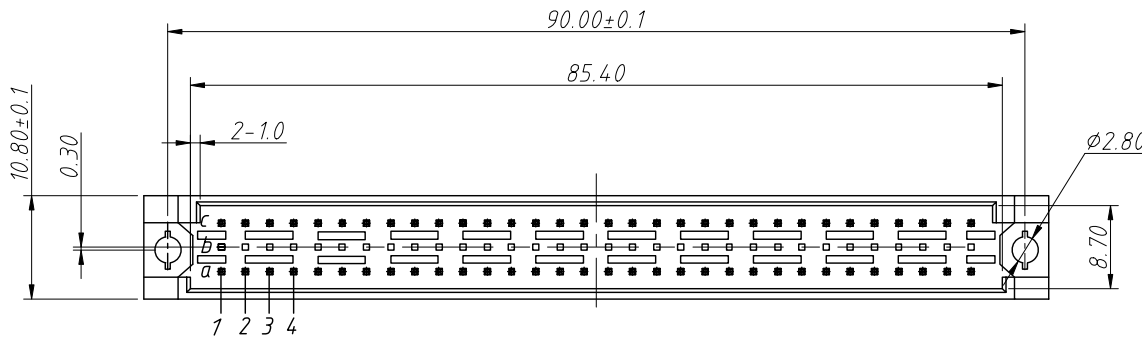
RoHS Compliance

REV	SYM	Revision Record	Appr.	Date
V0	KLS01011	New Version Release	Song	2026-06-12



Material:
 Housing:PBT+30%G.F UL 94V-0
 Contacts:Copper Alloy,GF Gold Plating

Electrical:
 Current Rating:2 Amps
 Contact Resistance:20 mΩ initial
 Insulation Resistance:1000 MΩ min @ 500 V DC
 Dielectric Withstanding Voltage:1000VAC/minute
 Operating temperature:-55°C To +125°C

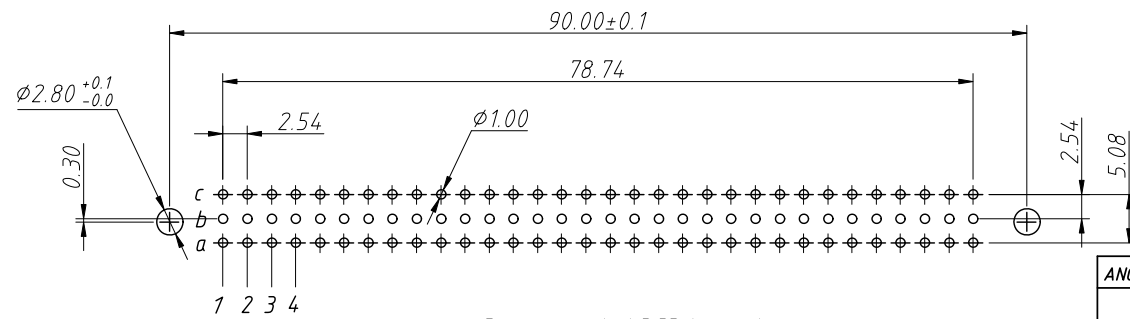


Order Information

L-KLS1-D3-xxxx-M W2

RoHS
 SERISE NO.
 Part Number:3396-
 3264.3132.3348.3232.3116
 M-Male
 W2-15mm Straight pin

Pitch	Position	Rows with Contact	Contact Arrange	Part Number
2.54mm	96	a b c		3396
	64	a--c		3264
	32	a--		3132
5.08mm	48	a b c		3348
	32	a--c		3232
	16	a--		3116



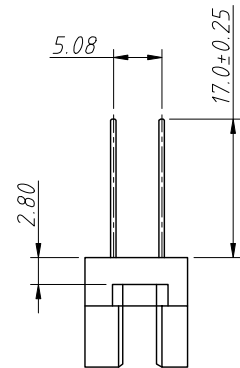
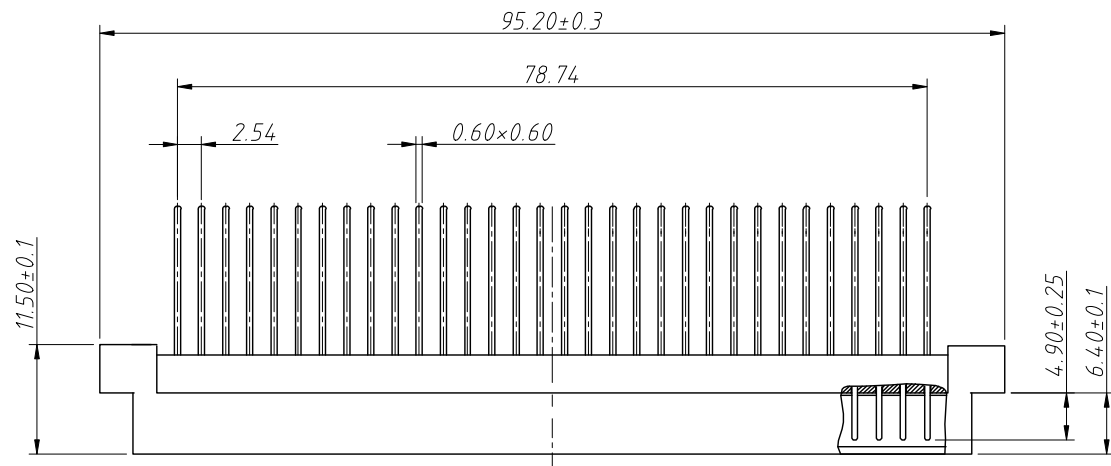
Recommended PCB Layout
 Tolerance:±0.05mm

ANGLE TOLERANCE	PROJECTION	Description:	DIN4 1612 Connector,3X32Pin
±3°			3 Row, Male, Straight pin
GENERAL TOLERANCE	UNITS	mm	KLS P/N:
x.x ±0.20	SHEET SIZE	A4	L-KLS1-D3-xxxx-MW2
x.xx ±0.15	Draw:	Song	2026-06-12
x.xxx ±0.02	Check:	Daniel	2026-06-12

NingBo KLS ELECTRONIC CO.,L TD.

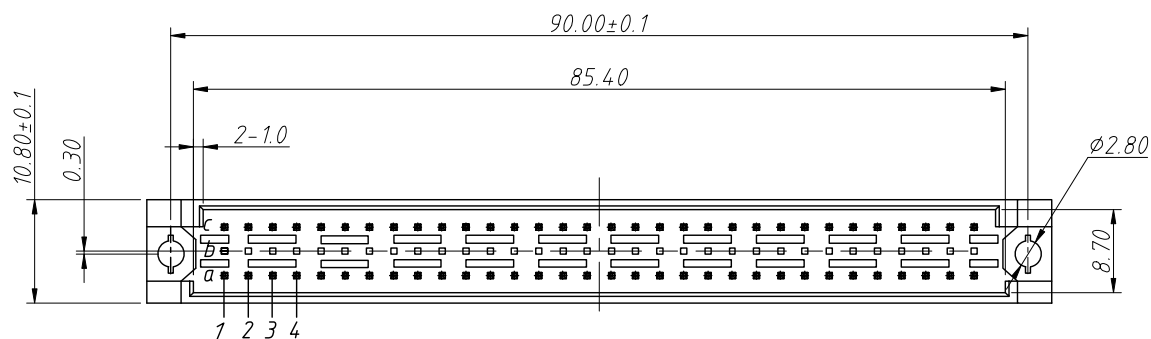
RoHS Compliance

REV	SYM	Revision Record	Appr.	Date
V0	KLS01011	New Version Release	Song	2026-06-12



Material:
Housing:PBT+30%G.F UL 94 V-0
Contacts:Copper Alloy,GF Gold Plating

Electrical:
Current Rating:2 Amps
Contact Resistance:20 mΩ initial
Insulation Resistance:1000 MΩ min @ 500 V DC
Dielectric Withstanding Voltage:1000VAC/minute
Operating temperature:-55°C To +125°C

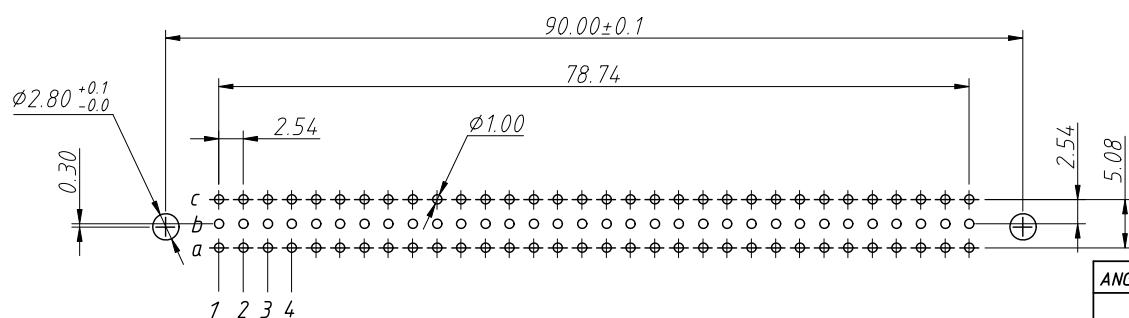


Order Information

L-KLS1-D3-xxxx-M W3

RoHS
SERISE NO.
Part Number:3396.
3264.3132.3348.3232.3116
M-Male
W3-17mm Straight pin

Pitch	Position	Rows with Contact	Contact Arrange	Part Number
2.54mm	96	a b c		3396
	64	a--c		3264
	32	a--		3132
5.08mm	48	a b c		3348
	32	a--c		3232
	16	a--		3116



Recommended PCB Layout
Tolerance:±0.05mm

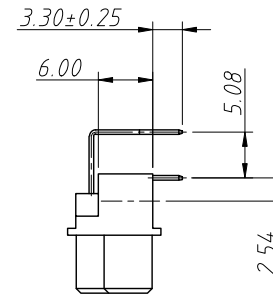
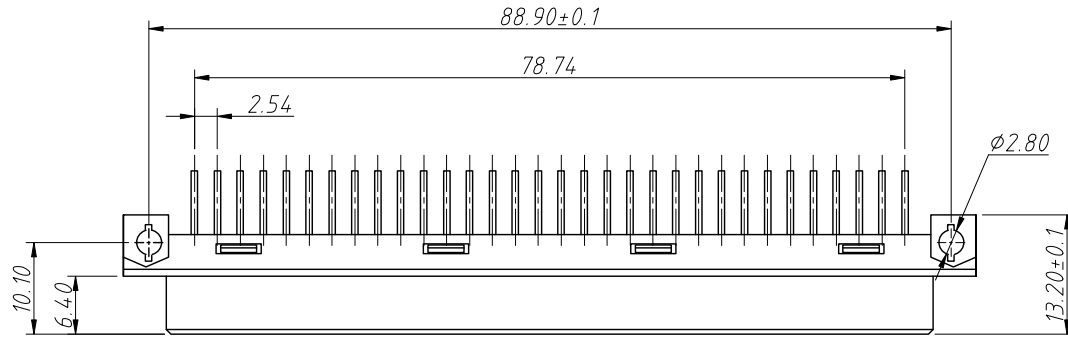
ANGLE TOLERANCE	PROJECTION	Description:	DIN4 1612 Connector,3X32Pin 3 Row, Male, Straight pin
±3°			
GENERAL TOLERANCE	UNITS	mm	KLS P/N: L-KLS1-D3-xxxx-MW3
x.x ±0.20	SHEET SIZE	A4	
x.xx ±0.15	Draw:	Song	2026-06-12
x.xxx ±0.02	Check:	Daniel	2026-06-12



NingBo KLS ELECTRONIC CO.,L TD.

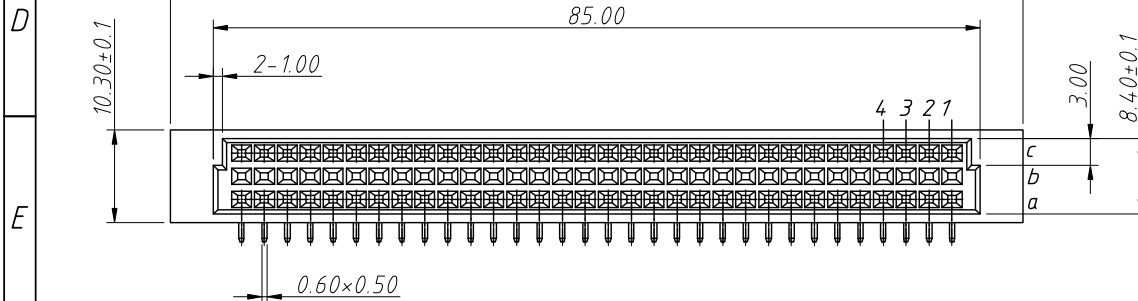
1 RoHS Compliance

REV	SYM	Revision Record	Appr.	Date
V0	KLS01011	New Version Release	Song	2023-11-04



Material:
Housing:PBT+30%G.F UL94 V-0
Contacts:Copper Alloy,GF Gold Plating

Electrical:
Current Rating:2 Amps
Contact Resistance:20 mΩ initial
Insulation Resistance:1000 MΩ min @ 500 V DC
Dielectric Withstanding Voltage:1000 V AC/minute
Operating temperature:-55°C To +125°C

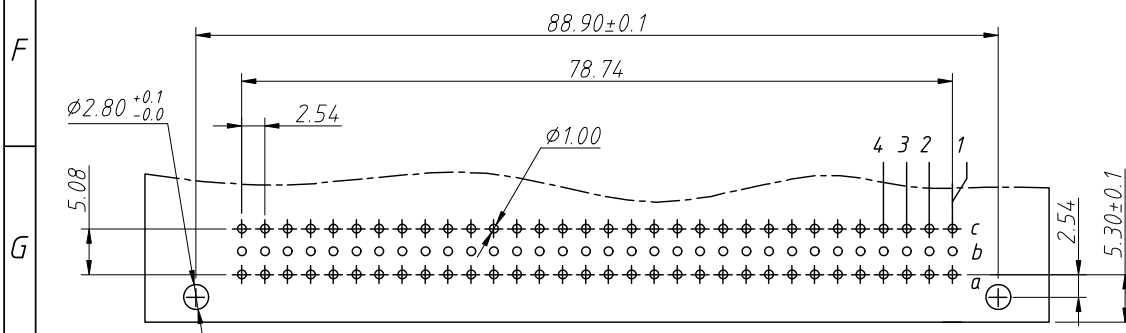


Order Information

L-KLS1-D3-xxxx-F R

RoHS
D3=3X32Pin
3row Long Type
Part Number:3396
3264.3132.3348.3232.3116
F-Female
R-Right angle Pin

Pitch	Position	Rows with Contact	Contact Arrange	Part Number
2.54mm	96	a b c		3396
	64	a--c		3264
	32	a--		3132
5.08mm	48	a b c		3348
	32	a--c		3232
	16	a--		3116



Recommended PCB Layout
Tolerance:±0.05mm

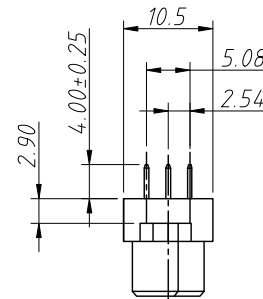
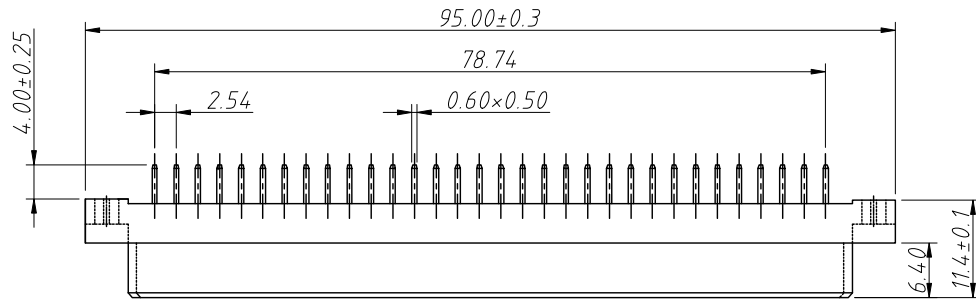
ANGLE TOLERANCE	PROJECTION	Description:	DIN41612 Connector,3X32Pin 3 Row,Female,Right angle Pin
±3°			
GENERAL TOLERANCE	UNITS	mm	KLS P/N:
x.x ±0.20	SHEET SIZE	A4	L-KLS1-D3-xxxx-FR
x.xx ±0.15	Draw:	Song	2023-11-04
x.xxx ±0.02	Check:	Daniel	2023-11-04



NingBo KLS ELECTRONIC CO.,L TD.

RoHS Compliance

REV	SYM	Revision Record	Appr.	Date
V0	KLS01011	New Version Release	Song	2023-11-04



Notes:

1.Material:

Housing:PBT+30%G.F UL 94 V-0

Contacts:Copper Alloy,1u"Gold Plating

2.Electrical:

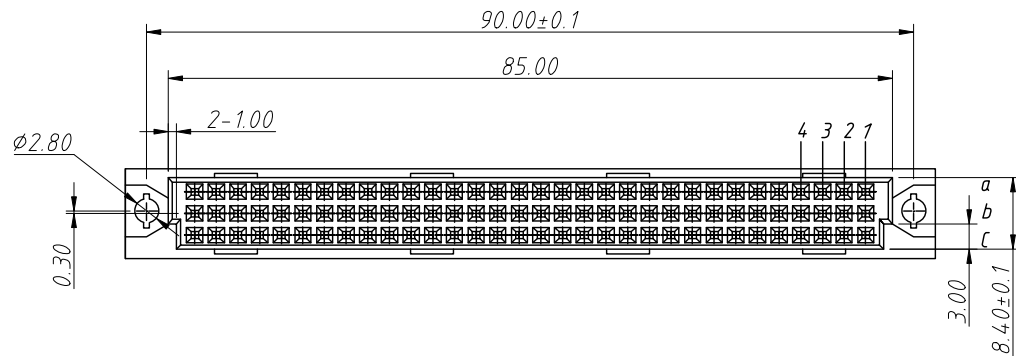
Current Rating:2 Amps

Contact Resistance:20 mΩ initial

Insulation Resistance:1000 MΩ min @ 500 V DC

Dielectric Withstanding Voltage:1000 V AC/minute

Operating temperature:-55°C To +125°C



Pitch	Position	Rows with Contact	Contact Arrange	Part Number
2.54mm	96	a b c		3396
	64	a--c		3264
	32	a--		3132
5.08mm	48	a b c		3348
	32	a--c		3232
	16	a--		3116

Order Information

L-KLS1-D3-xxxx-F S

RoHS

D3=3X32Pin

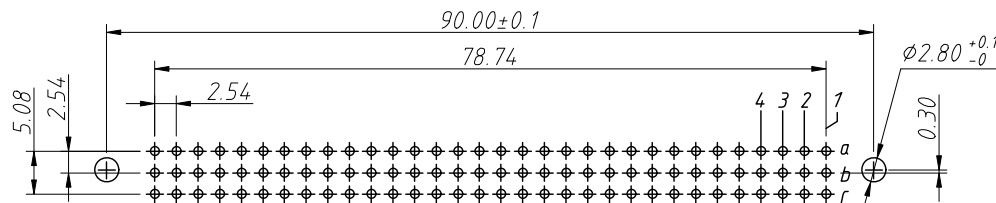
3row Long Type

Part Number:3396

3264.3132.3348.3232.3116

F-Female

S-Straight Pin

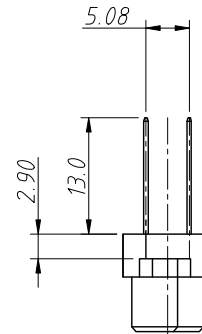
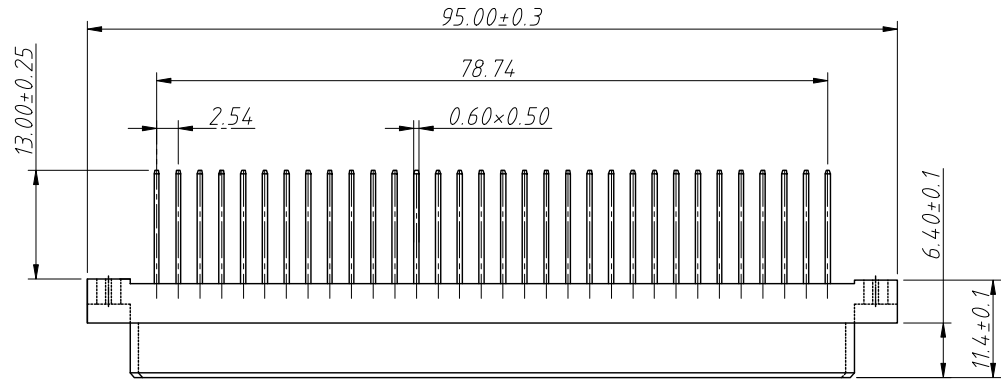


Recommended PCB Layout
Tolerance:±0.05mm

ANGLE TOLERANCE	PROJECTION	Description:
±3°		Pitch2.54mm,96PIN, Female, Straight Pin
GENERAL TOLERANCE	UNITS	mm
x.x ±0.20	SHEET SIZE	A4
x.xx ±0.15	Draw:	Song
x.xxx ±0.02	Check:	Daniel
KLS P/N:		L-KLS1-D3-xxxx-FS
KLS ELECTRONIC		NingBo KLS ELECTRONIC CO.,LTD.

1 RoHS Compliance

REV	SYM	Revision Record	Appr.	Date
V0	KLS01011	New Version Release	Song	2024-01-16



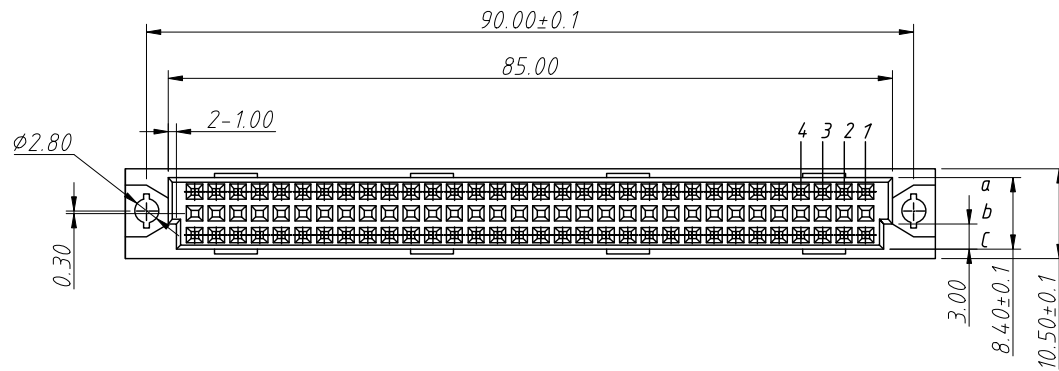
Notes:

1.Material:

Housing:PBT+30%G.F UL 94 V-0
Contacts:Copper Alloy,GF Plating

2.Electrical:

Current Rating:2 Amps
Contact Resistance:20 mΩ initial
Insulation Resistance:1000 MΩ min @ 500 V DC
Dielectric Withstanding Voltage:1000 V AC/minute
Operating Temperature:-55°C To +125°C
Packing:Tray

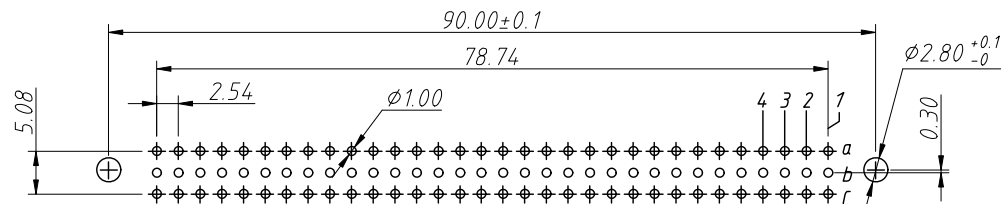


Pitch	Position	Rows with Contact	Contact Arrange	Part Number
2.54mm	96	a b c		3396
	64	a--c		3264
	32	a--		3132
5.08mm	48	a b c		3348
	32	a--c		3232
	16	a--		3116

Order Information

L-KLS1-D3-xxxx-F W1

RoHS
D3=3X32Pin
3 Row Long Type
Part Number:3396
3264.3132.3348.3232.3116
F-Female
W1-13mm Straight pin



Recommended PCB Layout
Tolerance:±0.05mm

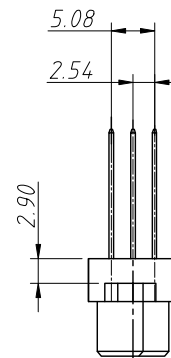
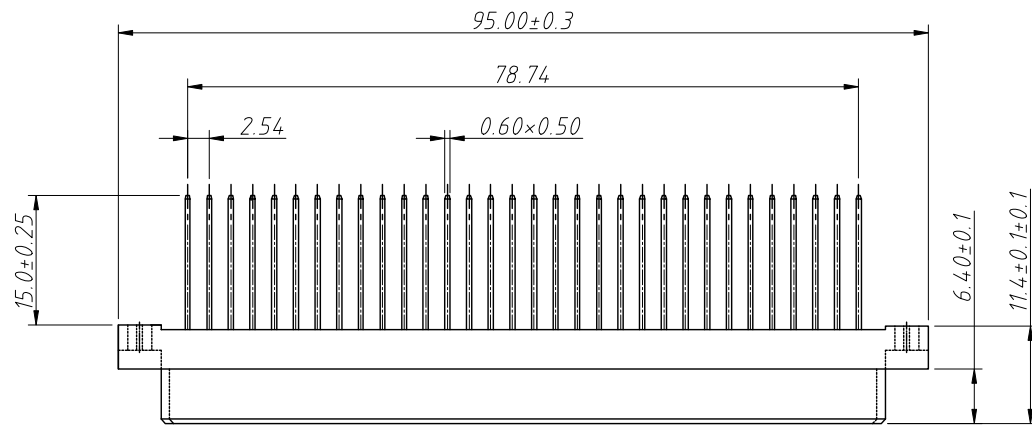
ANGLE TOLERANCE	PROJECTION	Description:	Pitch 2.54mm,Female,Straight Pin
±3°			
GENERAL TOLERANCE	UNITS	mm	KLS P/N:
x.x ±0.30	SHEET SIZE	A4	L-KLS1-D3-xxxx-FW1
x.xx ±0.20	Draw:	Song	2024-01-16
x.xxx ±0.10	Check:	Daniel	2024-01-16



NingBo KLS ELECTRONIC CO.,L TD.

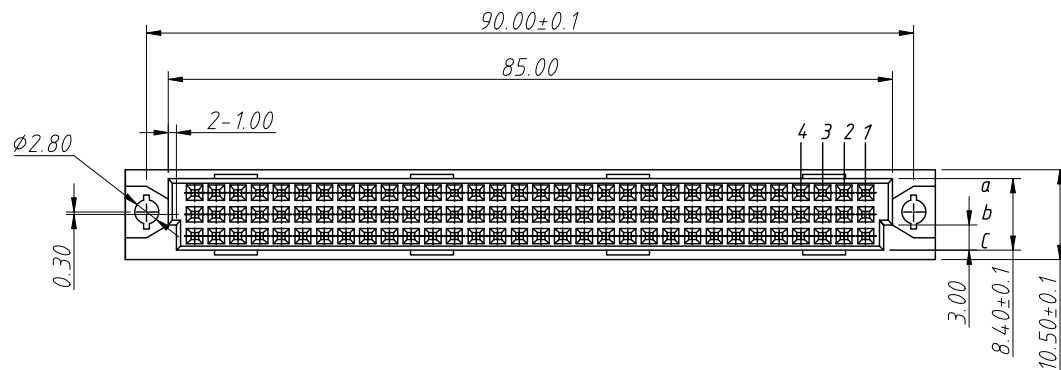
1 RoHS Compliance

REV	SYM	Revision Record	Appr.	Date
V0	KLS01011	New Version Release	Song	2026-06-12



Material:
Housing:PBT+30%G.F UL94 V-0
Contacts:Copper Alloy,GF Gold Plating

Electrical:
Current Rating:2 Amps
Contact Resistance:20 mΩ initial
Insulation Resistance:1000 MΩ min @ 500 V DC
Dielectric Withstanding Voltage:1000 V AC/minute
Operating temperature:-55°C To +125°C



Order Information

L-KLS1-D3-xxxx-F W2

RoHS

Serialize NO.

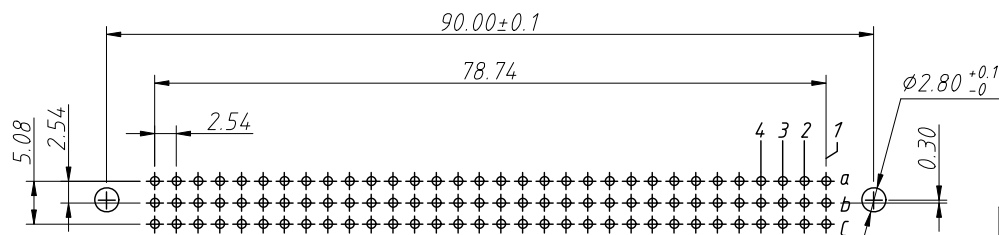
Part Number:3396

3264.3132.3348.3232.3116

F-Female

W2-15 Straight Pin

Pitch	Position	Rows with Contact	Contact Arrange	Part Number
2.54mm	96	a b c		3396
	64	a--c		3264
	32	a--		3132
5.08mm	48	a b c		3348
	32	a--c		3232
	16	a--		3116



Recommended PCB Layout
Tolerance:±0.05mm

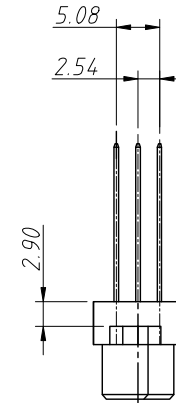
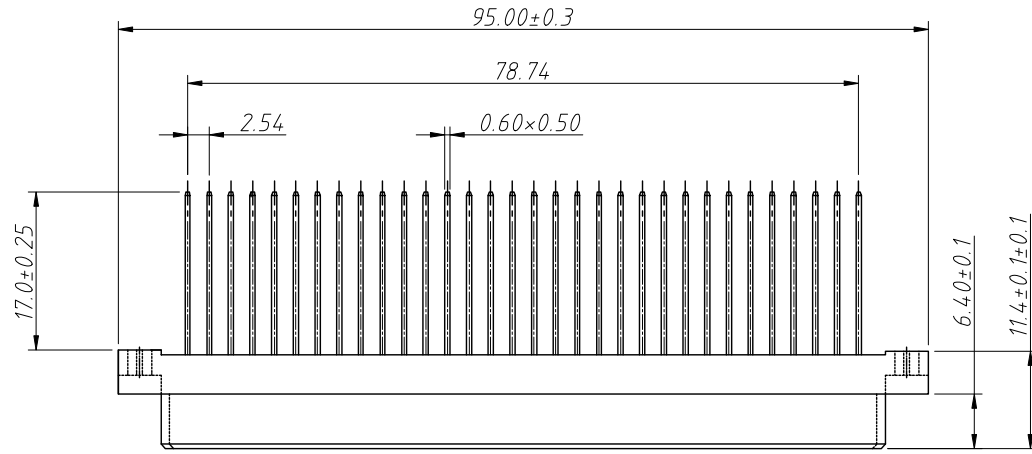
ANGLE TOLERANCE	PROJECTION	Description:	DIN4 1612 Connector,3X32Pin
±3°			3 Row,Female,Straight pin
GENERAL TOLERANCE	UNITS	mm	KLS P/N:
x.x ±0.20	SHEET SIZE	A4	L-KLS1-D3-xxxx-FW2
x.xx ±0.15	Draw:	Song	2026-06-12
x.xxx ±0.02	Check:	Daniel	2026-06-12



NingBo KLS ELECTRONIC CO.,L TD.

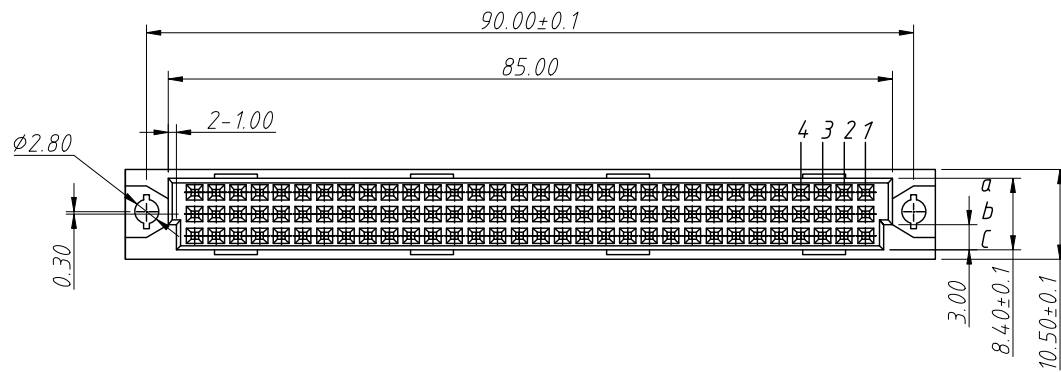
1 RoHS Compliance

REV	SYM	Revision Record	Appr.	Date
V0	KLS01011	New Version Release	Song	2026-06-12



Material:
 Housing:PBT+30%G.F UL94 V-0
 Contacts:Copper Alloy,GF Gold Plating

Electrical:
 Current Rating:2 Amps
 Contact Resistance:20 mΩ initial
 Insulation Resistance:1000 MΩ min @ 500 V DC
 Dielectric Withstanding Voltage:1000 V AC/minute
 Operating temperature:-55°C To +125°C



Order Information

L-KLS1-D3-xxxx-F W3

RoHS

Series NO.

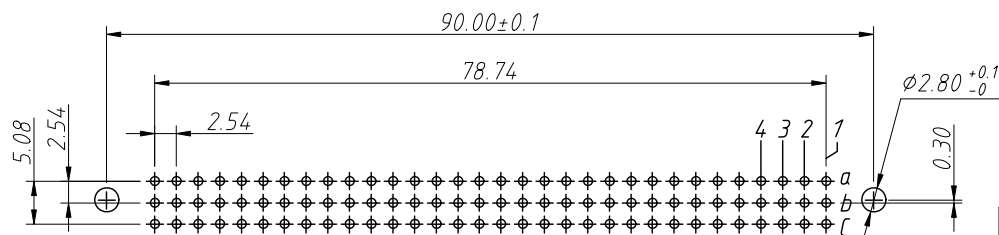
Part Number:3396

3264.3132.3348.3232.3116

F-Female

W3-17 Straight Pin

Pitch	Position	Rows with Contact	Contact Arrange	Part Number
2.54mm	96	a b c		3396
	64	a--c		3264
	32	a--		3132
5.08mm	48	a b c		3348
	32	a--c		3232
	16	a--		3116



Recommended PCB Layout
 Tolerance:±0.05mm

ANGLE TOLERANCE	PROJECTION	Description:	DIN4 1612 Connector,3X32Pin
±3°			3 Row,Female,Straight pin
GENERAL TOLERANCE	UNITS	mm	KLS P/N:
x.x ±0.20	SHEET SIZE	A4	L-KLS1-D3-xxxx-FW3
x.xx ±0.15	Draw:	Song	2026-06-12
x.xxx ±0.02	Check:	Daniel	2026-06-12



NingBo KLS ELECTRONIC CO.,L TD.