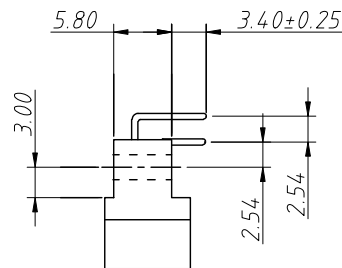
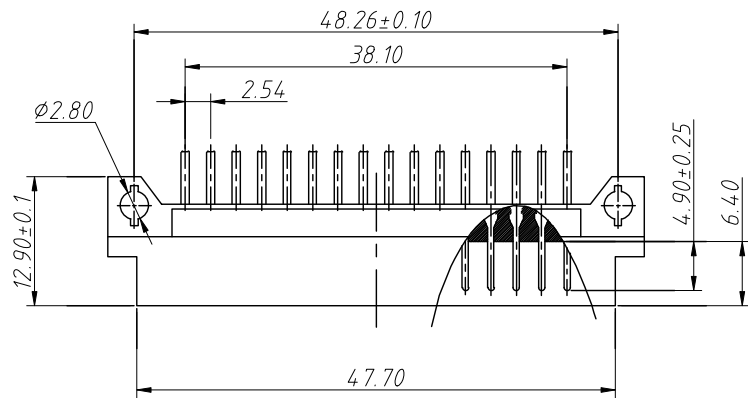


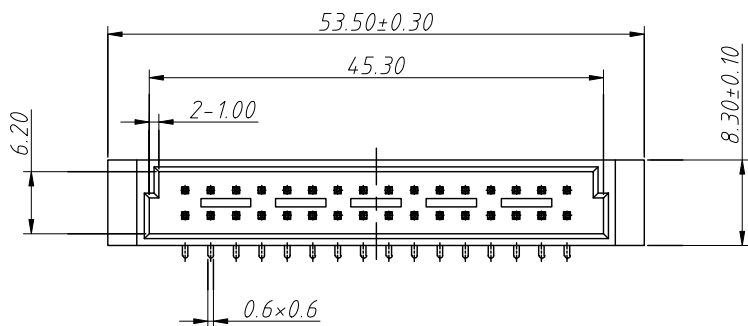
1 RoHS Compliance

REV	SYM	Revision Record	Appr.	Date
V0	KLS01011	New Version Release	Song	2025-09-01



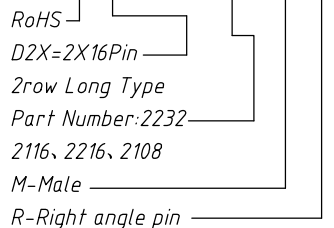
Material:  
Housing:PBT+30%G.F UL94V-0  
Contacts:Copper Alloy,GF Gold Plated

Electrical:  
Current Rating:2 Amps  
Contact Resistance:20 mΩ initial  
Insulation Resistance:1000 MΩ min @ 500 V DC  
Dielectric Withstanding Voltage:1000 V AC/minute  
Operating temperature:-55°C To +125°C

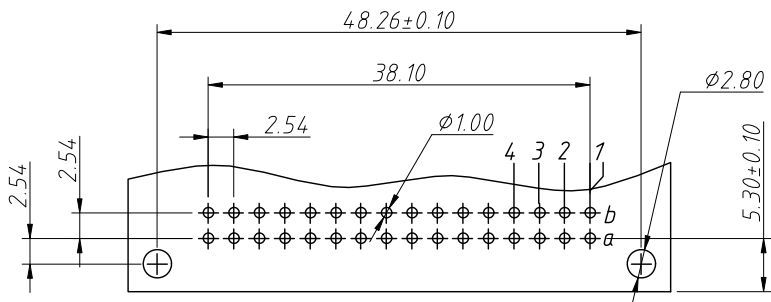


Order Information

L-KLS1-D2X-xxxx-MR



Pitch	Position	Rows with Contact	Contact Arrange	Part Number
2.54mm	32	a b		2232
	16	a -		2116
5.08mm	16	a b		2216
	8	a -		2108

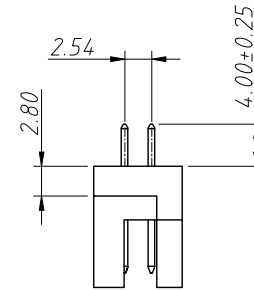
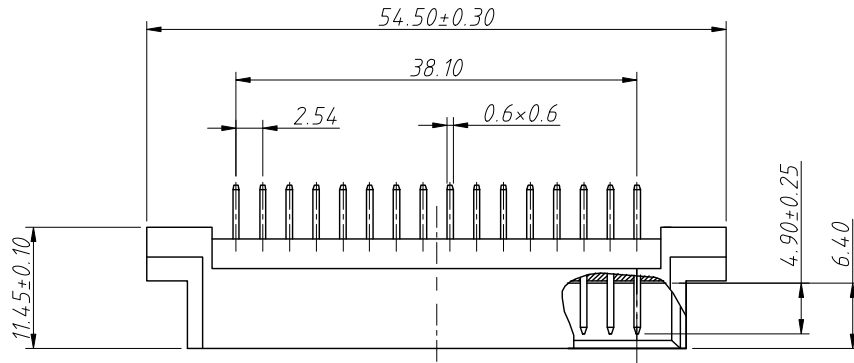


Recommended PCB Layout  
Tolerance:±0.05mm

ANGLE TOLERANCE	PROJECTION	Description:		
±3°		DIN4 1612 Connector, 2x16Pin Two Row, Male, Right angle pin		
GENERAL TOLERANCE	UNITS	mm	KLS P/N:	L-KLS1-D2X-xxxx-MR
.x ±0.30	SHEET SIZE	A4		
.xx ±0.20	Draw:	Song	2025-09-02	NingBo KLS ELECTRONIC CO.,LTD.
.xxx ±0.10	Check:	Daniel	2025-09-02	

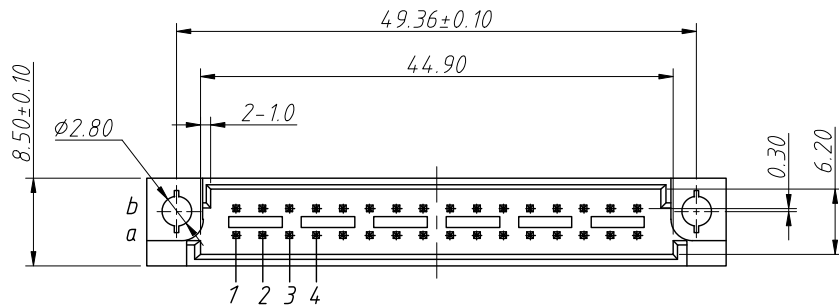
1 RoHS Compliance

7		8		
REV	SYM	Revision Record	Appr.	Date
V0	KLS01011	New Version Release	Song	2025-09-01



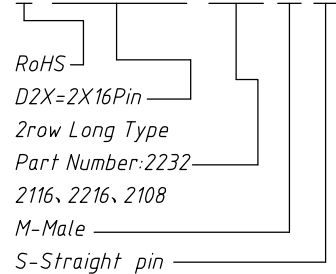
Material:  
Housing:PBT+30%G.F UL94V-0  
Contacts:Copper Alloy,GF Gold Plated

Electrical:  
Current Rating:2 Amps  
Contact Resistance:20 mΩ initial  
Insulation Resistance:1000 MΩ min @ 500 V DC  
Dielectric Withstanding Voltage:1000 V AC/minute  
Operating temperature:-55°C To +125°C

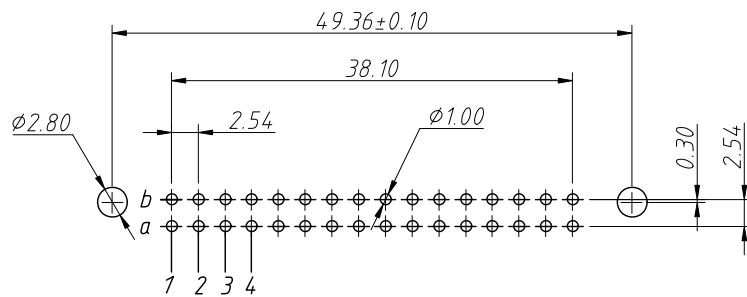


Order Information

L-KLS1-D2X-xxxx-MS



Pitch	Position	Rows with Contact	Contact Arrange	Part Number
2.54mm	32	a b		2232
	16	a -		2116
5.08mm	16	a b		2216
	8	a -		2108

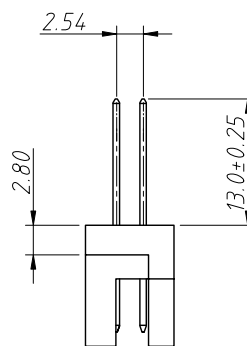
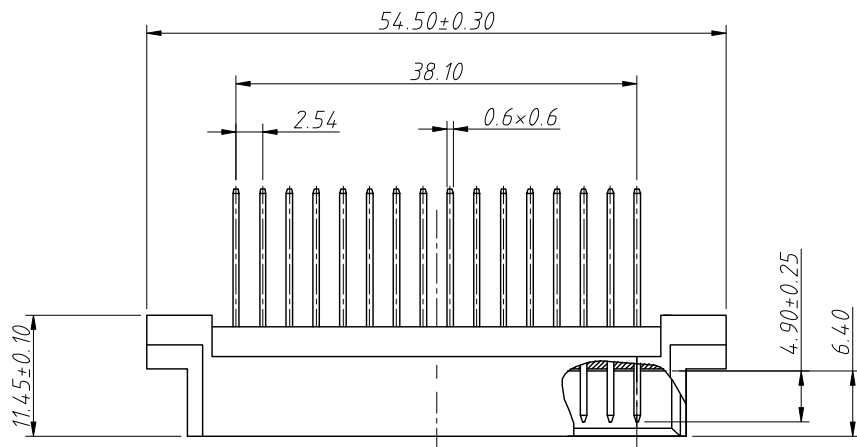


Recommended PCB Layout  
Tolerance:±0.05mm

ANGLE TOLERANCE	PROJECTION	Description:		
±3°		DIN41612 Connector, 2x16Pin Two Row, Male, Straight pin		
GENERAL TOLERANCE	UNITS	mm	KLS P/N:	L-KLS1-D2X-xxxx-MS
.x ±0.30	SHEET SIZE	A4		
.xx ±0.20	Draw:	Song	2025-09-02	NingBo KLS ELECTRONIC CO.,LTD.
.xxx ±0.10	Check:	Daniel	2025-09-02	

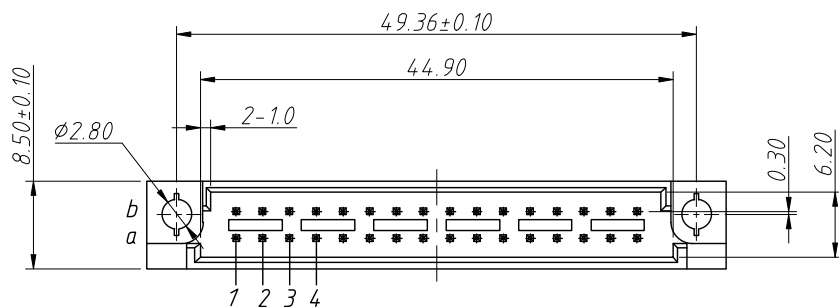
1 RoHS Compliance

7		8		
REV	SYM	Revision Record	Appr.	Date
V0	KLS01011	New Version Release	Song	2026-06-09



Material:  
 Housing:PBT+30%G.F UL94V-0  
 Contacts:Copper Alloy,GF Gold Plated

Electrical:  
 Current Rating:2 Amps  
 Contact Resistance:20 mΩ initial  
 Insulation Resistance:1000 MΩ min @ 500 V DC  
 Dielectric Withstanding Voltage:1000 V AC/minute  
 Operating temperature:-55°C To +125°C

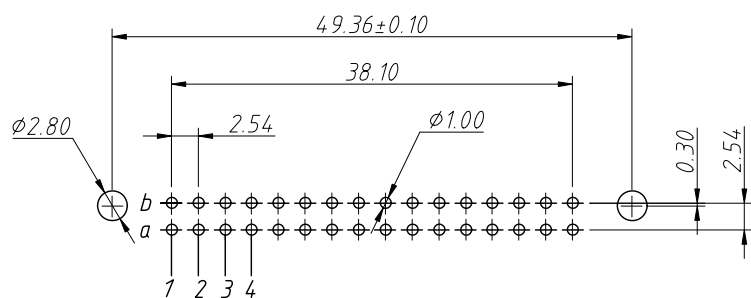


Order Information

L-KLS1-D2X-xxxx-M W1

RoHS  
 D2X=2X16Pin  
 2row Long Type  
 Part Number:2232  
 2116, 2216, 2108  
 M-Male  
 W1-13mm Straight pin

Pitch	Position	Rows with Contact	Contact Arrange	Part Number
2.54mm	32	a b		2232
	16	a -		2116
5.08mm	16	a b		2216
	8	a -		2108

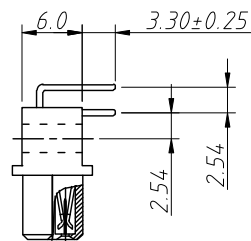
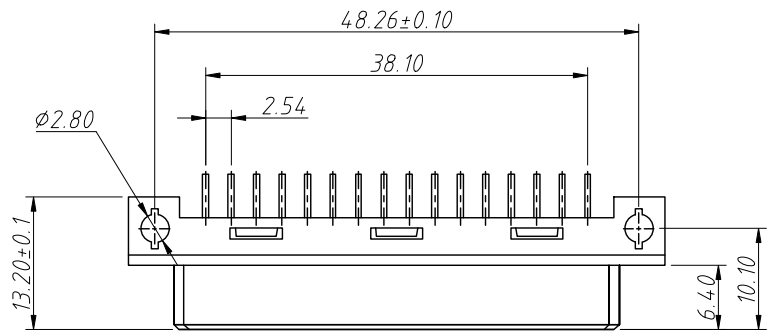


Recommended PCB Layout  
 Tolerance:±0.05mm

ANGLE TOLERANCE	PROJECTION	Description:		
±3°		DIN4 1612 Connector, 2x16Pin Two Row, Male, Straight pin		
GENERAL TOLERANCE	UNITS	mm	KLS P/N:	L-KLS1-D2X-xxxx-MW1
.x ±0.30	SHEET SIZE	A4		
.xx ±0.20	Draw:	Song	2026-06-09	NingBo KLS ELECTRONIC CO.,L TD.
.xxx ±0.10	Check:	Daniel	2026-06-09	

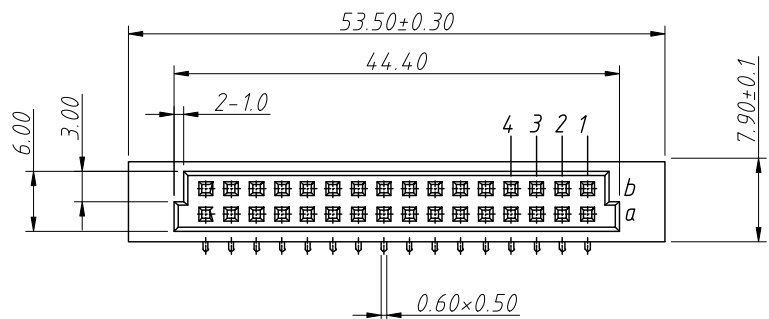
1 RoHS Compliance

7		8		
REV	SYM	Revision Record	Appr.	Date
V0	KLS01011	New Version Release	Song	2025-09-01



Material:  
Housing:PBT+30%G.F UL94V-0  
Contacts:Copper Alloy,G/F Gold Plated

Electrical:  
Current Rating:2 Amps  
Contact Resistance:20 mΩ initial  
Insulation Resistance:1000 MΩ min @ 500 V DC  
Dielectric Withstanding Voltage:1000 V AC/minute  
Operating temperature:-55°C To +125°C

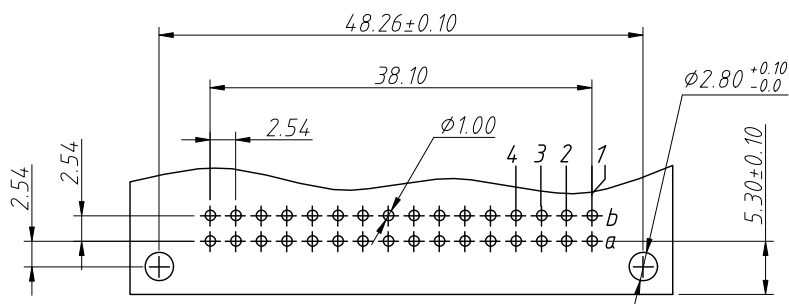


Order Information

L-KLS1-D2X-xxxx-F R

- RoHS
- D2X=2X16Pin
- 2row Short Type
- Part Number:2232
- 2116, 2216, 2108
- F-Female
- R-Right angle pin

Pitch	Position	Rows with Contact	Contact Arrange	Part Number
2.54mm	32	a b		2232
	16	a -		2116
5.08mm	16	a b		2216
	8	a -		2108

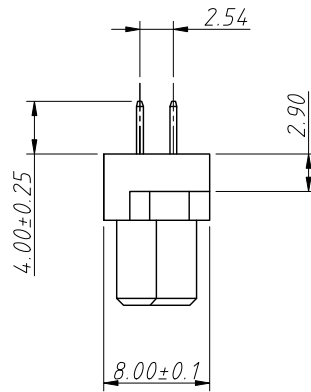
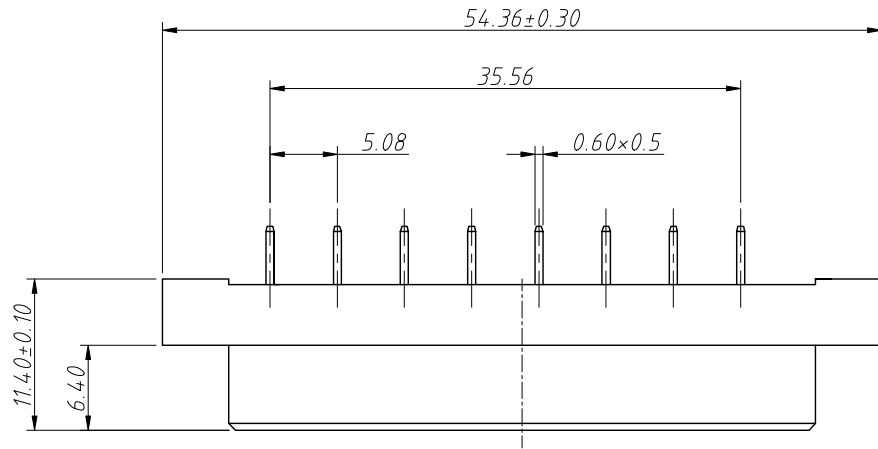


Recommended PCB Layout  
Tolerance:±0.05mm

ANGLE TOLERANCE	PROJECTION	Description:		
±3°		DIN4 1612 Connector, 2x16Pin Two Row, Female, Right angle pin		
GENERAL TOLERANCE	UNITS	mm	KLS P/N:	L-KLS1-D2X-xxxx-FR
.x ±0.30	SHEET SIZE	A4		
.xx ±0.20	Draw:	Song	2025-09-02	NingBo KLS ELECTRONIC CO.,L TD.
.xxx ±0.10	Check:	Daniel	2025-09-02	

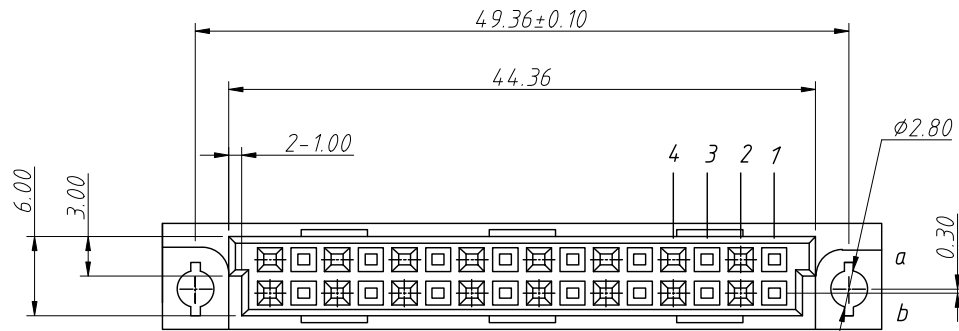
RoHS Compliance

REV	SYM	Revision Record	Appr.	Date
V0	KLS01011	New Version Release	Song	2025-05-29



Material:  
 Housing: PBT+30%G.F UL 94 V-0  
 Contacts: Copper Alloy, G/F Gold Plated

Electrical:  
 Current Rating: 2 Amps  
 Contact Resistance: 20 mΩ initial  
 Insulation Resistance: 1000 MΩ min @ 500 V DC  
 Dielectric Withstanding Voltage: 1000 V AC/minute  
 Operating temperature: -55°C To +125°C

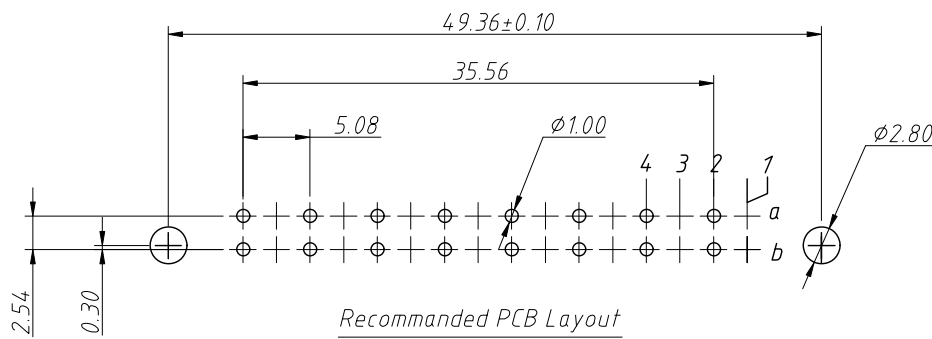


Order Information

L-KLS1-D2X-xxxx-F S

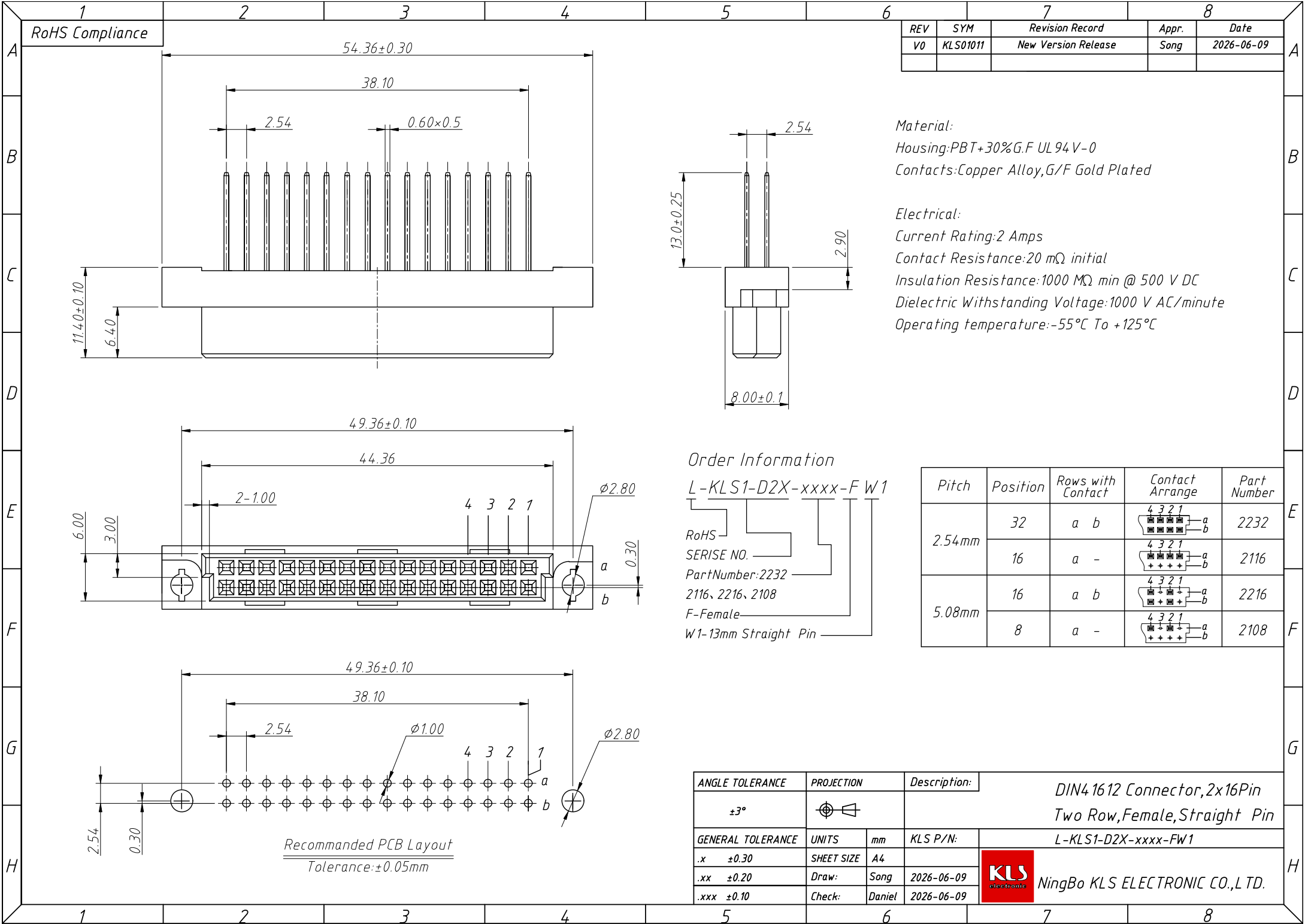
- RoHS
- D2=2X16Pin
- 2row Short Type
- Part NO.: 2232
- 2116, 2216, 2108
- F-Female
- S-Straight Pin

Pitch	Position	Rows with Contact	Contact Arrange	Part Number
2.54mm	32	a b		2232
	16	a -		2116
5.08mm	16	a b		2216
	8	a -		2108



Recommended PCB Layout  
 Tolerance: ±0.05mm

ANGLE TOLERANCE	PROJECTION	Description: DIN4 1612 Connector, 2x16Pin Two Row, Female, Straight Pin		
±3°				
GENERAL TOLERANCE	UNITS	mm	KLS P/N:	L-KLS1-D2X-xxxx-FS
.x ±0.30	SHEET SIZE	A4		
.xx ±0.20	Draw:	Song	2025-05-29	NingBo KLS ELECTRONIC CO.,L TD.
.xxx ±0.10	Check:	Daniel	2025-05-29	



REV	SYM	Revision Record	Appr.	Date
V0	KLS01011	New Version Release	Song	2026-06-09

Material:  
 Housing: PBT+30%G.F UL 94 V-0  
 Contacts: Copper Alloy, G/F Gold Plated

Electrical:  
 Current Rating: 2 Amps  
 Contact Resistance: 20 mΩ initial  
 Insulation Resistance: 1000 MΩ min @ 500 V DC  
 Dielectric Withstanding Voltage: 1000 V AC/minute  
 Operating temperature: -55°C To +125°C

**Order Information**

L-KLS1-D2X-xxxx-F W1

RoHS  
 SERISE NO.  
 PartNumber: 2232  
 2116, 2216, 2108  
 F-Female  
 W1-13mm Straight Pin

Pitch	Position	Rows with Contact	Contact Arrange	Part Number
2.54mm	32	a b		2232
	16	a -		2116
5.08mm	16	a b		2216
	8	a -		2108

Recommended PCB Layout  
 Tolerance: ±0.05mm

ANGLE TOLERANCE	PROJECTION	Description:	DIN41612 Connector, 2x16Pin	
±3°			Two Row, Female, Straight Pin	
GENERAL TOLERANCE	UNITS	mm	KLS P/N:	L-KLS1-D2X-xxxx-FW1
.x ±0.30	SHEET SIZE	A4		
.xx ±0.20	Draw:	Song	2026-06-09	NingBo KLS ELECTRONIC CO.,L TD.
.xxx ±0.10	Check:	Daniel	2026-06-09	