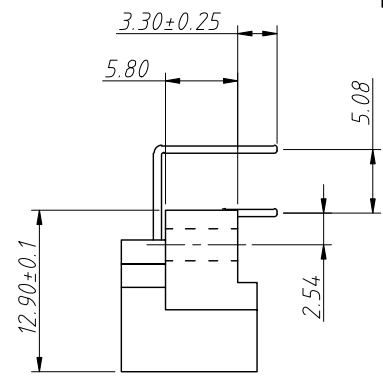
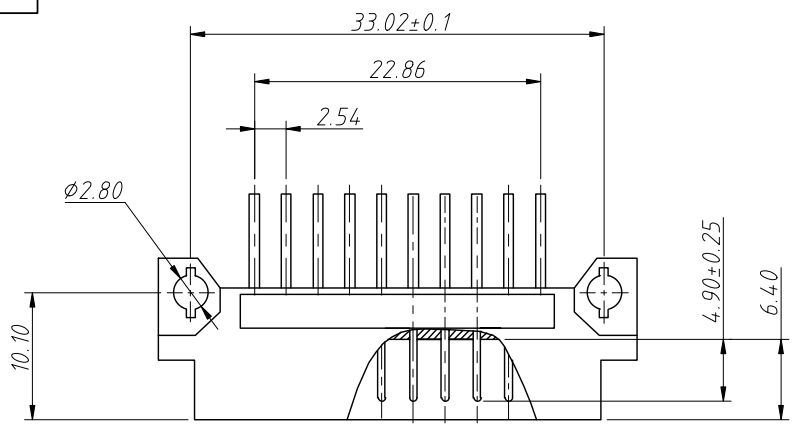


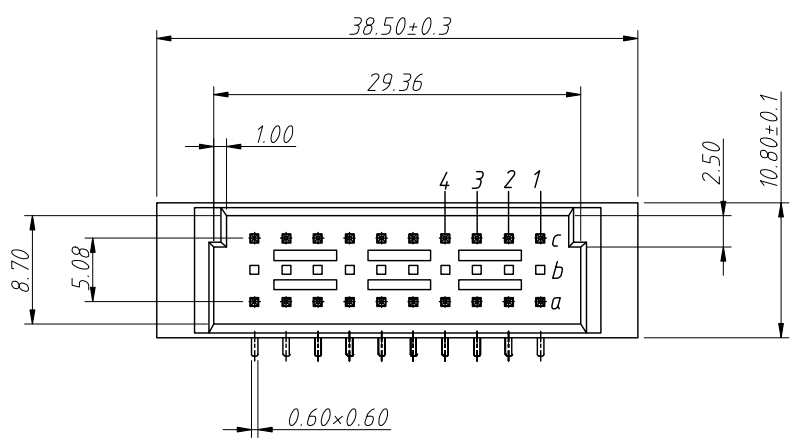
1  
RoHS Compliance

7		8	
REV	SYM	Revision Record	Appr.
V0	KLS01011	New Version Release	Song
		Date	
		2024-09-23	



Note:  
Material:  
Housing:PBT+30%G.F UL 94 V-0  
Contacts:Copper Alloy

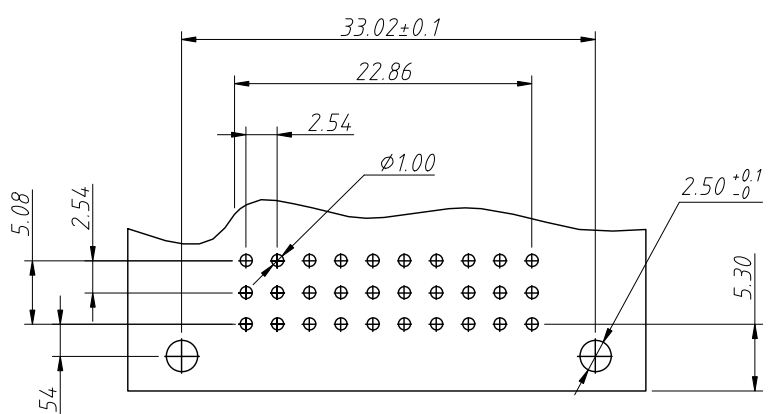
Electrical  
Current Rating:2 A  
Contact Resistance:20 mΩ Initial  
Insulation Resistance:1000 MΩ Min @ 500 VDC  
Dielectric Withstanding Voltage:1000 VAC / Minute  
Operating Temperature:-55°C To +125°C



Order Information  
L-KLS1-D3Q-xxxx-M R

RoHS  
Series NO.  
Part NO.:3330,3220  
3220A, 3110, 3315,  
3210, 3210A, 3105  
M-Male  
R-Right Pin

Pitch	Position	Rows with Contact	Contact Arrange	Part Number
2.54	30	a b c		3330
	20	a - c		3220
	20	a b -		3220A
	10	a - -		3110
5.08mm	15	a b c		3315
	10	a - c		3210
	10	a b -		3210A
	5	a - -		3105

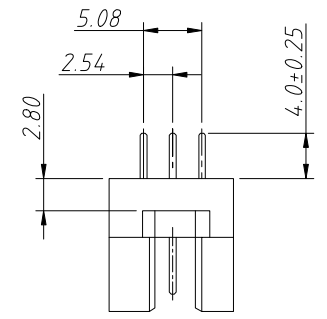
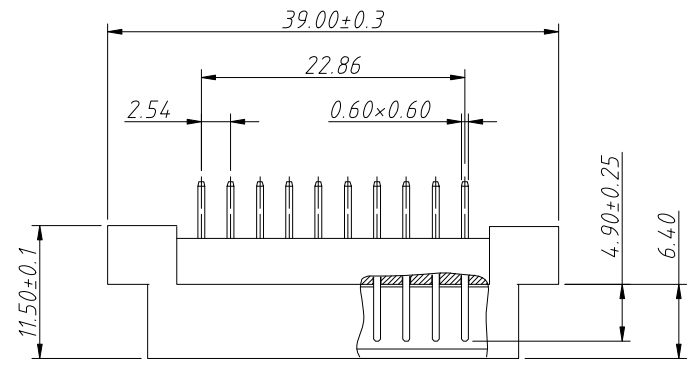


Recommended PCB Layout  
Tolerance:±0.05mm

ANGLE TOLERANCE	PROJECTION	Description:		
±3°		DIN 41612 Connector		
GENERAL TOLERANCE	UNITS	mm	KLS P/N:	L-KLS1-D3Q-xxxx-MR
.x ±0.30	SHEET SIZE	A4		
.xx ±0.20	Draw:	Song	2024-09-23	NingBo KLS ELECTRONIC CO.,L TD.
.xxx ±0.10	Check:	Daniel	2024-09-23	

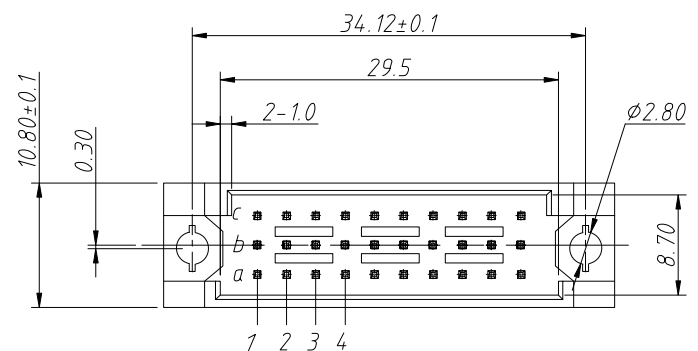
1  
RoHS Compliance

7		8	
REV	SYM	Revision Record	Appr.
V0	KLS01011	New Version Release	Song
			Date
			2026-06-16



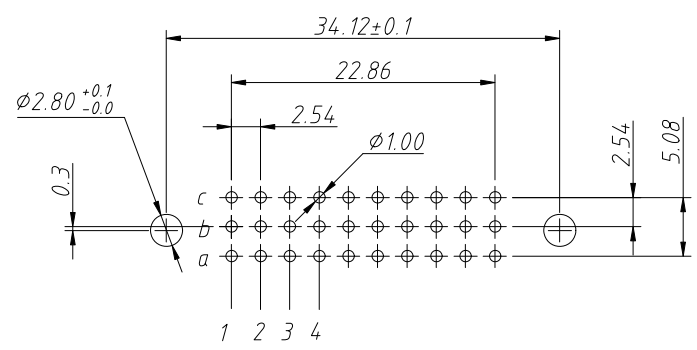
Material:  
Housing:PBT+30%G.F UL94 V-0  
Contacts:Copper Alloy,G/F Gold Plated

Electrical  
Current Rating:2 A  
Contact Resistance:20 mΩ Initial  
Insulation Resistance:1000 MΩ Min @ 500 VDC  
Dielectric Withstanding Voltage:1000 VAC / Minute  
Operating Temperature:-55°C To +125°C



Order Information  
L-KLS1-D3Q-xxxx-MS  
RoHS  
SERISE NO.  
Part NO.:3330  
3220, 3110, 3315, 3210, 3105  
M-Male  
S-Straight pin

Pitch	Position	Rows with Contact	Contact Arrange	Part Number
2.54	30	a b c		3330
	20	a - c		3220
	10	a - -		3110
5.08mm	15	a b c		3315
	10	a - c		3210
	5	a - -		3105

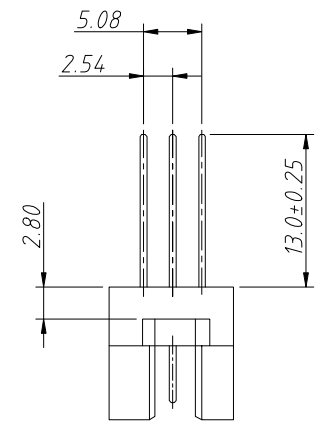
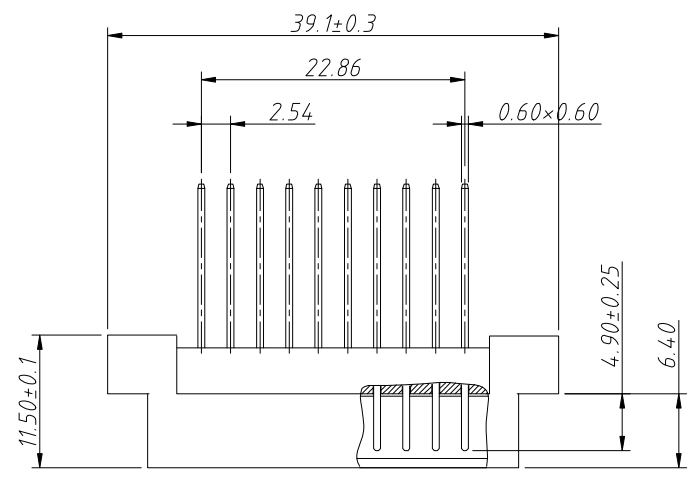


Recommended PCB Layout  
Tolerance:±0.05mm

ANGLE TOLERANCE	PROJECTION	Description:	DIN41612 Connector,3x10Pin 3 Row, Male, Straight pin	
±3°				
GENERAL TOLERANCE	UNITS	mm	KLS P/N:	L-KLS1-D3Q-xxxx-MS
x.x ±0.30	SHEET SIZE	A4		
x.xx ±0.20	Draw:	Song	2026-06-16	NingBo KLS ELECTRONIC CO.,L TD.
x.xxx ±0.10	Check:	Daniel	2026-06-16	

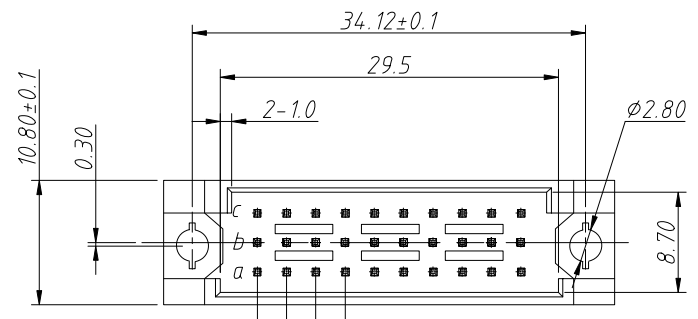
1  
RoHS Compliance

7		8	
REV	SYM	Revision Record	Appr.
VO	KLS01011	New Version Release	Song
			Date
			2026-06-16



Material:  
Housing:PBT+30%G.F UL94 V-0  
Contacts:Copper Alloy,G/F Gold Plated

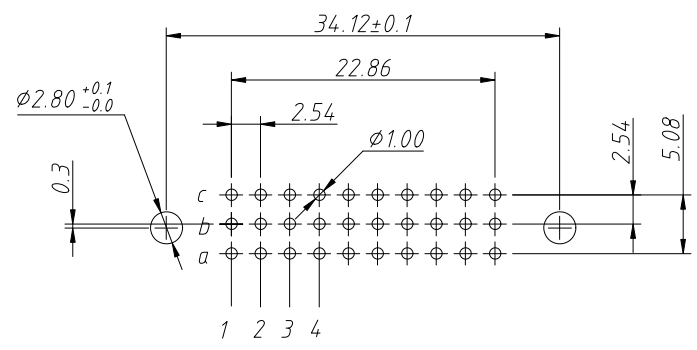
Electrical  
Current Rating:2 A  
Contact Resistance:20 mΩ Initial  
Insulation Resistance:1000 MΩ Min @ 500 VDC  
Dielectric Withstanding Voltage:1000 VAC / Minute  
Operating Temperature:-55°C To +125°C



Order Information  
L-KLS1-D3Q- xxxx-M W1

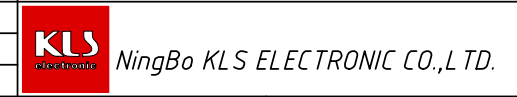
RoHS  
SERISE NO.  
Part NO.:3330  
3220, 3110, 3315, 3210, 3105  
M-Male  
W1-13mm Straight pin

Pitch	Position	Rows with Contact	Contact Arrange	Part Number
2.54	30	a b c		3330
	20	a - c		3220
	10	a - -		3110
5.08mm	15	a b c		3315
	10	a - c		3210
	5	a - -		3105



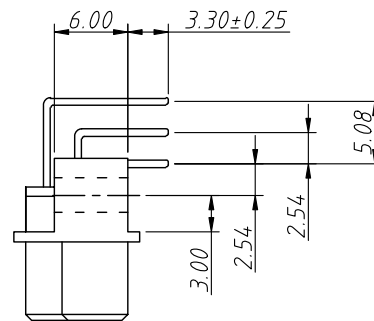
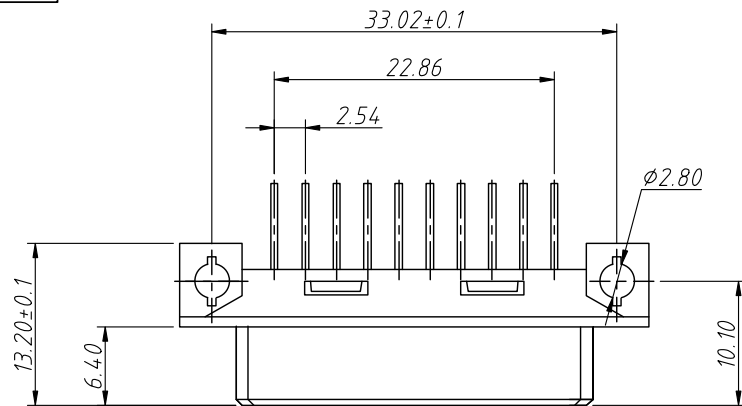
Recommended PCB Layout  
Tolerance:±0.05mm

ANGLE TOLERANCE	PROJECTION	Description:	DIN41612 Connector,3x10Pin 3 Row, Male, Straight pin
±3°			
GENERAL TOLERANCE	UNITS	mm	KLS P/N: L-KLS1-D3Q-xxxx-MW1
x.x ±0.30	SHEET SIZE	A4	
x.xx ±0.20	Draw:	Song	2026-06-16
x.xxx ±0.10	Check:	Daniel	2026-06-16



1 RoHS Compliance

REV	SYM	Revision Record	Appr.	Date
V0	KLS01011	New Version Release	Song	2025-09-03



Note:

Material:

Housing: PBT+30%G.F UL 94 V-0

Contacts: Copper Alloy

Electrical

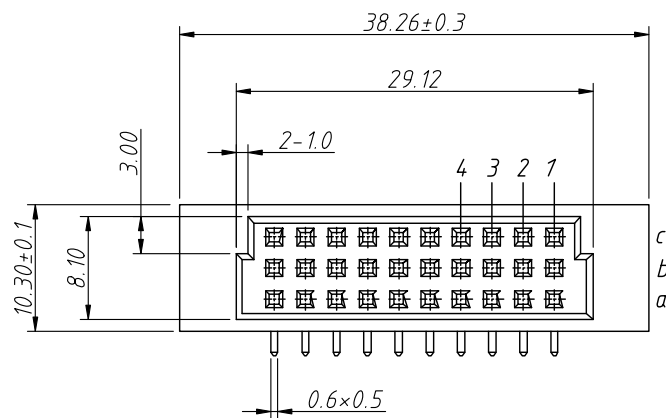
Current Rating: 2 A

Contact Resistance: 20 mΩ Initial

Insulation Resistance: 1000 MΩ Min @ 500 VDC

Dielectric Withstanding Voltage: 1000 VAC / Minute

Operating Temperature: -55°C To +125°C



Order Information

L-KLS1-D3Q-xxxx-F R

RoHS

Series NO.

Part NO.: 3330, 3220

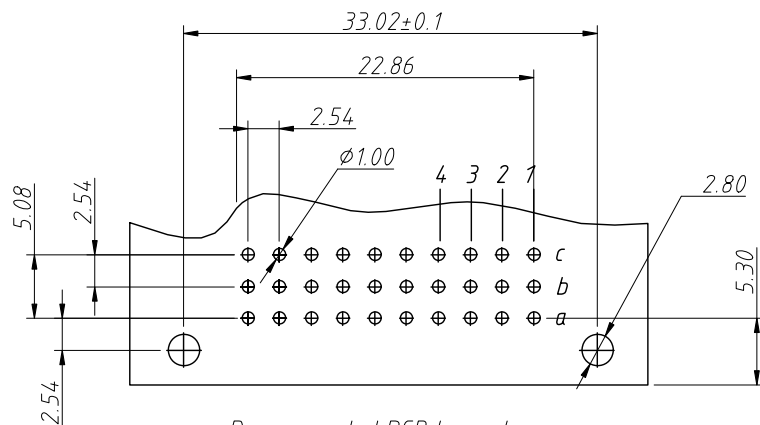
3220A, 3110, 3315,

3210, 3210A, 3105

F-Female

R-Right Pin

Pitch	Position	Rows with Contact	Contact Arrange	Part Number
2.54	30	a b c		3330
	20	a - c		3220
	20	a b -		3220A
	10	a - -		3110
5.08mm	15	a b c		3315
	10	a - c		3210
	10	a b -		3210A
	5	a - -		3105

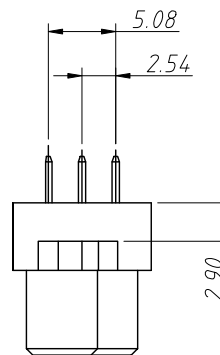
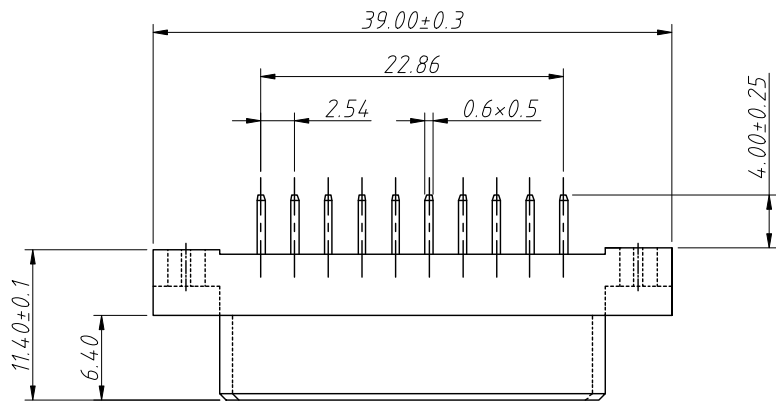


Recommended PCB Layout  
Tolerance: ±0.05mm

ANGLE TOLERANCE	PROJECTION	Description:		
±3°		DIN 41612 Connector		
GENERAL TOLERANCE	UNITS	mm	KLS P/N:	L-KLS1-D3Q-xxxx-FR
.x ±0.30	SHEET SIZE	A4		
.xx ±0.20	Draw:	Song	2025-09-03	NingBo KLS ELECTRONIC CO.,L TD.
.xxx ±0.10	Check:	Daniel	2025-09-03	

1 RoHS Compliance

7		8	
REV	SYM	Revision Record	Appr.
VO	KLS01011	New Version Release	Song
			Date
			2025-12-10



Note:

Material:

Housing:PBT+30%G.F UL 94 V-0

Contacts:Copper Alloy,G/F

Electrical

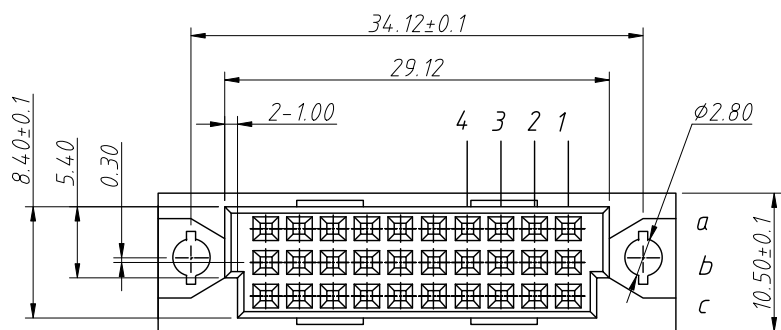
Current Rating:2 A

Contact Resistance:20 mΩ Initial

Insulation Resistance:1000 MΩ Min @ 500 VDC

Dielectric Withstanding Voltage:1000 VAC / Minute

Operating Temperature:-55°C To +125°C



Order Information

L-KLS1-D3Q-xxxx-F S

RoHS

Series NO.

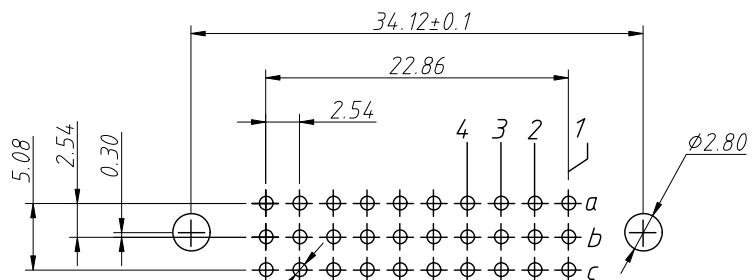
Part NO.:3330, 3220

3110, 3315, 3210, 3105

F-Female

S-Straight Pin

Pitch	Position	Rows with Contact	Contact Arrange	Part Number
2.54	30	a b c		3330
	20	a - c		3220
	10	a - -		3110
5.08mm	15	a b c		3315
	10	a - c		3210
	5	a - -		3105

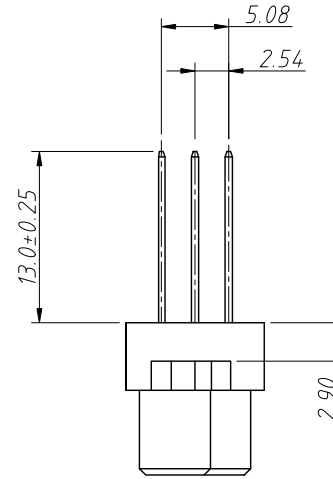
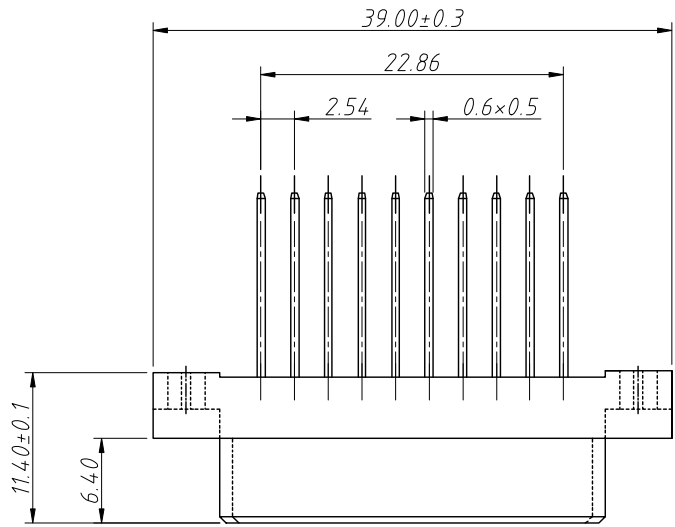


Recommended PCB Layout  
Tolerance:±0.05mm

ANGLE TOLERANCE	PROJECTION	Description: DIN 41612 Connector		
±3°				
GENERAL TOLERANCE	UNITS	mm	KLS P/N:	L-KLS1-D3Q-xxxx-FS
x.x ±0.30	SHEET SIZE	A4		
x.xx ±0.20	Draw:	Song	2025-12-10	NingBo KLS ELECTRONIC CO.,L TD.
x.xxx ±0.10	Check:	Daniel	2025-12-10	

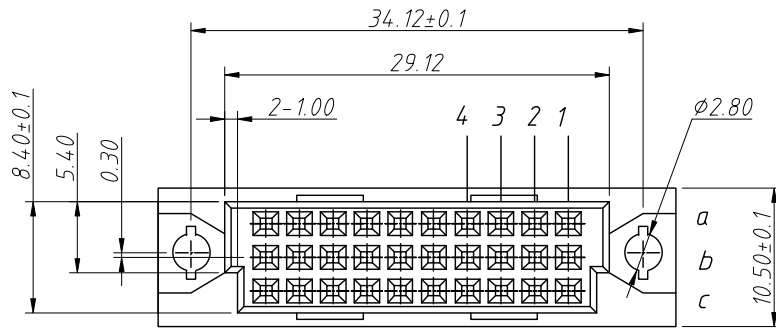
1 RoHS Compliance

REV	SYM	Revision Record	Appr.	Date
V0	KLS01011	New Version Release	Song	2026-06-16



Material:  
 Housing:PBT+30%G.F UL94V-0  
 Contacts:Copper Alloy,G/F Gold Plated

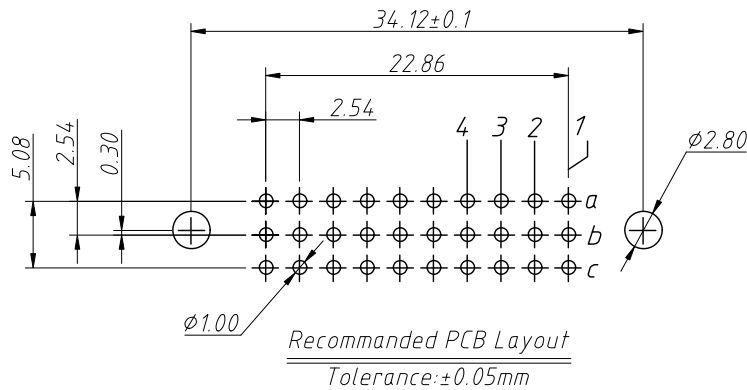
Electrical  
 Current Rating:2 A  
 Contact Resistance:20 mΩ Initial  
 Insulation Resistance:1000 MΩ Min @ 500 VDC  
 Dielectric Withstanding Voltage:1000 VAC / Minute  
 Operating Temperature:-55°C To +125°C



Order Information  
 L-KLS1-D3Q- xxxx-F W1

RoHS  
 SERISE NO.  
 Part NO.:3330  
 3220, 3110, 3315, 3210, 3105  
 F-Female  
 W1-13mm Straight pin

Pitch	Position	Rows with Contact	Contact Arrange	Part Number
2.54	30	a b c		3330
	20	a - c		3220
	10	a - -		3110
5.08mm	15	a b c		3315
	10	a - c		3210
	5	a - -		3105



ANGLE TOLERANCE	PROJECTION	Description:	DIN41612 Connector,3x10Pin Three Row,Female,Straight pin
±3°			
GENERAL TOLERANCE	UNITS	mm	KLS P/N: L-KLS1-D3Q-xxxx-FW1
x.x ±0.30	SHEET SIZE	A4	
x.xx ±0.20	Draw:	Song	2026-06-16
x.xxx ±0.10	Check:	Daniel	2026-06-16



NingBo KLS ELECTRONIC CO.,L TD.