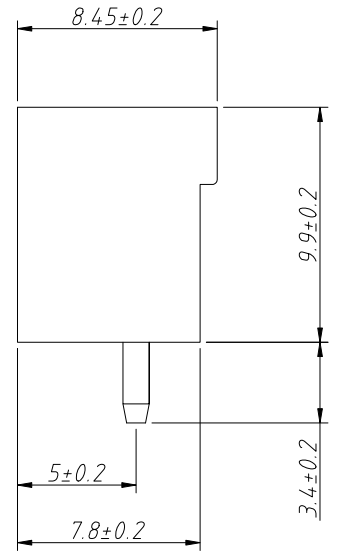
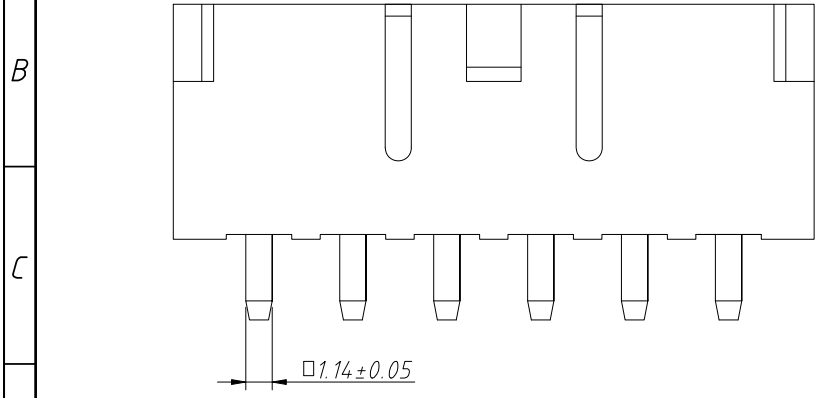


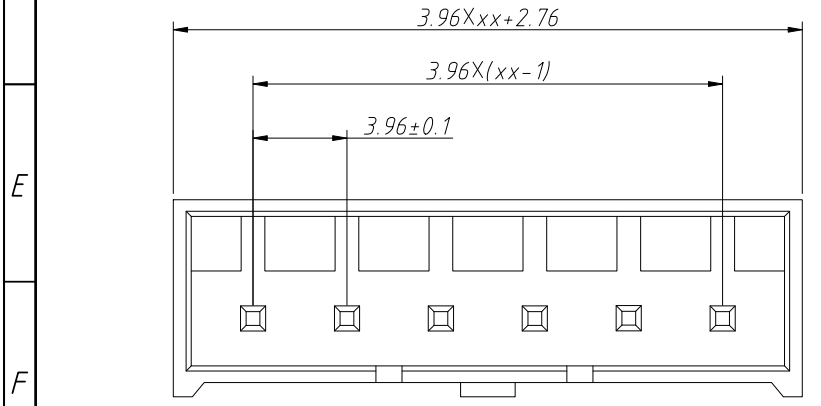
1
RoHS Compliance

6		7		8	
REV	SYM	Revision Record		Appr.	Date
V0	KLS01109	New Version Release		Song	2026-06-24

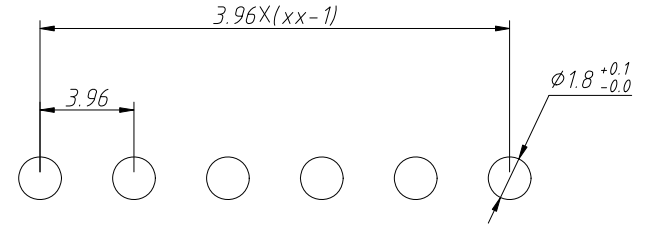
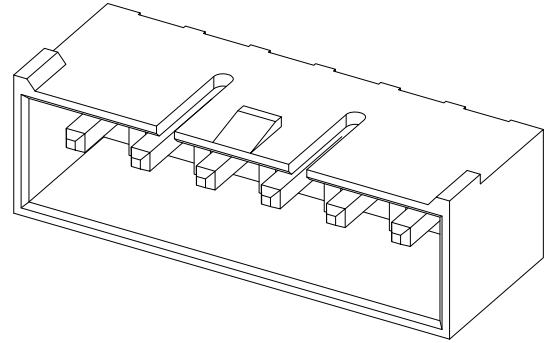


Material:
 Housing: PA66, UL 94 V-0, White
 Pin: Brass, Tin plating

Electrical:
 Current Rating: 7A max
 Voltage Rating: 250V AC/DC
 Temperature Range: -25°C ~ +85°C
 Contact Resistance: 15mΩ Max
 Insulation Resistance: 1000mΩ Min
 Withstand Voltage: 1500V AC/minute



Order Information:
 L-KLS1-3.96G-xx-S

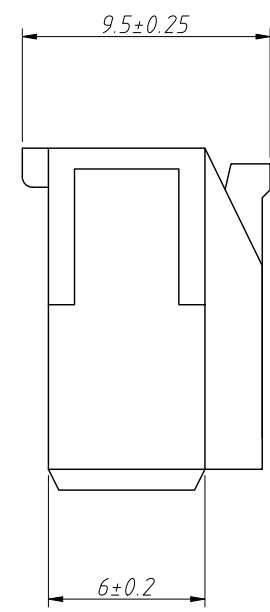
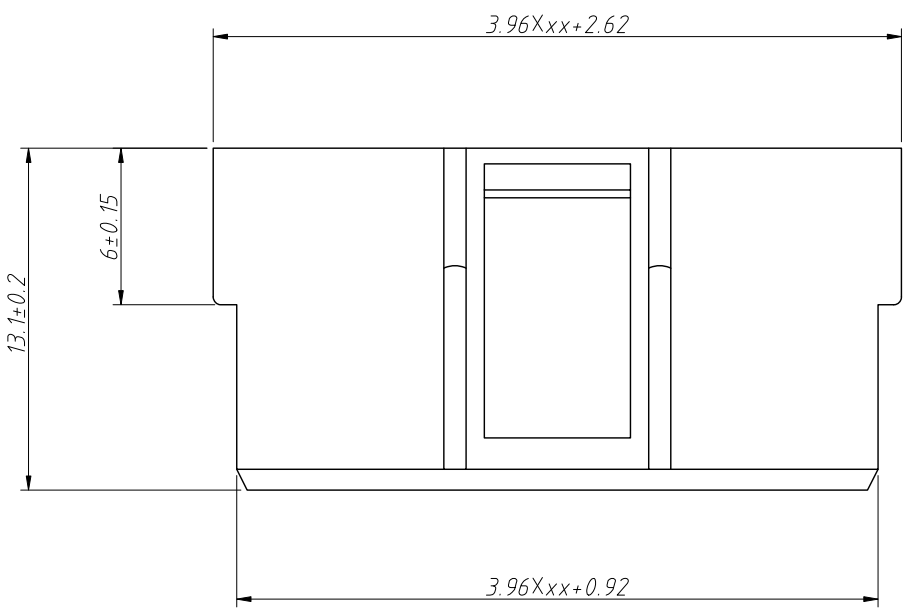


Recommended PCB Layout
 Tolerance: ±0.05mm

ANGLE TOLERANCE	PROJECTION	Description: 3.96mm Pitch Wire to board connector			
±3°		L-KLS1-3.96G-xx-S			
GENERAL TOLERANCE	UNITS	mm	KLS P/N:		
x.x ±0.30	SHEET SIZE	A4	L-KLS1-3.96G-xx-S		
x.xx ±0.20	Draw:	Song	2026-06-24	NingBo KLS ELECTRONIC CO.,L TD.	
x.xxx ±0.10	Check:	Daniel	2026-06-24		

1
RoHS Compliance

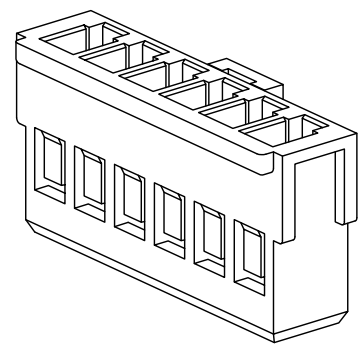
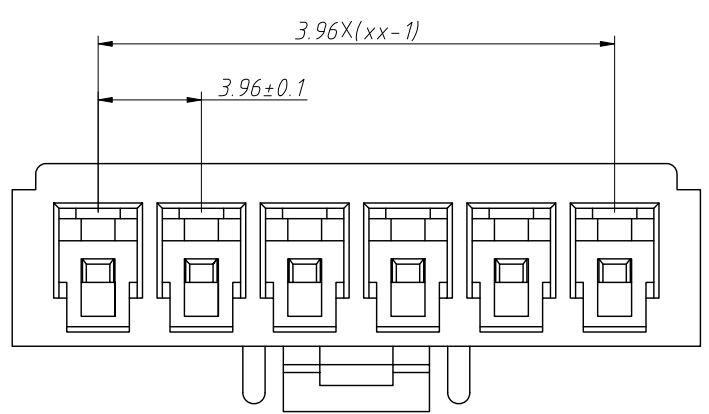
2		3		4		5		6		7		8	
REV	SYM	Revision Record			Appr.	Date							
V0	KLS01109	New Version Release			Song	2026-06-24							



Material:
Housing:PA66,UL 94 V-0,White

Electrical:
Current Rating:7A max
Voltage Rating: 250V AC/DC
Temperature Range:-25℃~+85℃
Contact Resistance:15mΩ Max
Insulation Resistance:1000mΩ Min
Withstand Voltage:1500V AC/minute

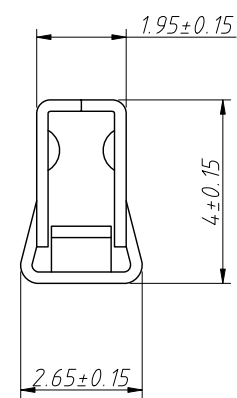
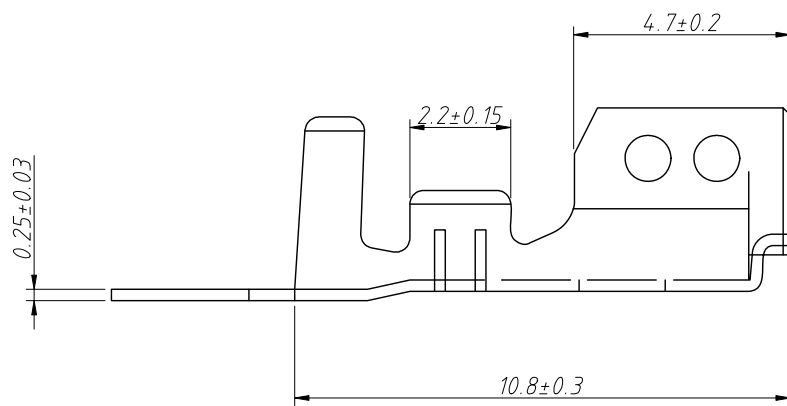
Order Information:
L-KLS1-3.96G-xx-H
L: RoHS
Pitch:3.96mm
xx-No.of(02~15)Pins
H-Housing



ANGLE TOLERANCE	PROJECTION		Description:		3.96mm Pitch		
±3°					Wire to board connector		
GENERAL TOLERANCE	UNITS	mm	KLS P/N:		L-KLS1-3.96G-xx-H		
x.x ±0.30	SHEET SIZE	A4			NingBo KLS ELECTRONIC CO.,L TD.		
x.xx ±0.20	Draw:	Song	2026-06-24				
x.xxx ±0.10	Check:	Daniel	2026-06-24				

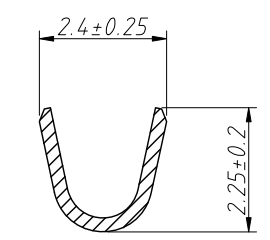
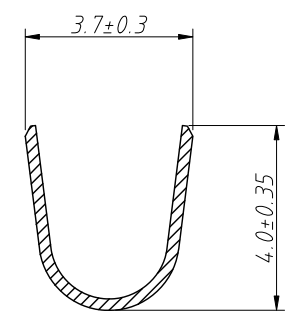
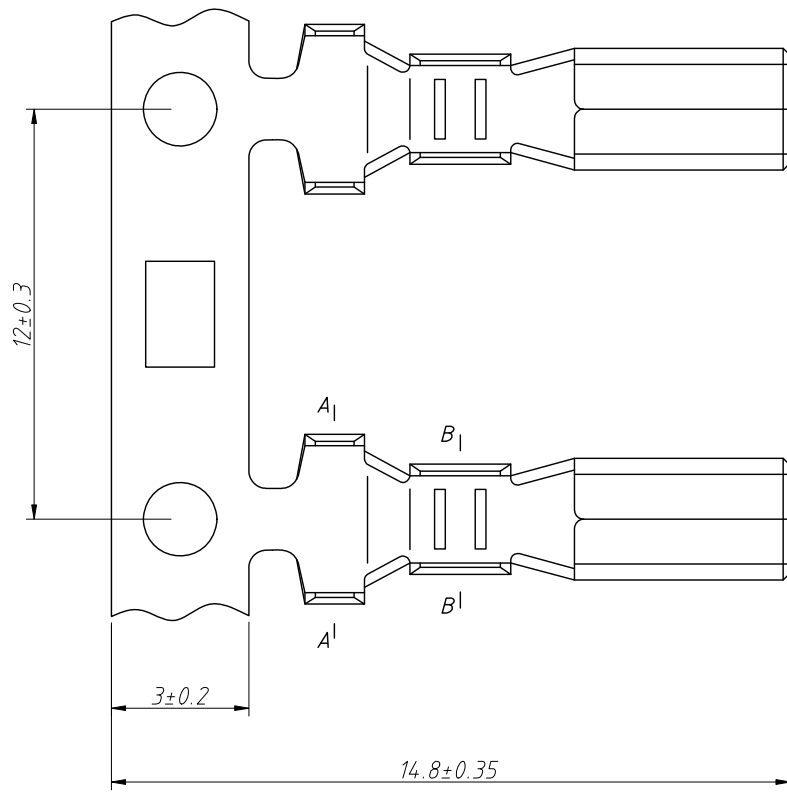
1 RoHS Compliance

REV	SYM	Revision Record	Appr.	Date
V0	KLS01109	New Version Release	Song	2026-06-24



Material: Phosphor Bronze, Tin plating

Electrical:
 Current Rating: 7A max
 Voltage Rating: 250V AC/DC
 Temperature Range: $-25^{\circ}\text{C} \sim +85^{\circ}\text{C}$
 Contact Resistance: $15\text{m}\Omega$ Max
 Insulation Resistance: $1000\text{m}\Omega$ Min
 Withstand Voltage: 1500V AC/minute
 Applicable wire: $0.2 \sim 0.75\text{mm}^2$, 24 ~ 18AWG
 Insulation O.D.: $1.4 \sim 3.0$
 Quantity: 3000pcs/reel



ANGLE TOLERANCE	PROJECTION	Description: Terminal		
$\pm 3^{\circ}$				
GENERAL TOLERANCE	UNITS	mm	KLS P/N:	L-KLS1-3.96G-T
x.x ± 0.30	SHEET SIZE	A4		
x.xx ± 0.20	Draw:	Song	2026-06-24	NingBo KLS ELECTRONIC CO.,LTD.
x.xxx ± 0.10	Check:	Daniel	2026-06-24	