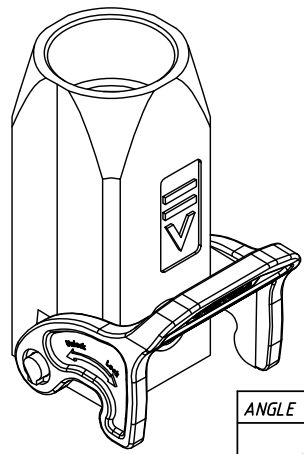
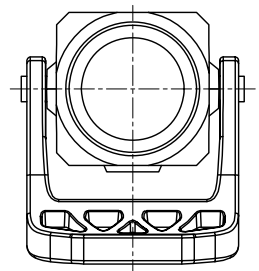
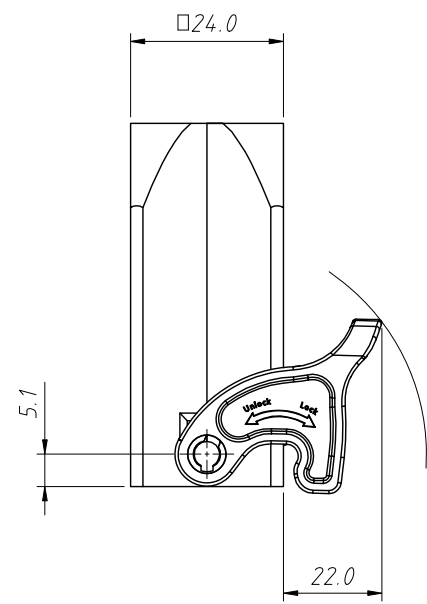
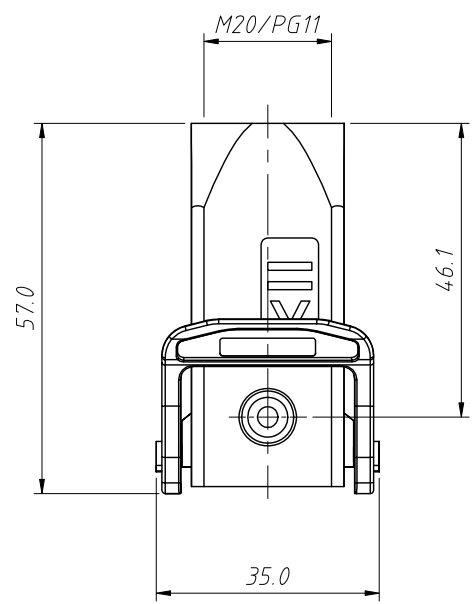


1  
RoHS Compliance

6		7		8	
REV	SYM	Revision Record		Appr.	Date
V0	KLS01695	New Version Release		Jenny	2025-06-23



Material:  
 Housing: Polycarbonate, UL 94 V-0  
 Colour: RAL 7032 (Light grey)  
 Temperatures range: -40°C ~ +125°C  
 Degree of protection: IP65  
 Cable entry: Top entry  
 No. of cable entries: 1  
 Thread size: M20/PG11

Order Information:  
 L-KLS1-H3AP-ST-1L-XX

- L: RoHS
- H3AP series
- Type Hoods: Cable to cable
- Locking type: 1 (single) Locking Latch
- Thread sizes: M20/PG11

ANGLE TOLERANCE	PROJECTION	Description: Heavy Duty Connectors H3AP Series Hoods, Cable to cable			
±3°		L-KLS1-H3AP-ST-1L-XX			
GENERAL TOLERANCE	UNITS	mm	KLS P/N:	L-KLS1-H3AP-ST-1L-XX	
x.x ±0.30	SHEET SIZE	A4			
x.xx ±0.20	Draw:	Jenny	2025-06-23	NingBo KLS ELECTRONIC CO.,L TD.	
x.xxx ±0.10	Check:	Daniel	2025-06-23		