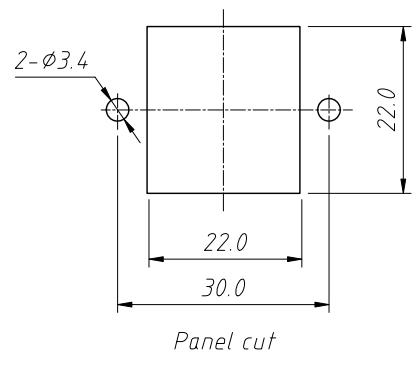
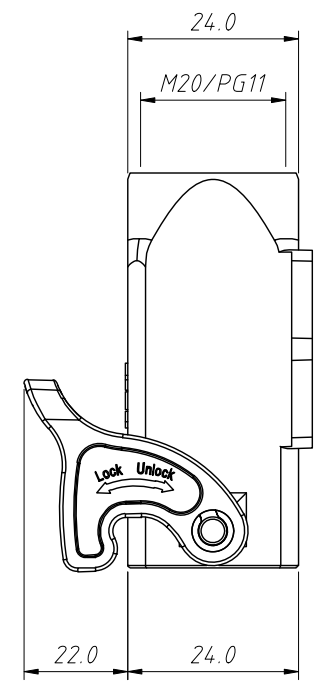
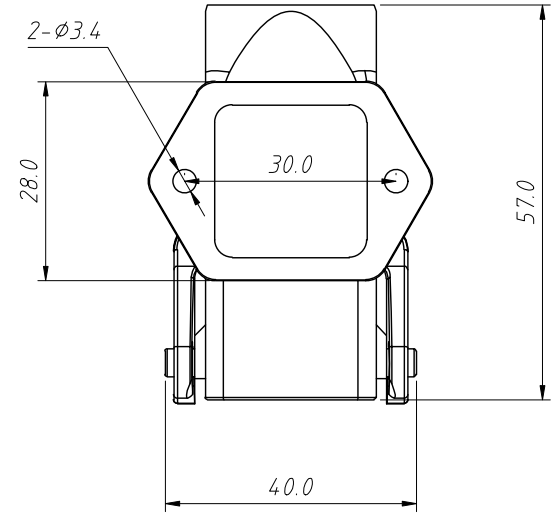
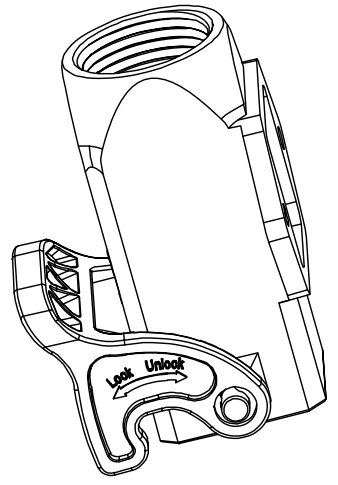
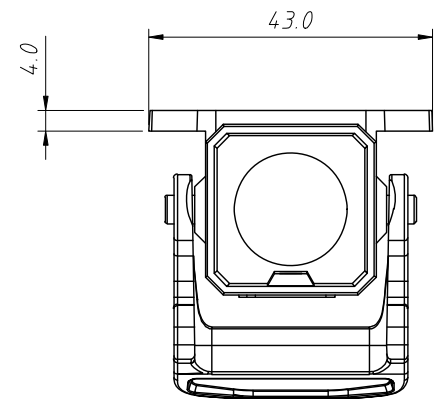


1
RoHS Compliance

6	7	8
REV	SYM	Revision Record
V0	KLS01695	New Version Release
Appr.	Jenny	Date
		2025-06-23



Material:
 Housing: Polycarbonate, UL 94 V-0
 Colour: RAL 7032 (Light grey)
 Temperatures range: -40°C ~ +125°C
 Degree of protection: IP65
 Cable entry: Side entry
 No. of cable entries: 1
 Thread size: M20/PG11

Order Information:
 L-KLS1-H3AP-SF-1L-XX

- L: RoHS
- H3AP series
- Type Hoods:
- Surface mounting
- Locking type:
- 1 (single) Locking Latch
- Thread sizes: M20/PG11

ANGLE TOLERANCE	PROJECTION	Description:	Heavy Duty Connectors
±3°			H3AP Series Hoods, Surface mounting
GENERAL TOLERANCE	UNITS	mm	L-KLS1-H3AP-SF-1L-XX
x.x ±0.30	SHEET SIZE	A4	
x.xx ±0.20	Draw:	Jenny	2025-06-23
x.xxx ±0.10	Check:	Daniel	2025-06-23

