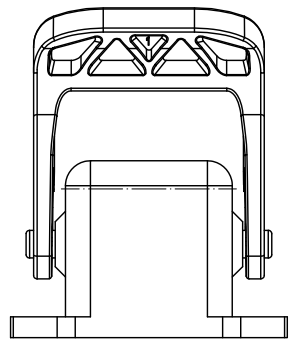
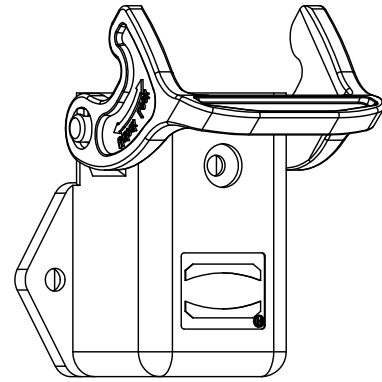
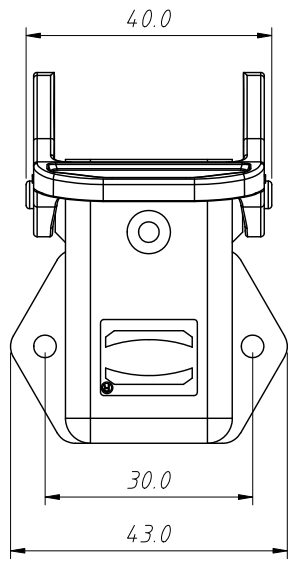
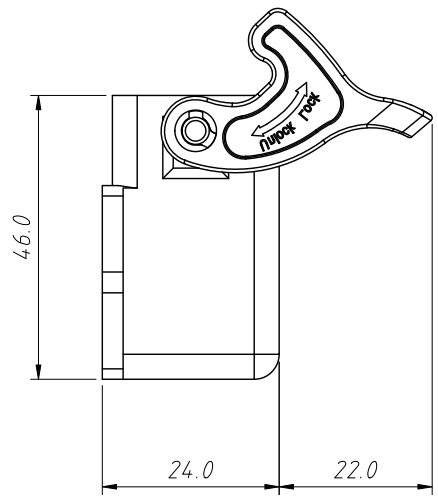


1  
RoHS Compliance

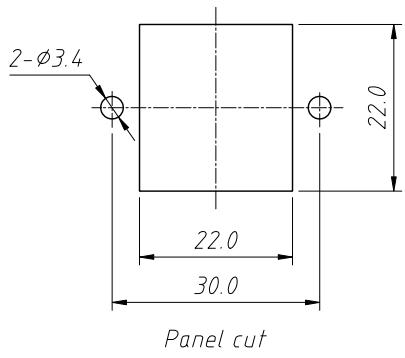
6		7		8	
REV	SYM	Revision Record		Appr.	Date
V0	KLS01695	New Version Release		Jenny	2025-06-23



Material:  
 Housing: Polycarbonate, UL 94V-0  
 Colour: RAL 7032 (Light grey)  
 Temperatures range: -40°C ~ +125°C  
 Degree of protection: IP65  
 Cable entry: Side entry  
 Thread size: M20/PG11



Order Information:  
**L-KLS1-H3AP-R-BK-1L**  
 L:RoHS  
 H3AP series  
 Cable entry: Side entry  
 Type Hoods:  
 Bulkhead mounting  
 Locking type:  
 1 (single) Locking Latch



ANGLE TOLERANCE	PROJECTION	Description:			
±3°		Heavy Duty Connectors H3AP Series Hoods, Bulkhead mounting			
GENERAL TOLERANCE	UNITS	mm	KLS P/N:		
x.x ±0.30	SHEET SIZE	A4	L-KLS1-H3AP-R-BK-1L		
x.xx ±0.20	Draw:	Jenny	2025-06-23		
x.xxx ±0.10	Check:	Daniel	2025-06-23	NingBo KLS ELECTRONIC CO.,L TD.	