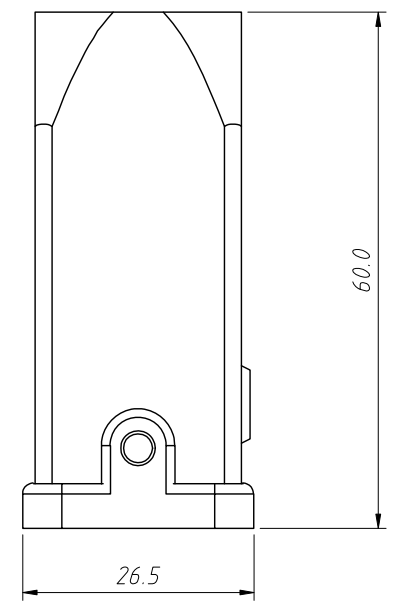
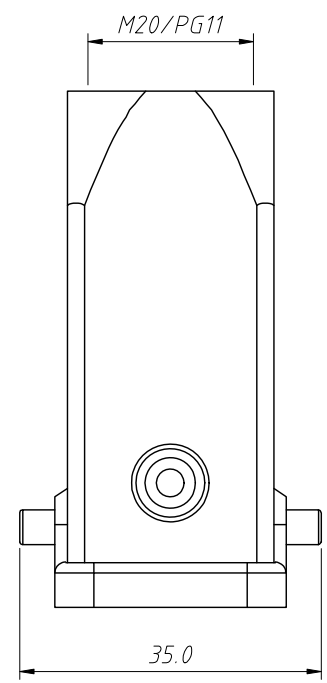
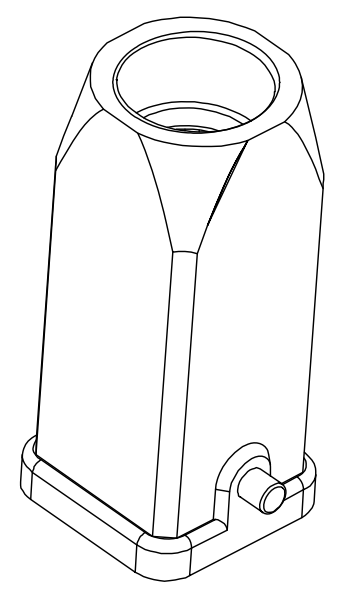


1  
RoHS Compliance

6		7		8	
REV	SYM	Revision Record		Appr.	Date
V0	KLS01695	New Version Release		Jenny	2025-06-23



Material:  
 Housing: Polycarbonate, UL 94V-0  
 Colour: RAL 7032 (Light grey)  
 Temperatures range: -40°C ~ +125°C  
 Degree of protection: IP65  
 Cable entry: Top entry  
 No. of cable entries: 1  
 Thread size: M20/PG11



Order Information:  
**L-KLS1-H3AP-S-2B-XX**

L:RoHS  
 H3AP series  
 Cable entry: Top entry  
 Post: With 2 Post  
 Thread sizes: M20/PG11

ANGLE TOLERANCE	PROJECTION	Description:			
±3°		Heavy Duty Connectors H3AP Series Hoods, Top entry			
GENERAL TOLERANCE	UNITS	mm	KLS P/N:		
x.x ±0.30	SHEET SIZE	A4	L-KLS1-H3AP-S-2B-XX		
x.xx ±0.20	Draw:	Jenny	2025-06-23	NingBo KLS ELECTRONIC CO.,L TD.	
x.xxx ±0.10	Check:	Daniel	2025-06-23		