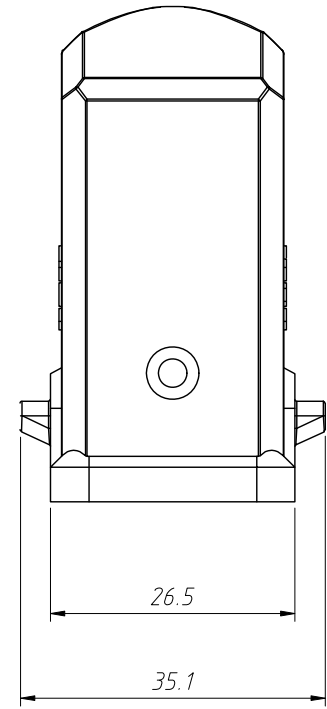
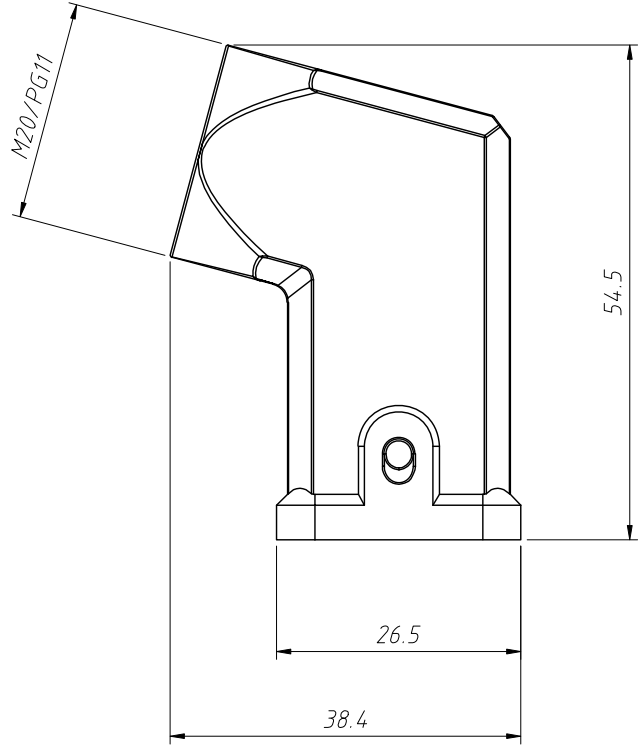


1
RoHS Compliance

6		7		8	
REV	SYM	Revision Record		Appr.	Date
V0	KLS01695	New Version Release		Jenny	2025-06-23



Material:
 Housing: Polycarbonate, UL 94V-0
 Colour: RAL 7032 (Light grey)
 Temperatures range: -40°C ~ +125°C
 Degree of protection: IP65
 Cable entry: Side entry
 No. of cable entries: 1
 Thread size: M20/PG11

Order Information:
L-KLS1-H3AP-R-2B-XX
 L:RoHS
 H3AP series
 Cable entry: Side entry
 Post: With 2 Post
 Thread sizes: M20/PG11

ANGLE TOLERANCE		PROJECTION		Description:	
±3°				Heavy Duty Connectors H3AP Series Hoods, Side entry	
GENERAL TOLERANCE		UNITS	mm	KLS P/N:	
x.x	±0.30	SHEET SIZE	A4	L-KLS1-H3AP-R-2B-XX	
x.xx	±0.20	Draw:	Jenny	2025-06-23	
x.xxx	±0.10	Check:	Daniel	2025-06-23	

KLS ELECTRONIC
 NingBo KLS ELECTRONIC CO.,L TD.