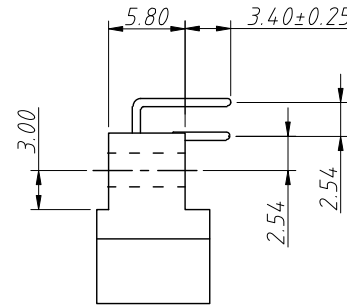
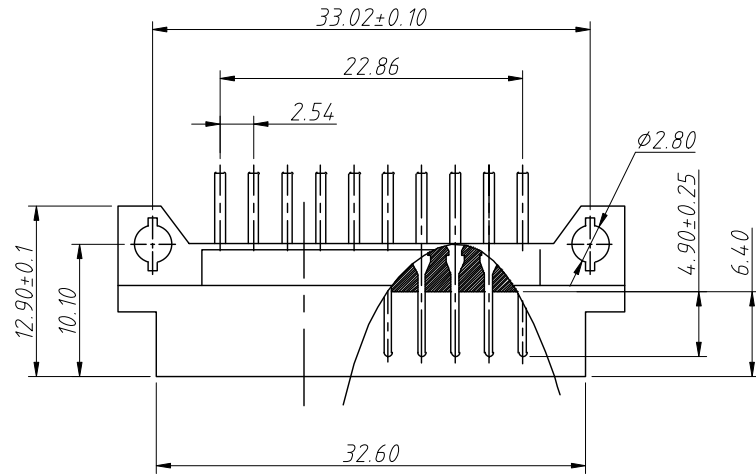


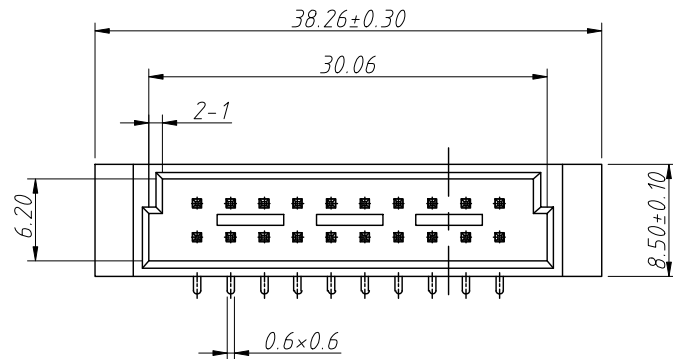
1
RoHS Compliance

7		8		
REV	SYM	Revision Record	Appr.	Date
V0	KLS01011	New Version Release	Song	2025-09-02



Material:
Housing:PBT+30%G.F UL 94 V-0
Contacts:Copper Alloy, Gold Plated

Electrical:
Current Rating:2 Amps
Contact Resistance:20 mΩ initial
Insulation Resistance:1000 MΩ min @ 500 V DC
Dielectric Withstanding Voltage:1000 V AC/minute
Operating Temperature:-55°C To +125°C

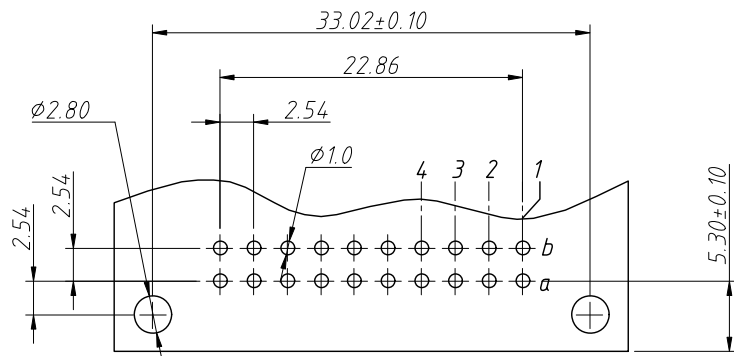


Order Information

L-KLS1-D2Q-2220-M R

RoHS
D2Q=2X10Pin
2 Row Short Type
PartNumber:2220
2110, 2210, 2105
M-Male
R-Right Angle Pin

Pitch	Position	Rows with Contact	Contact Arrange	Part Number
2.54mm	20	a b		2220
	10	a -		2110
5.08mm	10	a b		2210
	5	a -		2105

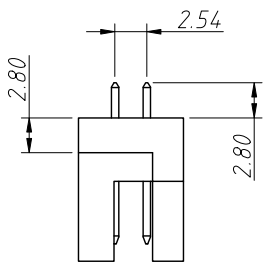
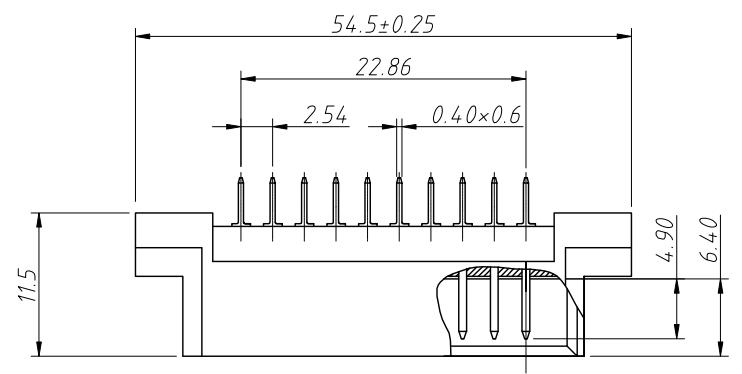


Recommended PCB Layout
Tolerance:±0.05mm

ANGLE TOLERANCE	PROJECTION	Description:		
±3°		DIN 41612 Connector, 2x10Pin Two Row, Male, Right Angle Pin		
GENERAL TOLERANCE	UNITS	mm	KLS P/N:	L-KLS1-D2Q-XXXX-MR
.x ±0.20	SHEET SIZE	A4		
.xx ±0.15	Draw:	Song	2025-09-02	NingBo KLS ELECTRONIC CO.,L TD.
.xxx ±0.02	Check:	Daniel	2025-09-02	

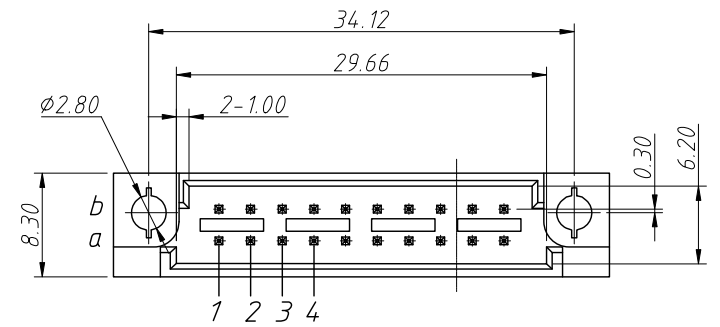
1
RoHS Compliance

7		8		
REV	SYM	Revision Record	Appr.	Date
V0	KLS01011	New Version Release	Song	2023-10-13

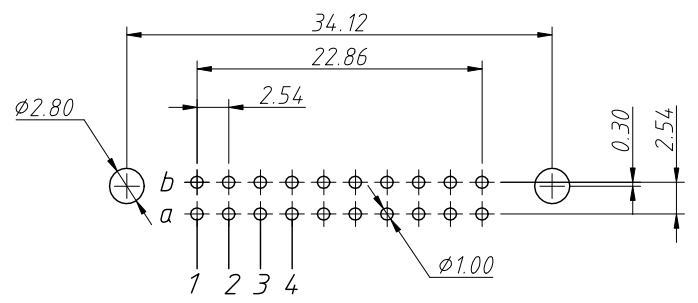


Notes:
 1.Material:
 Housing:PBT+30%G.F,UL 94 V-0
 Contacts:PhosPhor Bronze,GF Plated On Contact Area
 Tin Plated All Over

2.Electric:
 Current Rating:2Amps
 Contact Resistance:20 mΩ Max initial
 Insulation Resistance:1000 MΩ Min @ 500 VDC
 Dielectric Withstanding Voltage:1000 VAC/minute
 Operating Temperature:-55°C ~ +125°C



Order Information:
 L-KLS1-D2Q-2220-MS
 L: RoHS
 Series
 Pin Number
 Type:
 Straight Male Pin



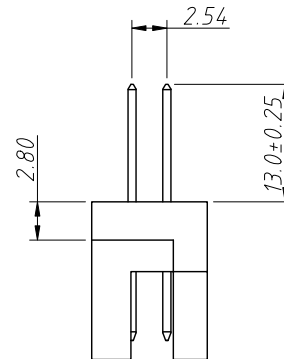
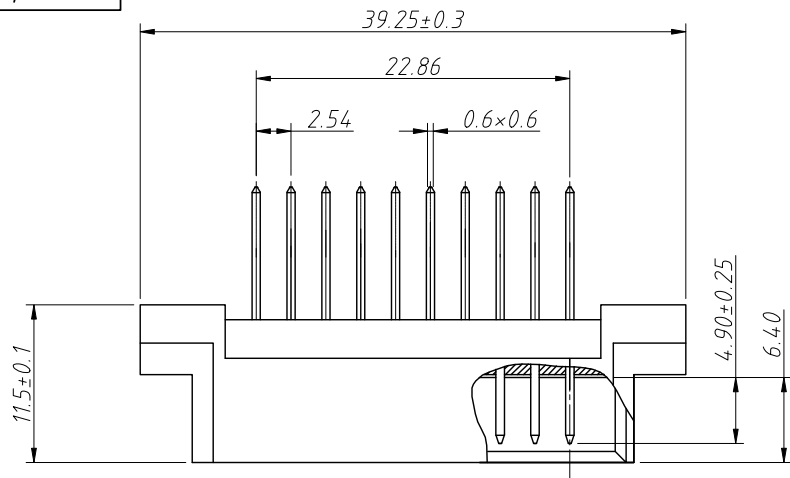
Recommended PCB Layout
 Tolerance:±0.05mm

ANGLE TOLERANCE	PROJECTION	Description:		
±3°		European Socket, 180°, Male		
GENERAL TOLERANCE				
x. ±0.25	UNITS	mm	KLS P/N:	L-KLS1-D2Q-2220-MS
x.x ±0.20	SHEET SIZE	A4		
x.xx ±0.15	Draw:	Song	2023-10-13	
x.xxx ±0.02	Check:	Daniel	2023-10-13	

KLS NingBo KLS ELECTRONIC CO.,L TD.

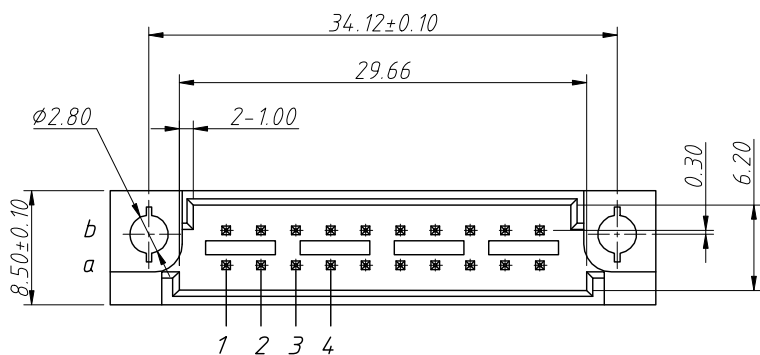
1 RoHS Compliance

7		8		
REV	SYM	Revision Record	Appr.	Date
V0	KLS01011	New Version Release	Song	2026-06-03



Material:
 Housing:PBT+30%G.F UL 94 V-0
 Contacts:Copper Alloy,G/F Gold Plated

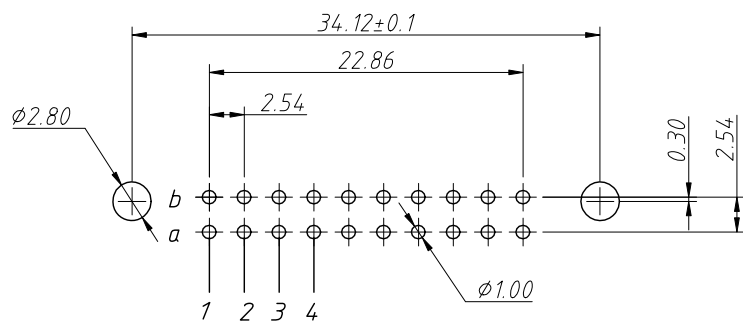
Electrical:
 Current Rating:2 Amps
 Contact Resistance:20 mΩ initial
 Insulation Resistance:1000 MΩ min @ 500 V DC
 Dielectric Withstanding Voltage:1000 V AC/minute
 Operating Temperature:-55°C To +125°C



Order Information:
 L-KLS1-D2Q-xxxx- M W1

L: RoHS
 Series
 Pin Number:2220
 2110, 2210, 2105
 M-Male
 W1-13mm Straight Pin

Pitch	Position	Rows with Contact	Contact Arrange	Part Number
2.54mm	20	a b		2220
	10	a -		2110
5.08mm	10	a b		2210
	5	a -		2105

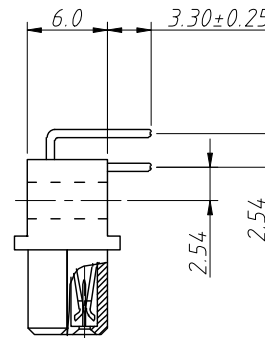
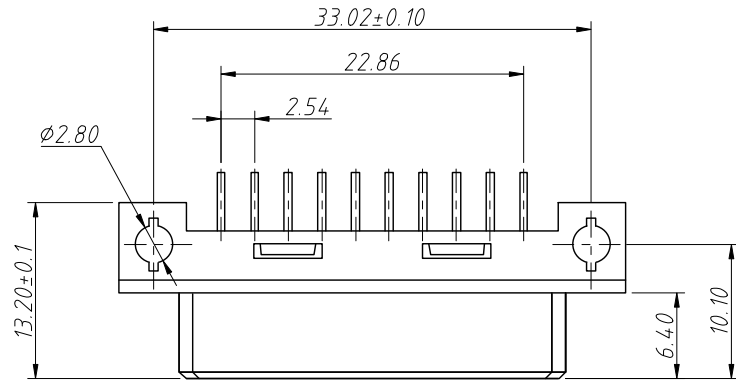


Recommended PCB Layout
 Tolerance:±0.05mm

ANGLE TOLERANCE	PROJECTION	Description:		
±3°		DIN 41612 Connector, 2x10Pin Two Row, Male, Straight Pin		
GENERAL TOLERANCE	UNITS	mm	KLS P/N:	L-KLS1-D2Q-xxxx-MW1
.x ±0.20	SHEET SIZE	A4		
.xx ±0.15	Draw:	Song	2026-06-03	NingBo KLS ELECTRONIC CO.,LTD.
.xxx ±0.02	Check:	Daniel	2026-06-03	

1 RoHS Compliance

REV	SYM	Revision Record	Appr.	Date
V0	KLS01011	New Version Release	Song	2025-05-14



Notes:

1.Material:

Housing:PBT+30%G.F UL 94 V-0

Contacts:Copper Alloy,G/F Gold Plated

2.Electrical:

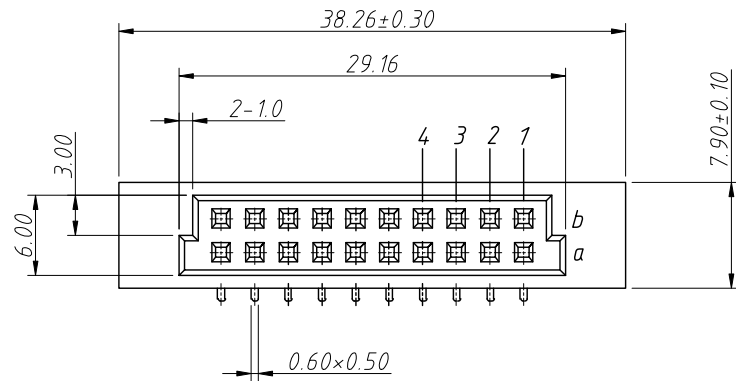
Current Rating:2 Amps

Contact Resistance:20 mΩ initial

Insulation Resistance:1000 MΩ min @ 500 V DC

Dielectric Withstanding Voltage:1000 V AC/minute

Operating Temperature:-55°C To +125°C



Order Information

L-KLS1-D2Q-2220-F R

RoHS

D2Q=2X10Pin

2 Row Short Type

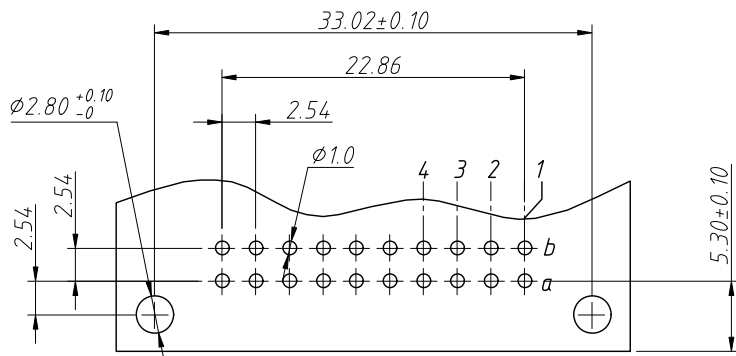
PartNumber:2210

2110, 2210, 2105

F-Female

R-Right Angle Pin

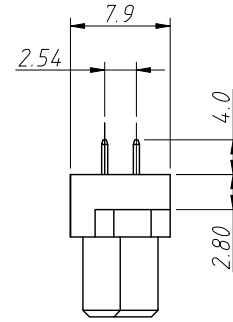
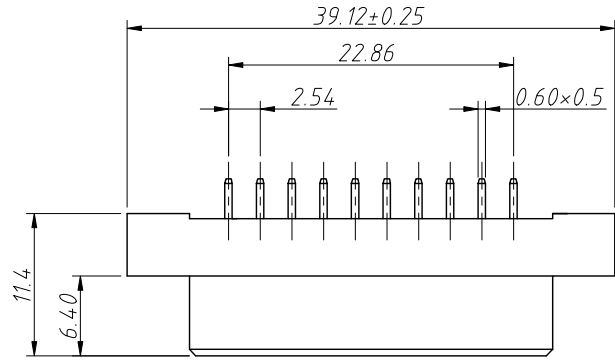
Pitch	Position	Rows with Contact	Contact Arrange	Part Number
2.54mm	20	a b		2220
	10	a -		2110
5.08mm	10	a b		2210
	5	a -		2105



Recommended PCB Layout
Tolerance:±0.05mm

ANGLE TOLERANCE	PROJECTION	Description:	DIN 41612 Connector, 2x10Pin	
±3°			Two Row, Female, Right Angle Pin	
GENERAL TOLERANCE	UNITS	mm	KLS P/N:	L-KLS1-D2Q-XXXX-FR
.x ±0.20	SHEET SIZE	A4		
.xx ±0.15	Draw:	Song	2025-05-14	NingBo KLS ELECTRONIC CO.,L TD.
.xxx ±0.02	Check:	Daniel	2025-05-14	

REV	SYM	Revision Record	Appr.	Date
V0	KLS01011	New Version Release	Song	2023-10-13



Notes:

1.Material:

Housing:PBT+30%G.F,UL 94V-0

Contacts:PhosPhor Bronze,GF Plated On Contact Area
Tin Plated All Over

2.Electric:

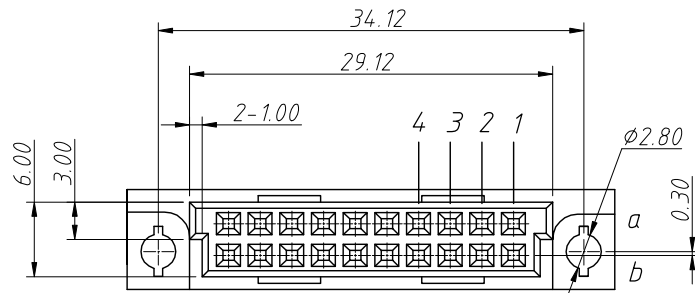
Current Rating:2Amps

Contact Resistance:20 mΩ Max initial

Insulation Resistance:1000 MΩ Min @ 500 VDC

Dielectric Withstanding Voltage:1000 VAC/minute

Operating Temperature:-55°C ~ +125°C



Order Information:

L-KLS1-D2Q-2220-FS

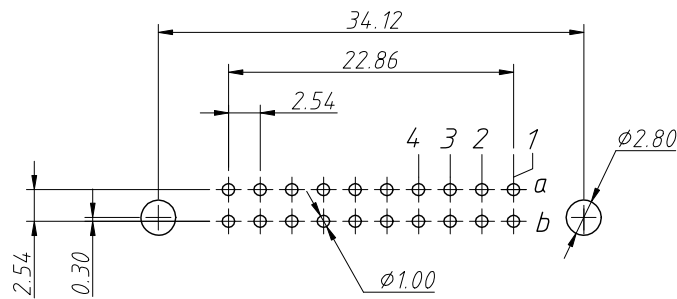
L: RoHS

Series

Pin Number

Type:

Straight Female Pin

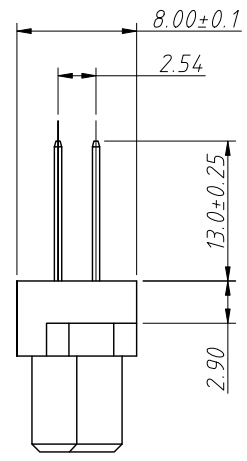
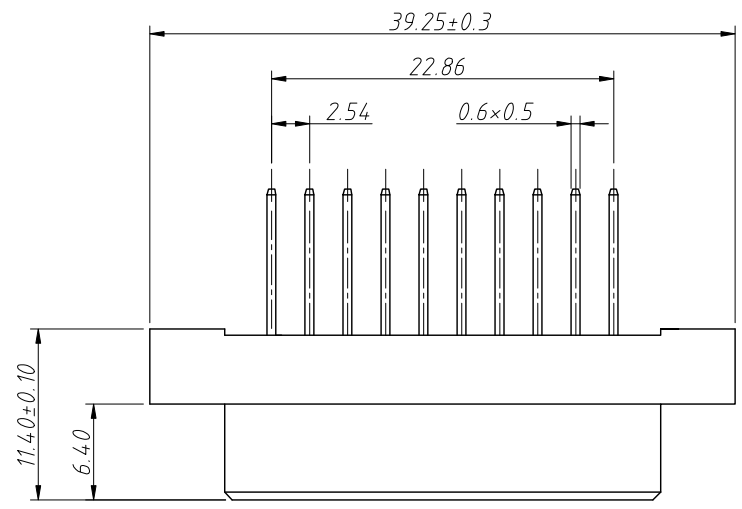


Recommended PCB Layout
Tolerance:±0.05mm

ANGLE TOLERANCE	PROJECTION	Description:		
±3°		European Socket, 180°, Female		
GENERAL TOLERANCE				
x. ±0.25	UNITS	mm	KLS P/N:	L-KLS1-D2Q-2220-FS
x.x ±0.20	SHEET SIZE	A4		
x.xx ±0.15	Draw:	Song	2023-10-13	
x.xxx ±0.02	Check:	Daniel	2023-10-13	

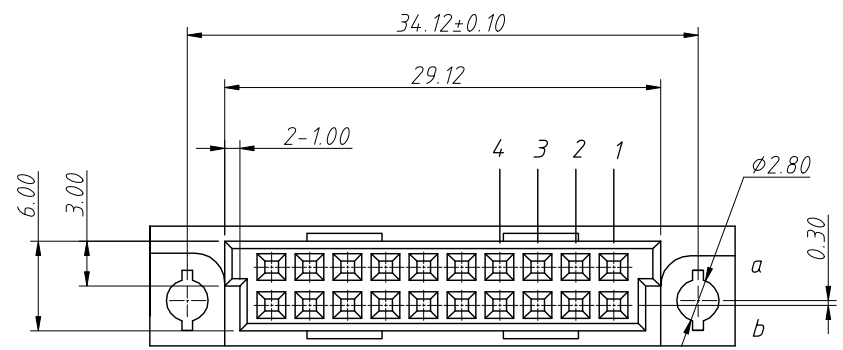
1
RoHS Compliance

7		8	
REV	SYM	Revision Record	Appr.
V0	KLS01011	New Version Release	Song
			Date
			2026-06-03



Material:
Housing:PBT+30%G.F UL 94 V-0
Contacts:Copper Alloy,G/F Gold Plated

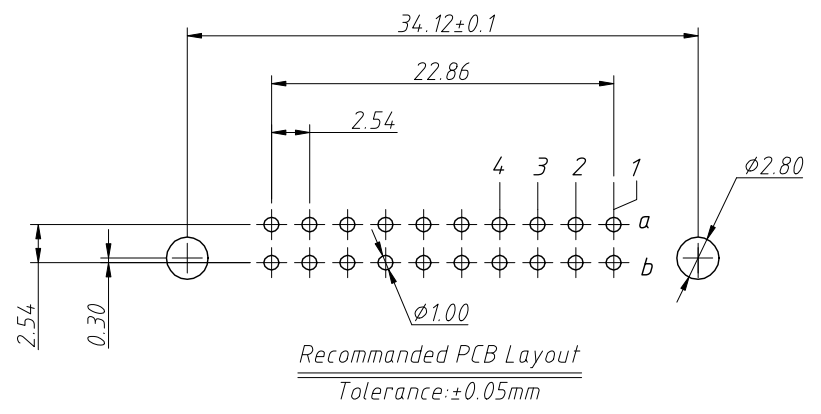
Electrical:
Current Rating:2 Amps
Contact Resistance:20 mΩ initial
Insulation Resistance:1000 MΩ min @ 500 V DC
Dielectric Withstanding Voltage:1000 V AC/minute
Operating Temperature:-55°C To +125°C



Order Information:
L-KLS1-D2Q-xxxx- F W1

- L: RoHS
- Series
- Pin Number:2220
- 2110, 2210, 2105
- F-Female
- W1-13mm Straight Pin

Pitch	Position	Rows with Contact	Contact Arrange	Part Number
2.54mm	20	a b		2220
	10	a -		2110
5.08mm	10	a b		2210
	5	a -		2105



ANGLE TOLERANCE	PROJECTION	Description:	
±3°		DIN 41612 Connector, 2x10Pin Two Row, Female, Straight Pin	
GENERAL TOLERANCE	UNITS	mm	KLS P/N:
.x ±0.20	SHEET SIZE	A4	L-KLS1-D2Q-xxxx-FW1
.xx ±0.15	Draw:	Song	2026-06-03
.xxx ±0.02	Check:	Daniel	2026-06-03

