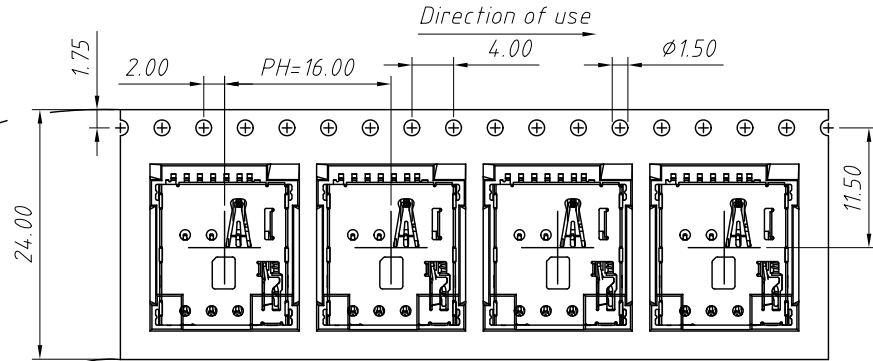


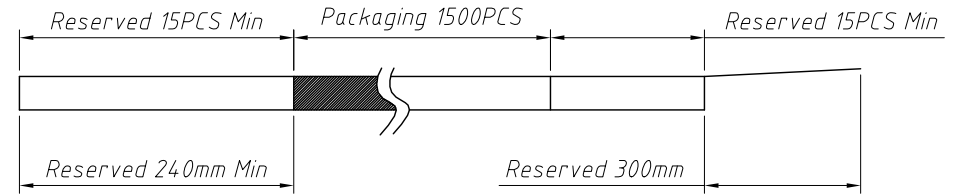
RoHS Compliance

REV	SYM	Revision Record	Appr.	Date
V0	KLS0472	New Version Release	WuHao	2025-09-05

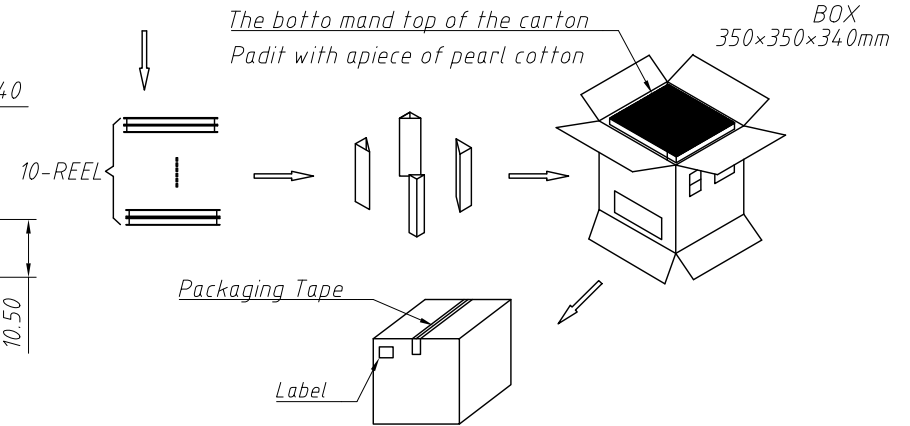
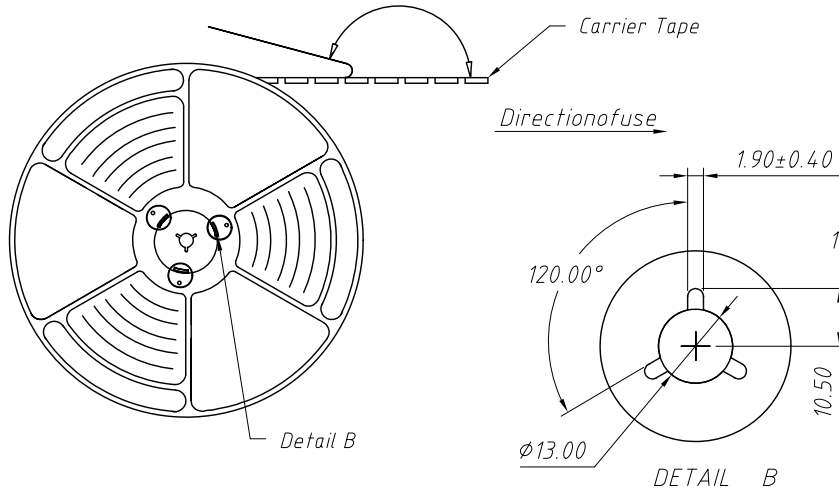


NOTES:

1. Packing quantity per plate: 1500PCS/Plate
2. Loading and packing method



3. Total packaging: 15000PCS/Box



Description	Quantity
Carrierband (Lucent,PETW=24PH=16, T=0.3)	244.8m
Box (K=K, T=7.0, 350x350x340)	1PCS
PEBag (T=0.08mm, 730x760x730)	1PCS
Self-adhesive (W=21.30)	247.8m
Beam (K=K, T=7.0, 95x95x290)	4PCS
PearlWool (340x340x18)	2PCS
REEL (BLUE, 13 Inchesx24mm, Ø330)	10PCS

ANGLE TOLERANCE	PROJECTION	Description:		
±3°		Nano SIM Card, 1.37H, With CD Pin		
GENERAL TOLERANCE	UNITS	mm	KLS P/N:	L-KLS1-SIM-066-(6+1)P-H1.37-R-A
x.x ±0.30	SHEET SIZE	A4	2/2	NingBo KLS ELECTRONIC CO.,L.TD.
x.xx ±0.20	Draw:	WuHao	2025-09-05	
x.xxx ±0.10	Check:	Daniel	2025-09-05	