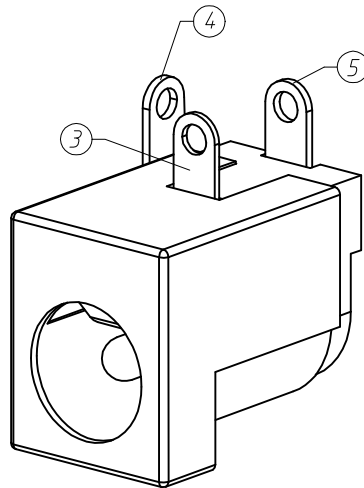
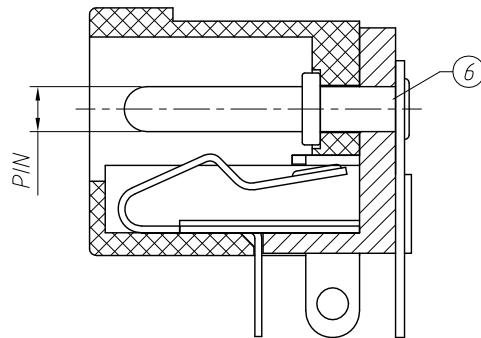
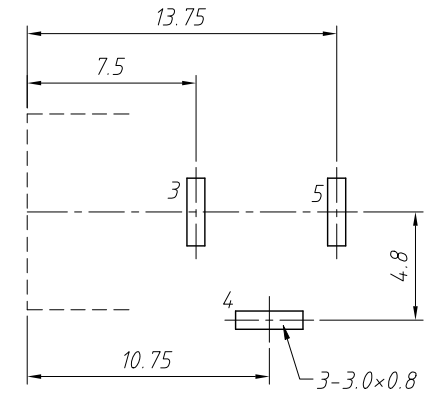
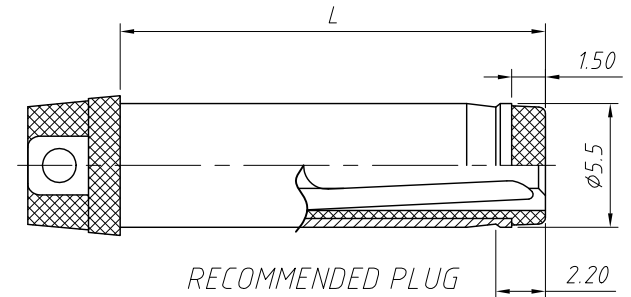
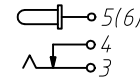


PCB Layout Top View



SCHEMATIC



SPECIFICATION

Rated Load:DC 30V 5A
 Contact resistance:30mΩ, max
 Insulation resistance:100MΩ, min
 Withstand Voltage:AC500V
 Actuating Force:3-20N
 Life:5000 cycles

PIN	Ø2.0	Ø2.5
APPD		

NO.	Description	QTY	Material	Plating
1	Housing	1	LCP	---
2	Cover	1	LCP	---
3	Spring Piece	1	Bronze	Sn-Plating
4	Curve Piece	1	Brass	Sn-Plating
5	Flat Foot	1	Brass	Sn-Plating
6	PIN	1	Brass	Ni-Plating

GENERAL TOLERANCE	PROJECTION		Description:
.X ±0.50	UNITS	mm	30V 5A DC Jack DIP
.X ±0.25	SCALE	1:1	
.XX ±0.10	Draw by:	Jenny	
ANGLE TOLERANCE	Check by:		KLS P/N: L-KLS1-MDC-005A
.X ±5°	Date	2019-03-01	NingBo KLS ELECTRONIC CO.,LTD.
.X ±3°	SHEET	1 OF 1	
.XX ±2°			