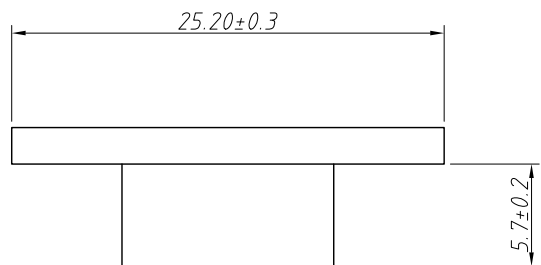
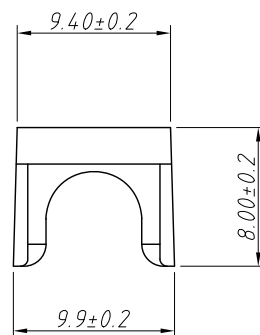


1 RoHS Compliance

REV	SYM	Revision Record	Appr.	Date
V0	KLS05004	New Version Release	WuHao	2025-11-14
V1	KLS05004	Quality Improvement	WuHao	2026-04-22

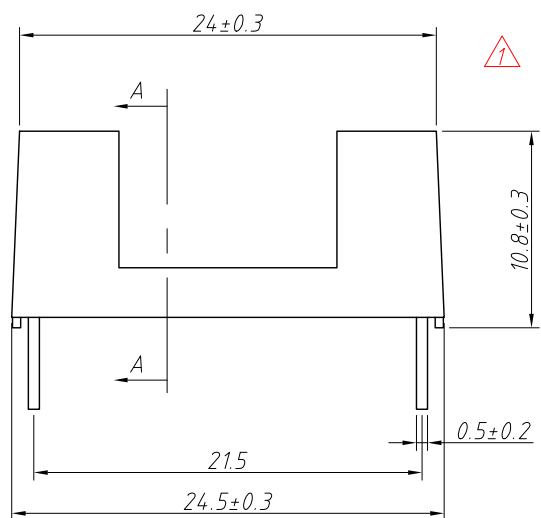


Cover

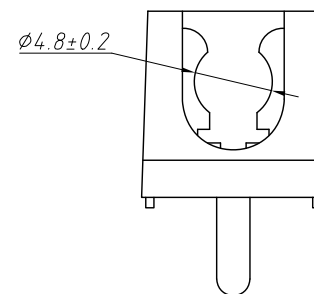
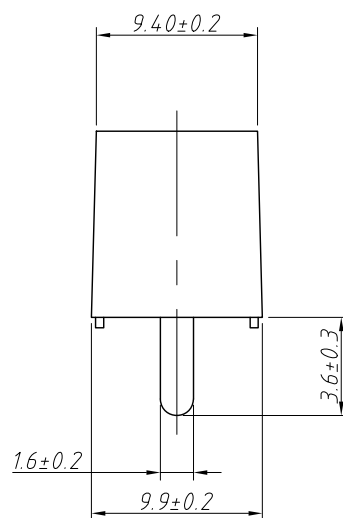


Materials:  
 Base/Cover: Flame-Retarded Plastic, Gray  
 Pin: Brass, Tin Plated  
 Suitable Fuse:  $\phi 5.2 \times 20$ mm

Electrical:  
 Rating Current: 6.3A  
 Rating Voltage: 250V AC



Base



Section A-A

Order Information:

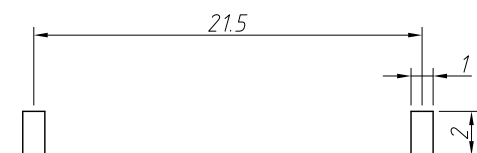
L-KLS5-242M-□

L: RoHS

Series No.

Empty=with lid

D=Without cover

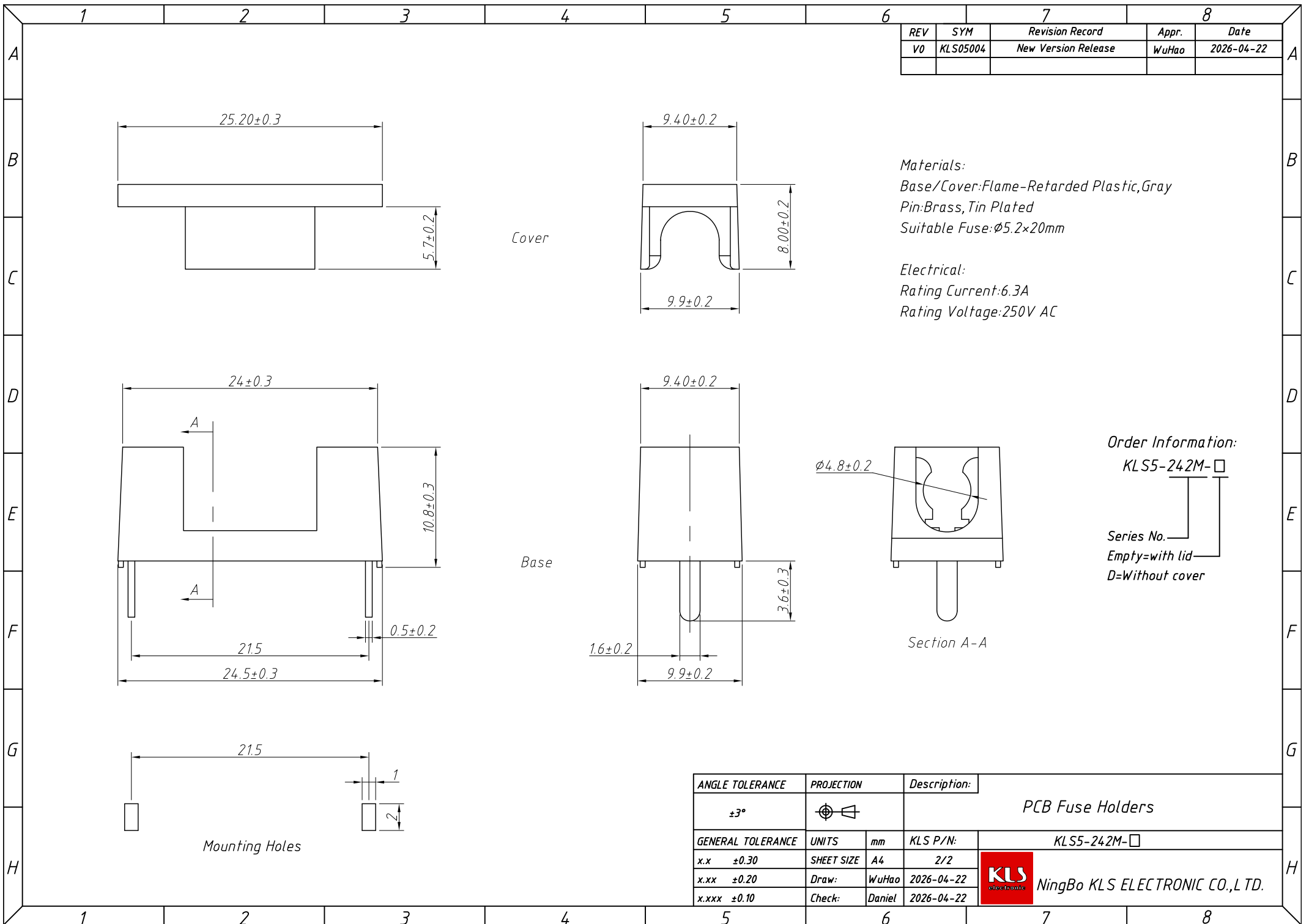


Mounting Holes

ANGLE TOLERANCE	PROJECTION	Description:
$\pm 3^\circ$		PCB Fuse Holders
GENERAL TOLERANCE	UNITS	mm
x.x $\pm 0.30$	SHEET SIZE	A4
x.xx $\pm 0.20$	Draw:	WuHao 2025-11-14
x.xxx $\pm 0.10$	Check:	Daniel 2025-11-14
		KLS P/N: L-KLS5-242M-□



NingBo KLS ELECTRONIC CO.,LTD.



REV	SYM	Revision Record	Appr.	Date
V0	KLS05004	New Version Release	WuHao	2026-04-22

Materials:  
 Base/Cover: Flame-Retarded Plastic, Gray  
 Pin: Brass, Tin Plated  
 Suitable Fuse: ∅5.2×20mm

Electrical:  
 Rating Current: 6.3A  
 Rating Voltage: 250V AC

Order Information:  
 KLS5-242M-□  
 Series No. \_\_\_\_\_  
 Empty=with lid  
 D=Without cover

ANGLE TOLERANCE	PROJECTION	Description:	PCB Fuse Holders	
±3°				
GENERAL TOLERANCE	UNITS	mm	KLS P/N:	KLS5-242M-□
x.x ±0.30	SHEET SIZE	A4	2/2	NingBo KLS ELECTRONIC CO.,LTD.
x.xx ±0.20	Draw:	WuHao	2026-04-22	
x.xxx ±0.10	Check:	Daniel	2026-04-22	