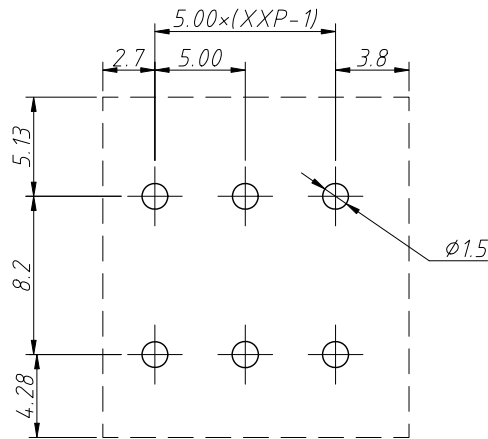
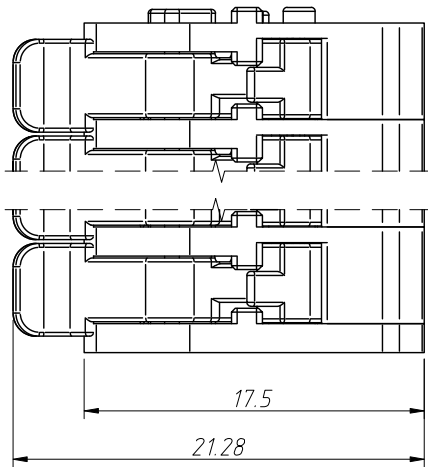
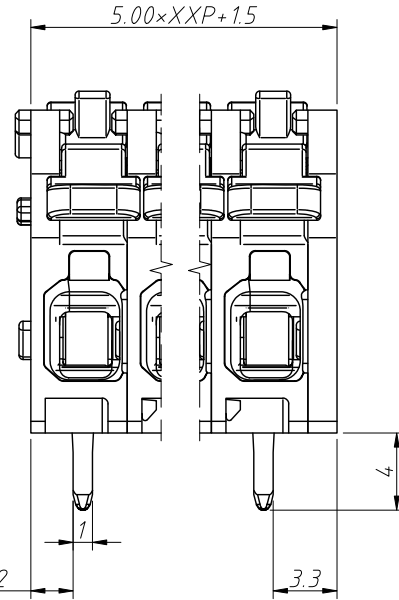
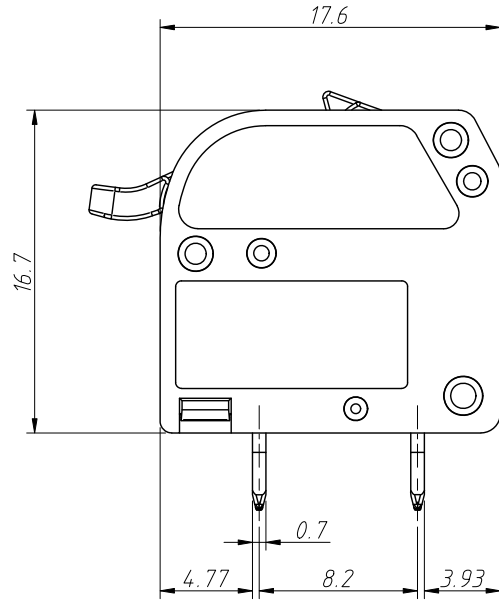


1 RoHS Compliance



Recommended PCB Layout
Tolerance: $\pm 0.05\text{mm}$

6		7		8	
REV	SYM	Revision Record		Appr.	Date
V0	KLS02132	New Version Release		WuHao	2025-11-12
		Electrical	UL	IEC	
		Rated Voltage	300V	400V	
		Rated Current	20A	24A	
		Withstand Voltage	---	4KV	
		Wire Range	20~12 AWG	0.5~2.5mm ²	

Material and other:
 Housing: PA66, UL 94V-0
 Pin Header: Copper, Matte Tin Plating
 Stripping Length: 9~10mm
 Operating Temperature: -40°C ~ +85°C

Order Information

L-KLS2-EH SS R-5.00-XXP-1 0

- RoHS
- PCB Soldering Board
- Terminal Block
- Single Signal
- Horizontal Outgoing Wire
- Pitch: 5.00mm
- No.: Of (02~12) Pin
- Color: 1-Gray
- Pin Feet: 0=Double Row Feet
- 1=Left Foot In Front 2=Right Foot In Front

ANGLE TOLERANCE		PROJECTION		Description:	
$\pm 3^\circ$				Pitch 5.00mm Terminal Block	
GENERAL TOLERANCE		UNITS	mm	KLS P/N:	
0~30	± 0.50	SHEET SIZE	A4	L-KLS2-EHSSR-5.00-XXP-10	
30~60	± 0.75	Draw:	WuHao	2025-11-12	
60~90	± 1.00	Check:	Daniel	2025-11-12	

NingBo KLS ELECTRONIC CO.,L.TD.