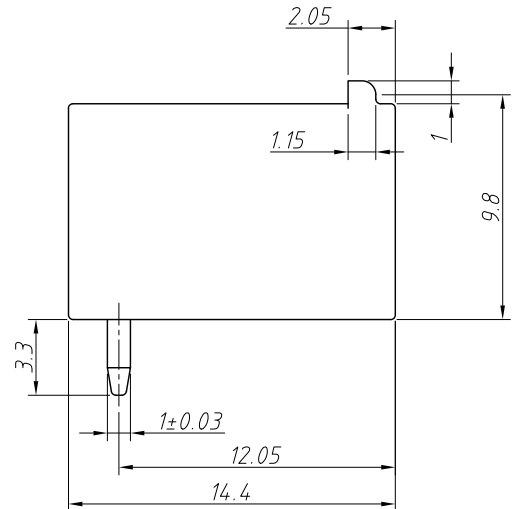
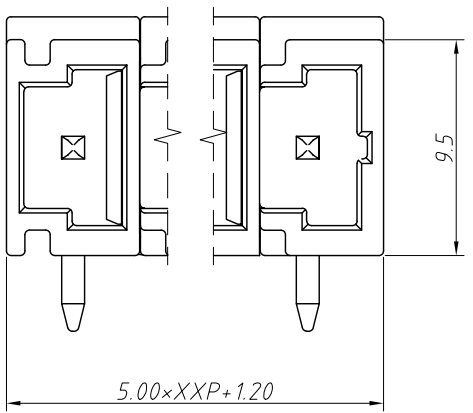


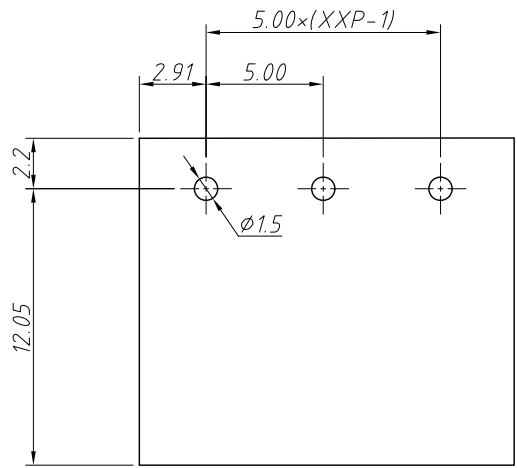
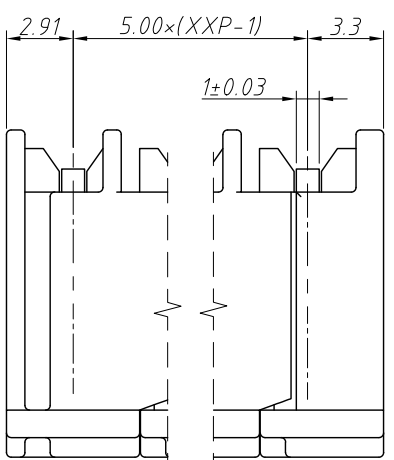
1  
RoHS Compliance

7		8		
REV	SYM	Revision Record	Appr.	Date
V0	KLS02132	New Version Release	WuHao	2025-11-13



Electrical	UL	IEC
Rated Voltage	300V	320V
Rated Current	16A	16A
Withstand Voltage	---	4KV

Material and other:  
Housing: PA66, UL94V-0  
Pin Header: Copper, Matte Tin Plating  
Operating Temperature: -40°C ~ +85°C



Recommended PCB Layout  
Tolerance: ±0.05mm

Order Information  
L-KLS2-ED SS R-5.00-XXP-1 0

- RoHS
- Pluggable
- Terminal Block
- Single Signal
- Bending Needle On The Board
- Pitch: 5.00mm
- No.: Of (02 ~ 12) Pin
- Color: 1=Gray
- Pin Feet: 0=Double Row Feet
- 1=Left Foot In Front    2=Right Foot In Front

ANGLE TOLERANCE	PROJECTION	Description:	Pitch 5.00mm Terminal Block	
±3°				
GENERAL TOLERANCE	UNITS	mm	KLS P/N:	L-KLS2-EDSSR-5.00-XXP-10
0~30	±0.50	SHEET SIZE	A4	
30~60	±0.75	Draw:	WuHao	2025-11-13
60~90	±1.00	Check:	Daniel	2025-11-13

