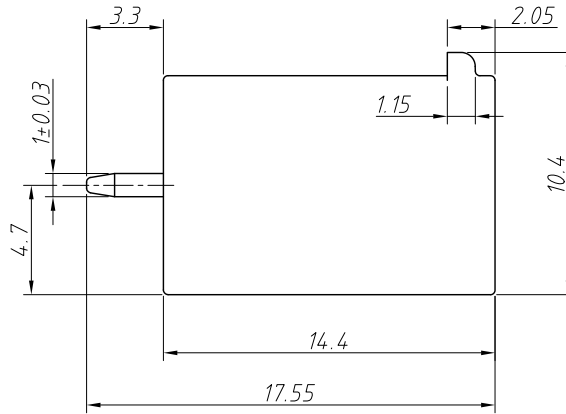
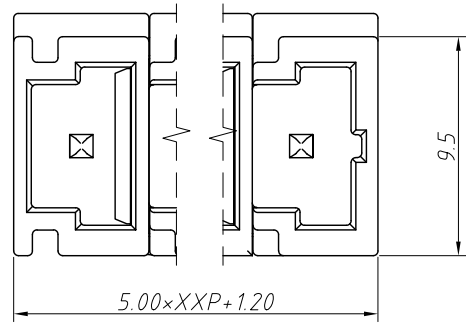


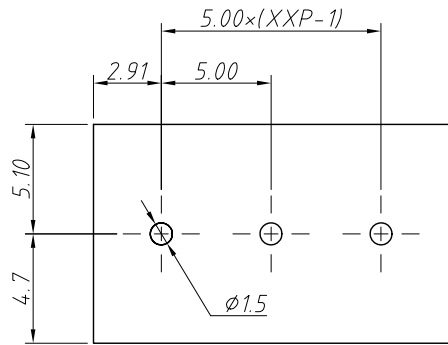
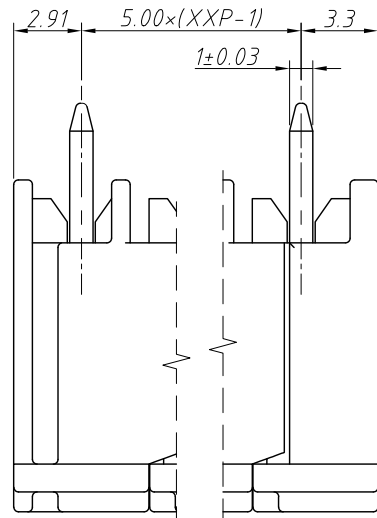
1
RoHS Compliance

6		7		8	
REV	SYM	Revision Record		Appr.	Date
V0	KLS02132	New Version Release		WuHao	2025-11-13



Electrical	UL	IEC
Rated Voltage	300V	320V
Rated Current	16A	16A
Withstand Voltage	---	4KV

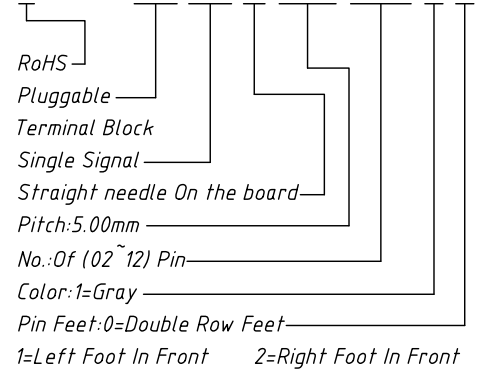
Material and other:
Housing: PA66, UL94V-0
Pin Header: Copper, Matte Tin Plating
Operating Temperature: -40°C ~ +85°C



Recommended PCB Layout
Tolerance: ±0.05mm

Order Information

L-KLS2-ED SS V-5.00-XXP-1 0



ANGLE TOLERANCE	PROJECTION		Description:	
±3°			Pitch 5.00mm Terminal Block	
GENERAL TOLERANCE	UNITS	mm	KLS P/N:	L-KLS2-EDSSV-5.00-XXP-10
0~30	±0.50	SHEET SIZE	A4	
30~60	±0.75	Draw:	WuHao 2025-11-13	NingBo KLS ELECTRONIC CO.,LTD.
60~90	±1.00	Check:	Daniel 2025-11-13	