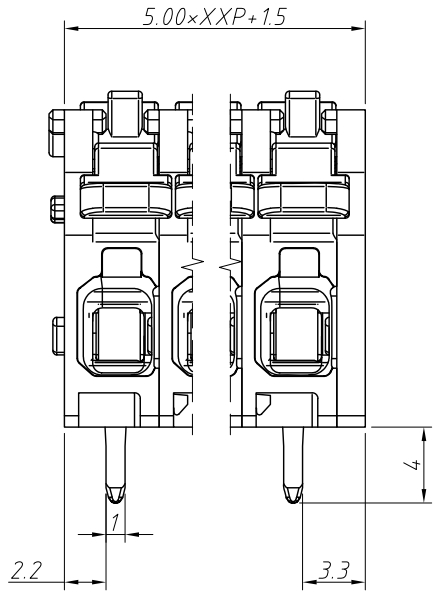
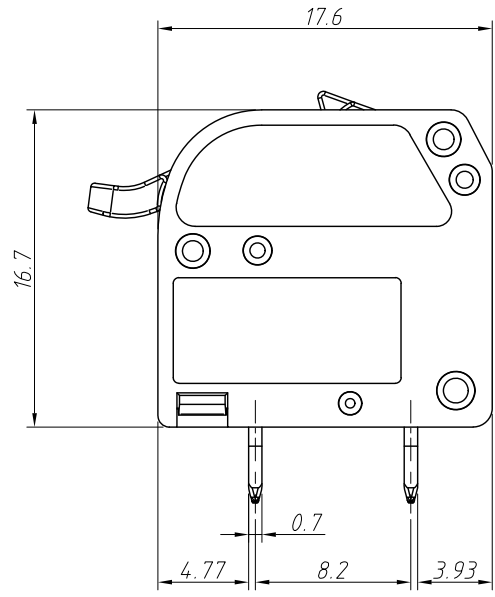


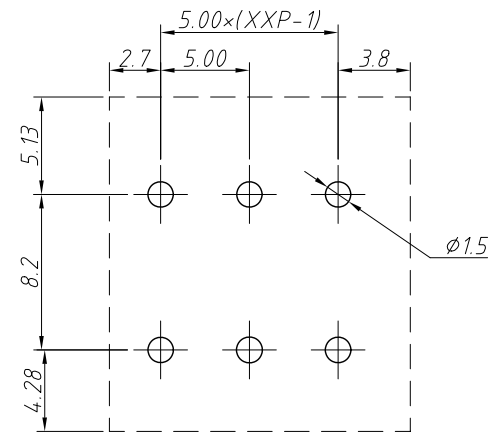
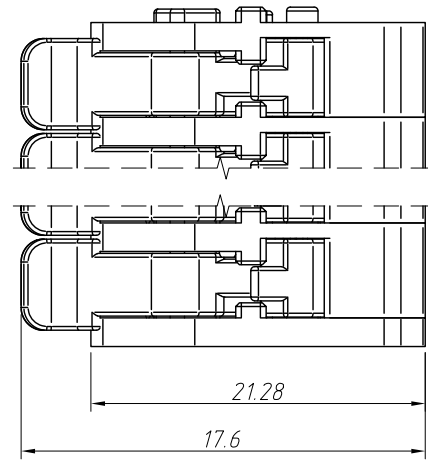
RoHS Compliance

REV	SYM	Revision Record	Appr.	Date
V0	KLS02132	New Version Release	WuHao	2025-11-12



Electrical	UL	IEC
Rated Voltage	300V	400V
Rated Current	20A	24A
Withstand Voltage	---	4KV
Wire Range	20~12 AWG	0.5~2.5mm ²

Material and other:
 Housing:PA66, UL94V-0
 Pin Header:Copper,Matte Tin Plating
 Stripping Length:9~10mm
 Operating Temperature:-40°C ~ +85°C



Recommended PCB Layout
 Tolerance:±0.05mm

Order Information
 L-KLS2-EH SS R-5.00-XXP-1 0

- RoHS
- PCB Soldering Board
- Terminal Block
- Single Signal
- Horizontal Outgoing Wire
- Pitch:5.00mm
- No.:Of (02~12) Pin
- Color:1=Gray
- Pin Feet:0=Double Row Feet
- 1=Left Foot In Front 2=Right Foot In Front

ANGLE TOLERANCE	PROJECTION	Description:	Pitch 5.00mm Terminal Block	
±3°				
GENERAL TOLERANCE	UNITS	mm	KLS P/N:	L-KLS2-EHSSR-5.00-XXP-10
0~30	±0.50	SHEET SIZE	A4	
30~60	±0.75	Draw:	WuHao	2025-11-12
60~90	±1.00	Check:	Daniel	2025-11-12

