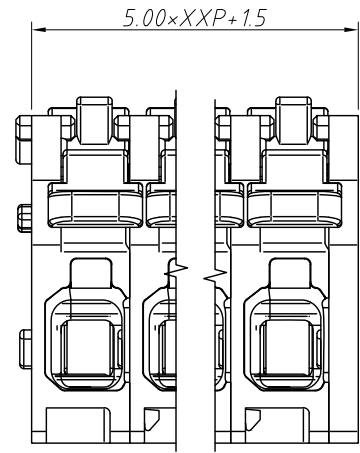
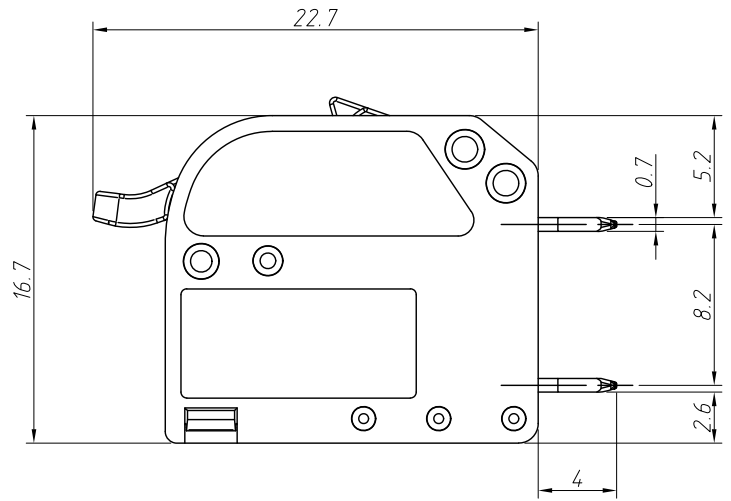


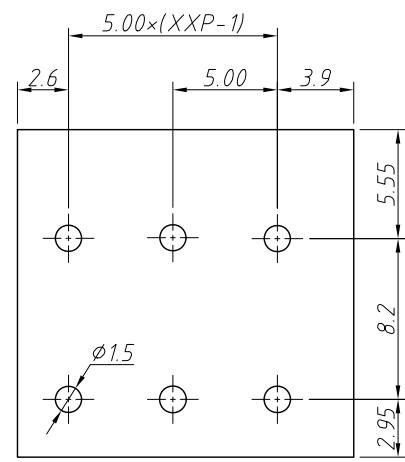
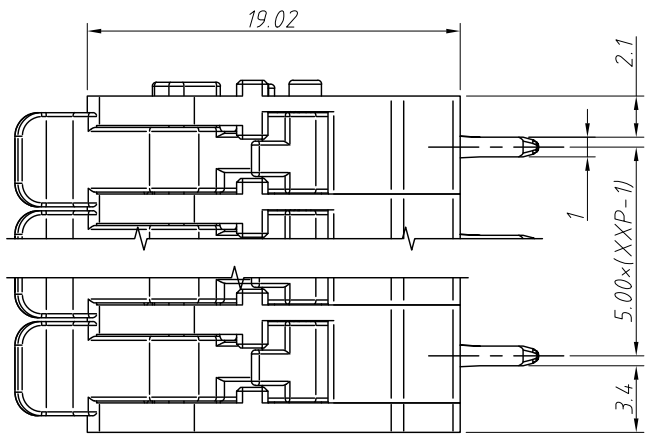
RoHS Compliance

| REV | SYM | Revision Record | Appr. | Date |
|-----|----------|---------------------|-------|------------|
| V0 | KLS02132 | New Version Release | WuHao | 2025-11-12 |



| | | |
|-------------------|-----------|------------------------|
| Electrical | UL | IEC |
| Rated Voltage | 300V | 400V |
| Rated Current | 20A | 24A |
| Withstand Voltage | --- | 4KV |
| Wire Range | 20~12 AWG | 0.5~2.5mm ² |

Material and other:
 Housing: PA66, UL94V-0
 Pin Header: Copper, Matte Tin Plating
 Stripping Length: 9~10mm
 Operating Temperature: -40°C ~ +85°C



Recommended PCB Layout
 Tolerance: ±0.05mm

Order Information
 L-KLS2-EH SS V-5.00-XXP-1 0

- RoHS
- PCB Soldering Board
- Terminal Block
- Single Signal
- Vertical Outgoing Line
- Pitch: 5.00mm
- No.: 0f (02~24) Pin
- Color: 1=Gray
- Pin Feet: 0=Double Row Feet
- 1=Left Foot In Front 2=Right Foot In Front

| | | | | |
|-------------------|------------|--------------|-----------------------------|--------------------------|
| ANGLE TOLERANCE | PROJECTION | Description: | Pitch 5.00mm Terminal Block | |
| ±3° | | | | |
| GENERAL TOLERANCE | UNITS | mm | KLS P/N: | L-KLS2-EHSSV-5.00-XXP-10 |
| 0~30 | ±0.50 | SHEET SIZE | A4 | |
| 30~60 | ±0.75 | Draw: | WuHao | 2025-11-12 |
| 60~90 | ±1.00 | Check: | Daniel | 2025-11-12 |



NingBo KLS ELECTRONIC CO.,LTD.