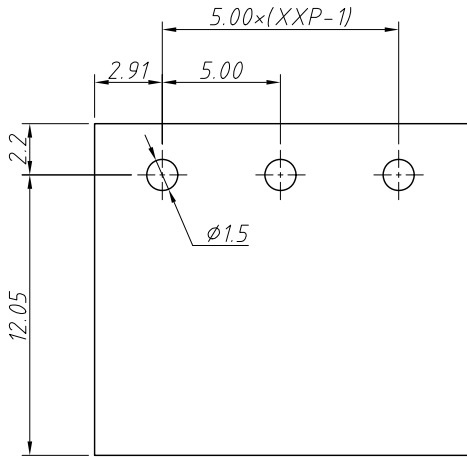
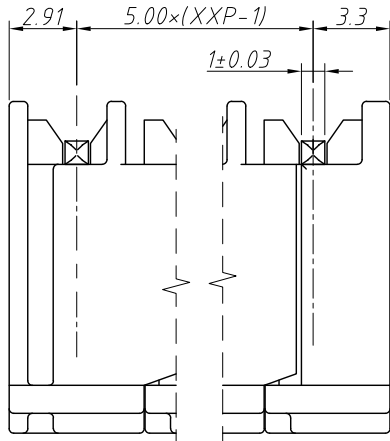
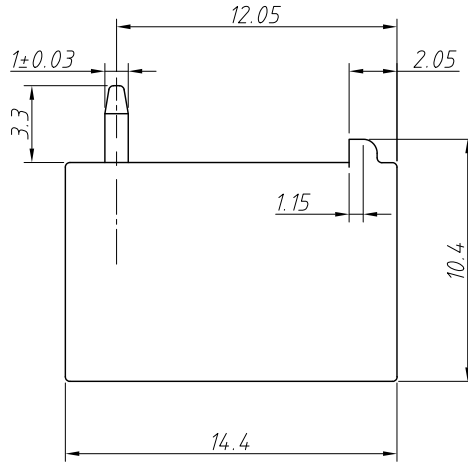
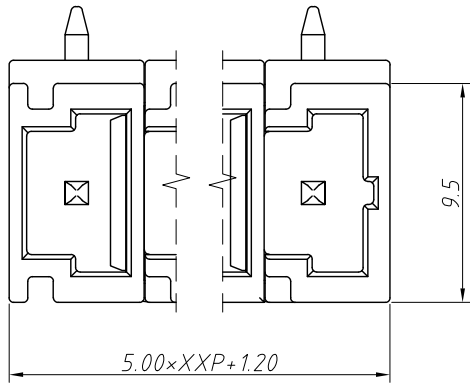


1
RoHS Compliance

6		7		8	
REV	SYM	Revision Record		Appr.	Date
V0	KLS02132	New Version Release		WuHao	2025-11-13



Recommended PCB Layout
Tolerance: ±0.05mm

Electrical	UL	IEC
Rated Voltage	300V	320V
Rated Current	16A	16A
Withstand Voltage	---	4KV

Material and other:
Housing: PA66, UL94V-0
Pin Header: Copper, Matte Tin Plating
Operating Temperature: -40°C ~ +85°C

Order Information

L-KLS2-ED SS C-5.00-XXP-1 0

RoHS
Pluggable
Terminal Block
Single Signal
Bending Needle
Under The Board
Pitch: 5.00mm
No.: Of (02 ~ 12) Pin
Color: 1=Gray
Pin Feet: 0=Double Row Feet
1=Left Foot In Front 2=Right Foot In Front

ANGLE TOLERANCE	PROJECTION	Description:	Pitch 5.00mm Terminal Block	
±3°				
GENERAL TOLERANCE	UNITS	mm	KLS P/N:	L-KLS2-EDSSC-5.00-XXP-10
0~30	±0.50	SHEET SIZE	A4	
30~60	±0.75	Draw:	WuHao	2025-11-13
60~90	±1.00	Check:	Daniel	2025-11-13



NingBo KLS ELECTRONIC CO.,LTD.