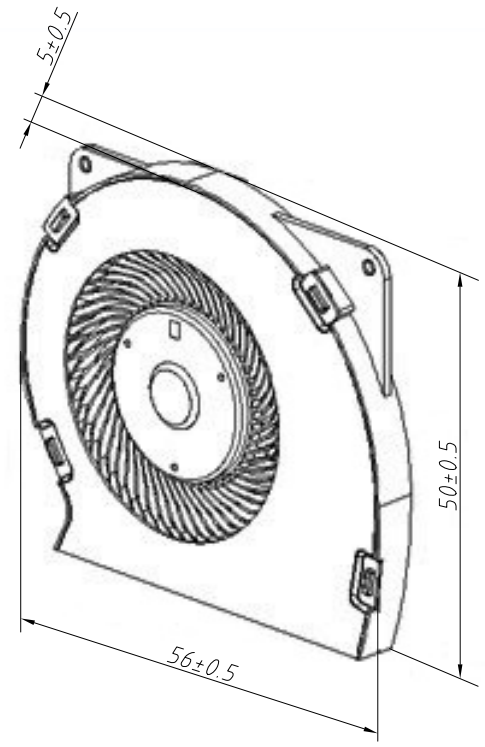
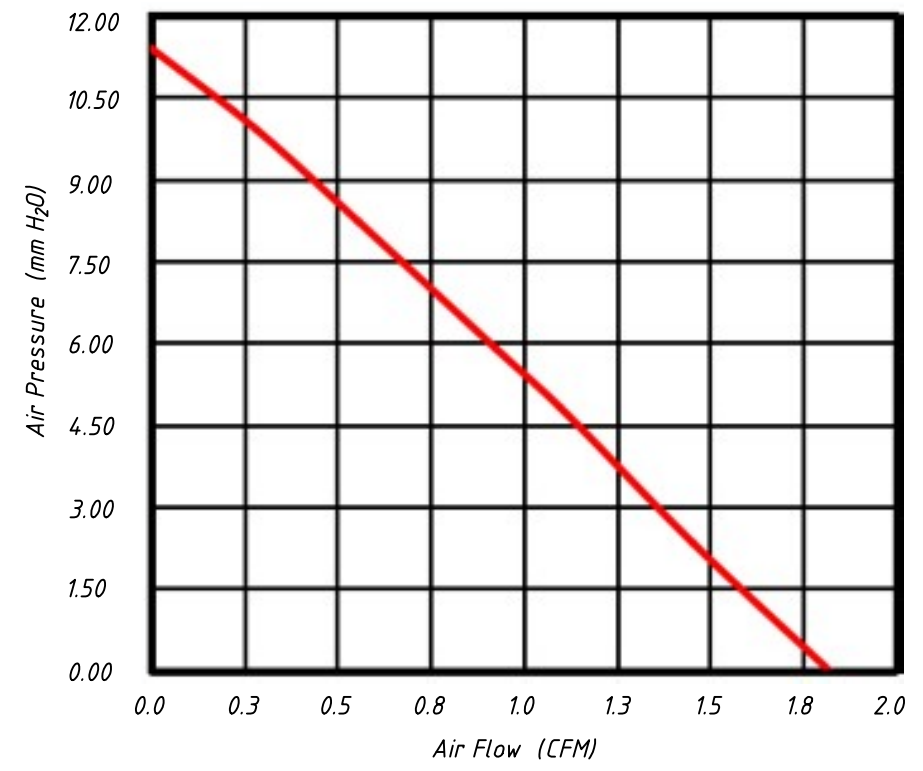


1
RoHS Compliance

6		7		8	
REV	SYM	Revision Record		Appr.	Date
V0	KLS19047	New Version Release		WuHao	2025-04-07



P&Q Curve (Under Rated Voltage)



Bearing TYPE	Rated Voltage	Operating Voltage	Rated Current	Rated Inputpower	Speed	Maximum Air Flow		Maximum Air Pressure		Noise	Distance
	V DC	V DC	A MP	WATT	RPM	M ³ /Min	CFM	mm H ₂ O	IN H ₂ O	dB (A)	m
HDB	5	3.5~5.5	0.40	2.00	5600	0.090	3.19	13.85	0.545	37.2	0.5

Material
Housing: Plastic, UL94V-0

Electric:
Insulation Impedance: 10M Ω /DC 250V Min
Voltage Withstand Test: AC 500V 1s

ANGLE TOLERANCE	PROJECTION	Description:			
±3°		DC Fans			
GENERAL TOLERANCE	UNITS	mm	KLS P/N:	L-KLS22-LX-5605-LHD05	
.x ±0.30	SHEET SIZE	A4			
.xx ±0.20	Draw:	WuHao	2025-04-07		NingBo KLS ELECTRONIC CO.,L TD.
.xxx ±0.10	Check:	Daniel	2025-04-07		