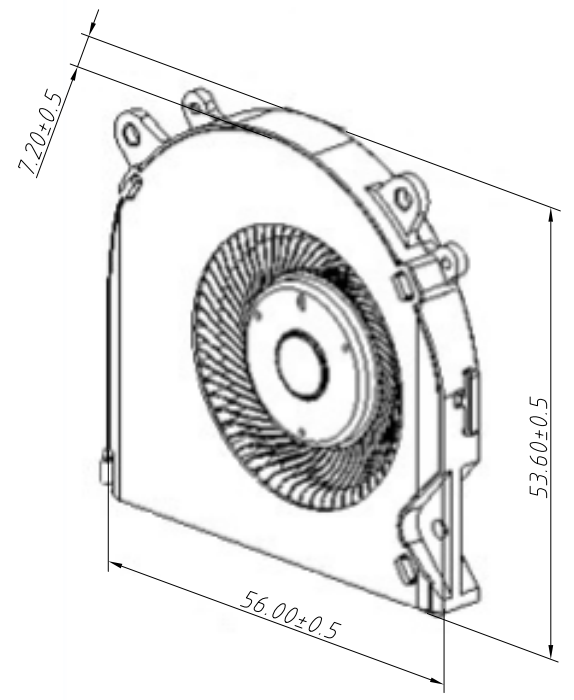
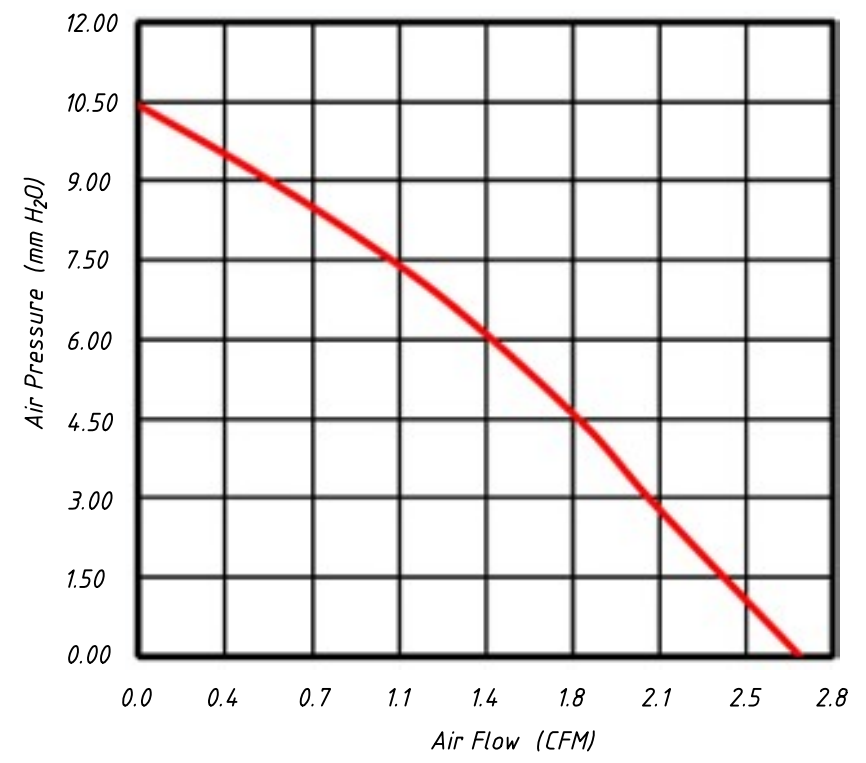


1  
RoHS Compliance

2		3		4		5		6		7		8	
REV	SYM	Revision Record				Appr.	Date						
V0	KLS19047	New Version Release				WuHao	2025-04-08						



P&Q Curve (Under Rated Voltage)



Bearing TYPE	Rated Voltage	Operating Voltage	Rated Current	Rated Inputpower	Speed	Maximum Air Flow		Maximum Air Pressure		Noise	Distance
	V DC	V DC	A MP	WATT	RPM	M <sup>3</sup> /Min	CFM	mm H <sub>2</sub> O	IN H <sub>2</sub> O	dB (A)	m
HDB	5	3.5~5.5	0.22	1.1	4000	0.074	2.61	7.8	0.307	27.5	0.5

Material  
Housing: Plastic, UL94V-0

Electric:  
Insulation Impedance: 10M $\Omega$  /DC 250V Min  
Voltage Withstand Test: AC 500V 1s

ANGLE TOLERANCE	PROJECTION	Description:	
$\pm 3^\circ$		DC Fans	
GENERAL TOLERANCE	UNITS	mm	KLS P/N:
.x $\pm 0.30$	SHEET SIZE	A4	L-KLS22-LX-56072-LHD05
.xx $\pm 0.20$	Draw:	WuHao	2025-04-08
.xxx $\pm 0.10$	Check:	Daniel	2025-04-08

