

# Product Specification

Number: L-KLS12-UY

Name: UY Wire connector

Customer: \_\_\_\_\_

Date: 2025-09-15

Customer Signature:



**NINGBO KLS ELECTRONIC CO; LTD**

Tel : 0086-574-86828566

Fax : 0086-574-86824882

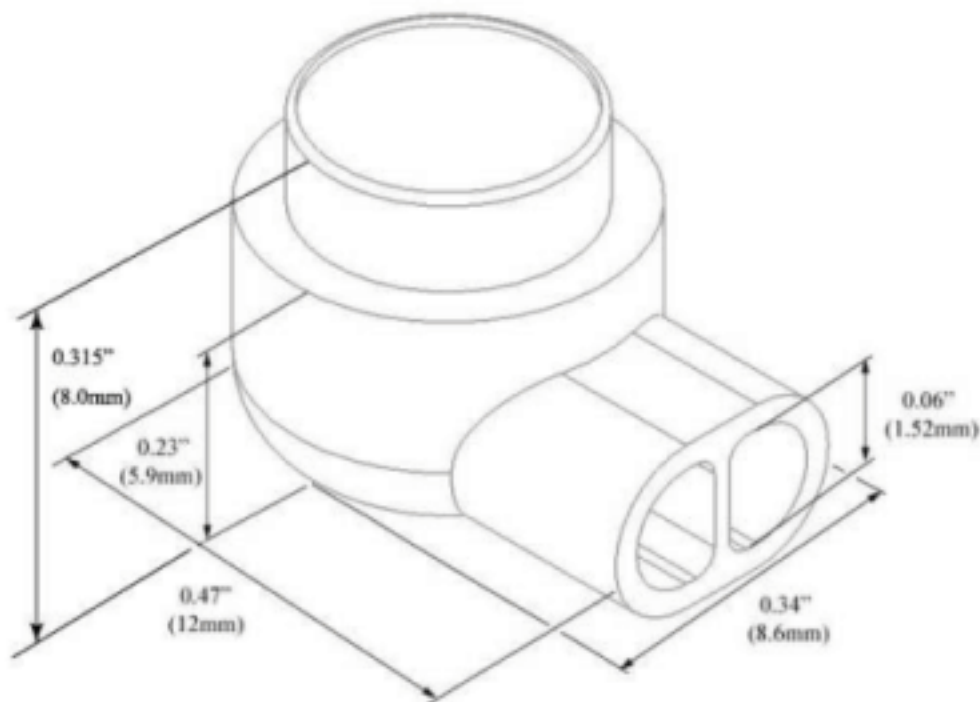
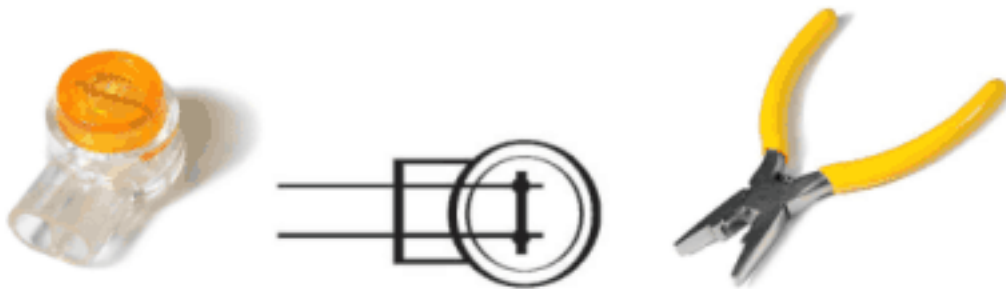
ADD : NO. 8-1, RONGXIA RD. XIAPU SHANQIAN  
INDUSTRIAL ZONE BEILUN NINGBO ZHEJIANG.

Compi	Check	Review	Approva
Jenny	Jack.C		

Part name	UY Wire connector	Date	2025-09-15
Part number	L-KLS12-UY	Edition	V1
Department		Page	2 / 2

## Technical Description

**Products:** (UY) wire connector, two wire inline joints on telephone drop wire of brass with plated tin conductors, which will be suitable for crimping tool shown.



1. **Application:** apply to telephone wiring connection.
2. **Description:**
  - 2.1. (UY) wire connector designed for 0.4mm-0.7mm(26-21AWG) copper or copper-clad steel connector with insulation diameters 1.52mm(0.06").
  - 2.2. The connector is filled with a moisture resistant compound in order to provide moisture proof connections.