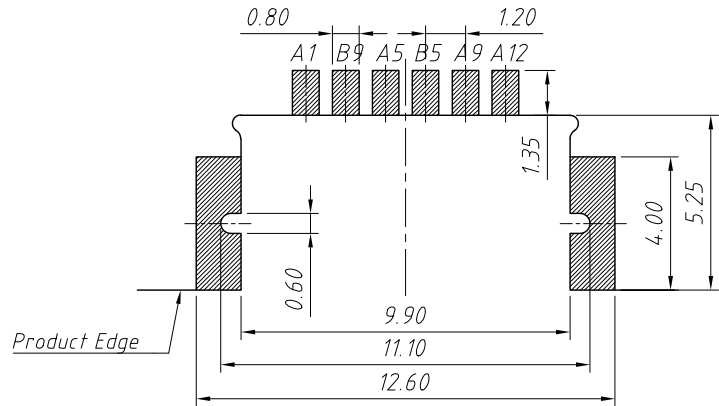
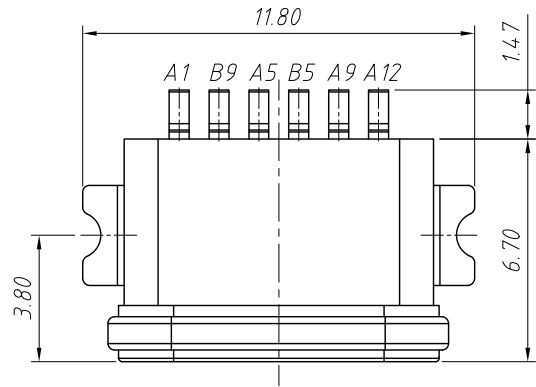
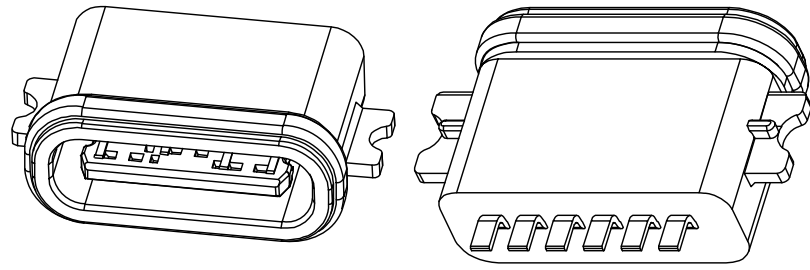
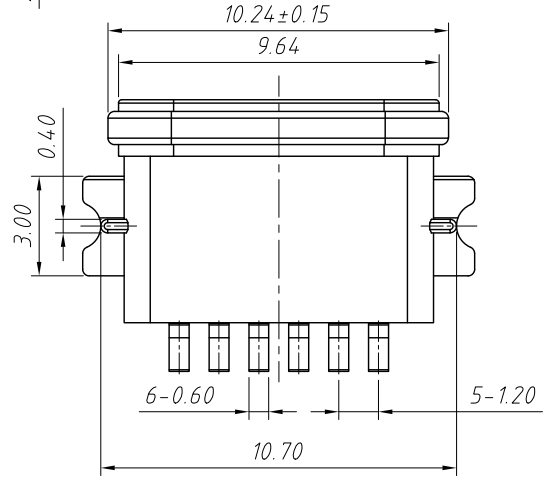
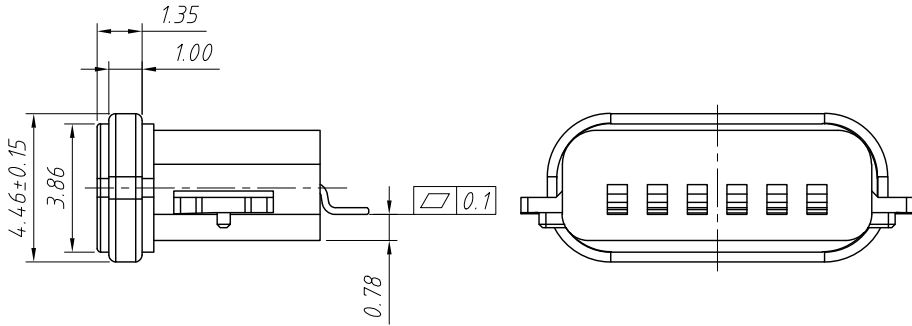
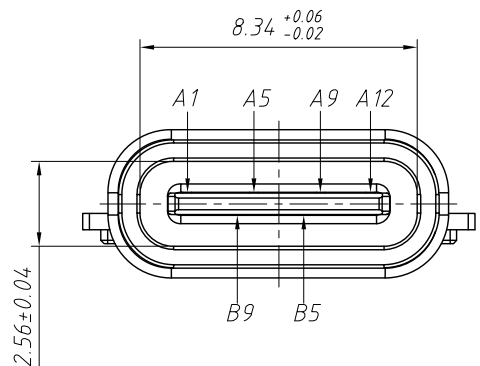


RoHS Compliance

REV	SYM	Revision Record	Appr.	Date
V0	KLS01584	New Version Release	WuHao	2025-10-11



Recommended PCB Layout  
Tolerance: ±0.05mm



**Notes:**

1. Material:  
 Shell: Zinc Alloy, Ni Plated  
 Contact: Copper Steel, Gold Plated  
 Housing: High temperature Resistant Plastic, Black UL 94 V-0  
 Waterproof Ring: Silicone, UL 94 V-0, Black

2. Electric:  
 Rated Current: 3A VBUS pin,  
 1.25A is used for GND Pin  
 The other pins are 0.25A

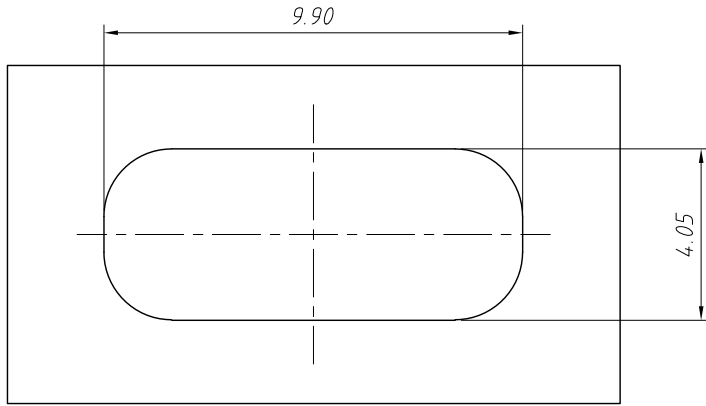
Rated Voltage: 5V  
 Withstand Voltage: 100V AC For 1 Min  
 Temperature Range: -20°C ~ +85°C  
 Contact Resistance: 40mΩ Max  
 A variation of 10mΩ is allowed

Test conditions: Measured at 20mv and 100mA  
 Insulation Resistance: 100MΩ Min  
 Insertion Force: 0.5 ~ 2.0 Kg  
 Pulling Force: 0.6 ~ 2.04 Kg  
 Durability: 10000 Cycles  
 Solderability: Temperature 210-230°C,  
 Time 10 seconds

Pin	Signal Name	Pin	Signal Name
A5	CC1	B12	GND
A9	VBUS	B9	VBUS
A12	GND	B5	CC2

ANGLE TOLERANCE	PROJECTION	Description:	USB Type-C Connector, Waterproof IP68	
±3°				
GENERAL TOLERANCE	UNITS	mm	KLS P/N:	L-KLS1-PUB-014-R
x.x ±0.30	SHEET SIZE	A4	1/3	
x.xx ±0.20	Draw:	WuHao	2025-10-11	
x.xxx ±0.10	Check:	Daniel	2025-10-11	

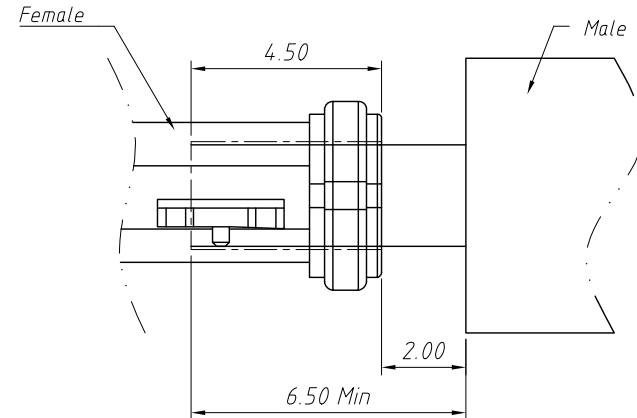
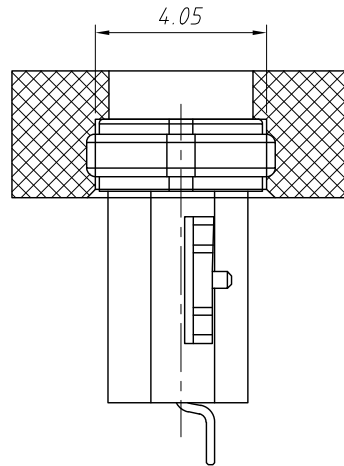
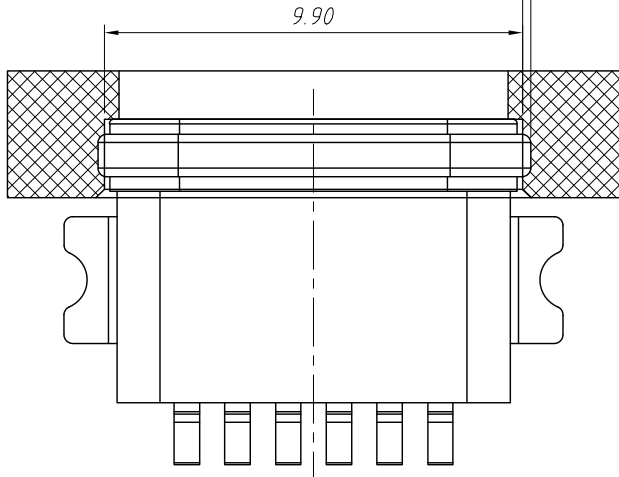




Sealing Hole Size

Note:  
Environmentally friendly lubricating oil is required when assembling the shell

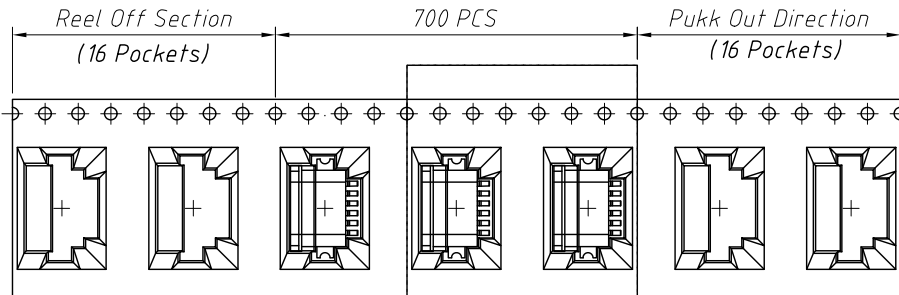
Sealing ring and shrinkage of the casing panel 0.20 Min  
(Recommended compression amount is 40-50% in the downward direction of the sealing ring)



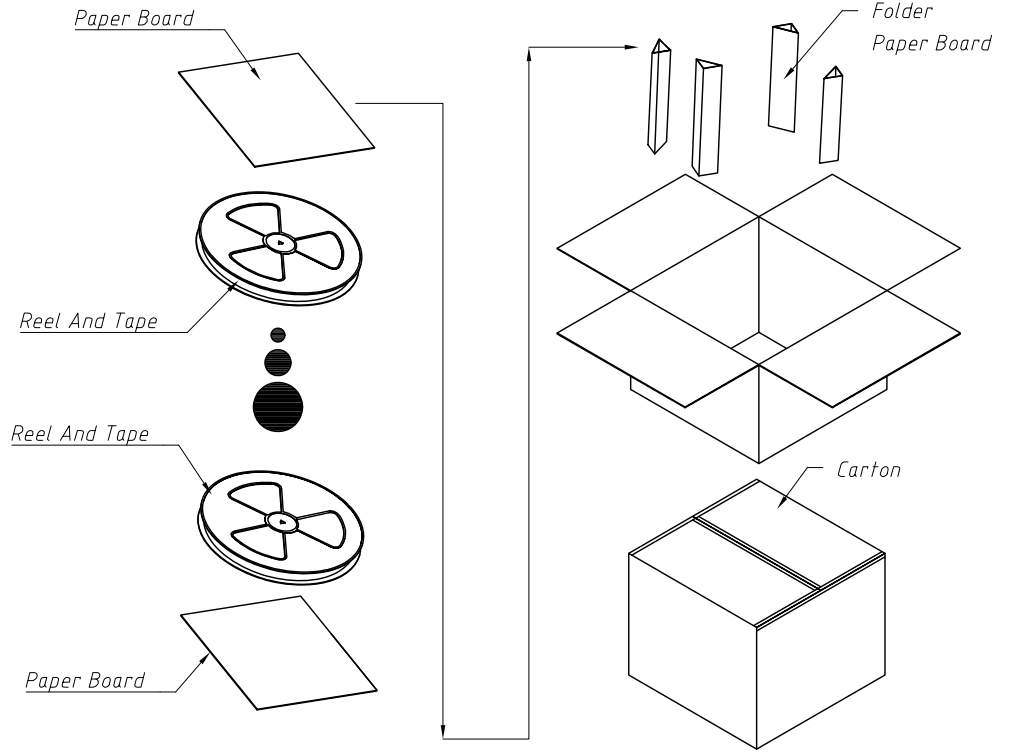
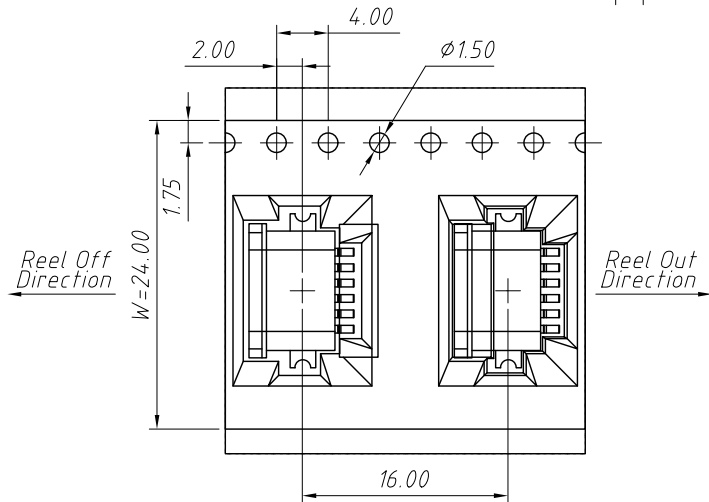
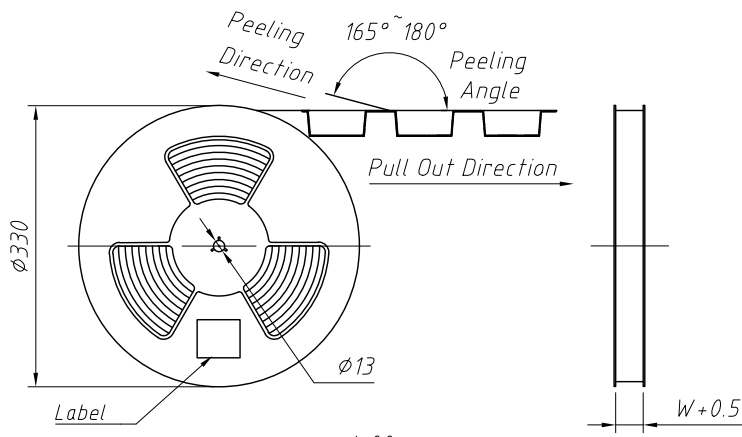
ANGLE TOLERANCE	PROJECTION	Description:	USB Type-C Connector, Waterproof IP68	
±3°			L-KLS1-PUB-014-R	
GENERAL TOLERANCE	UNITS	mm	KLS P/N:	
x.x ±0.30	SHEET SIZE	A4	2/3	
x.xx ±0.20	Draw:	WuHao	2025-10-11	
x.xxx ±0.10	Check:	Daniel	2025-10-11	

RoHS Compliance

REV	SYM	Revision Record	Appr.	Date
V0	KLS01584	New Version Release	WuHao	2025-10-11



See Detail X



	Reel	Carton
Connector (PCS)	500	5000

ANGLE TOLERANCE	PROJECTION	Description:	USB Type-C Connector, Waterproof IP68	
±3°			L-KLS1-PUB-014-R	
GENERAL TOLERANCE	UNITS	mm	KLS P/N:	
x.x ±0.30	SHEET SIZE	A4	3/3	
x.xx ±0.20	Draw:	WuHao	2025-10-11	
x.xxx ±0.10	Check:	Daniel	2025-10-11	

NingBo KLS ELECTRONIC CO.,LTD.