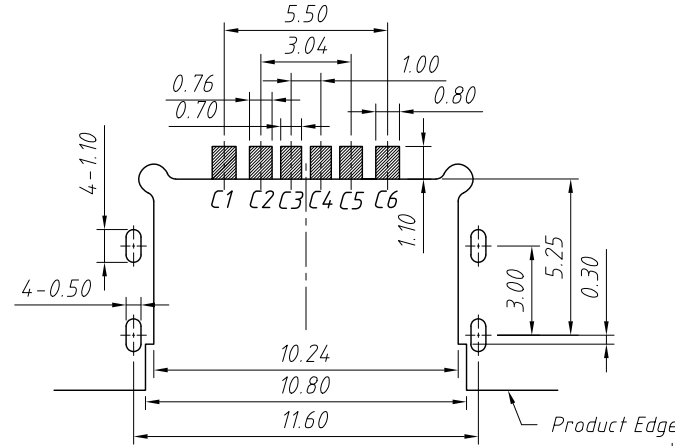
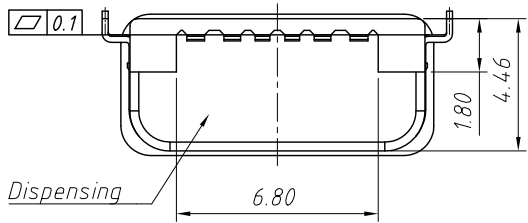
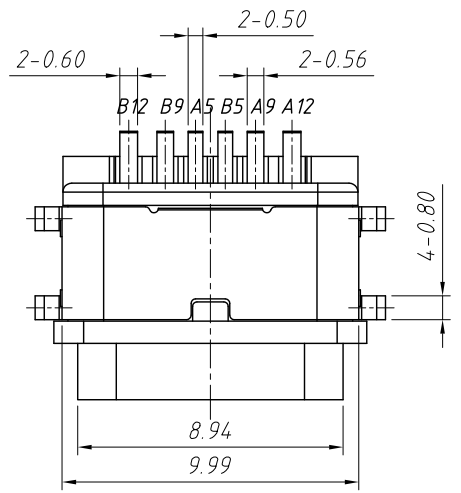


RoHS Compliance

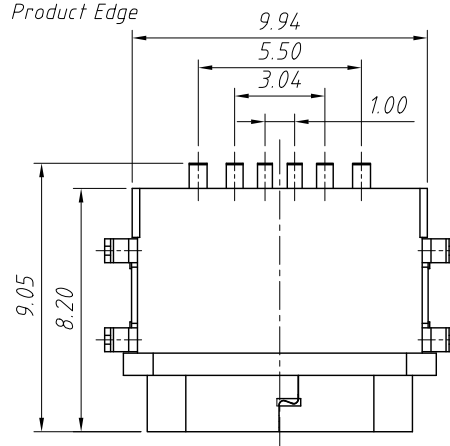
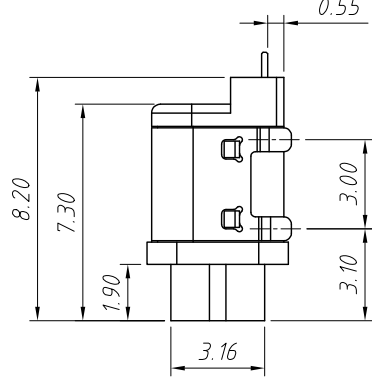
REV	SYM	Revision Record	Appr.	Date
V0	KLS01584	New Version Release	WuHao	2025-10-11



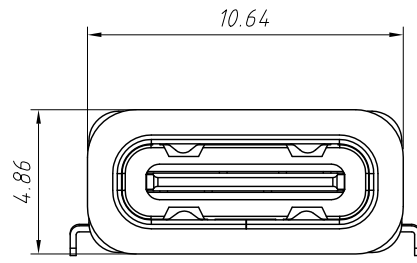
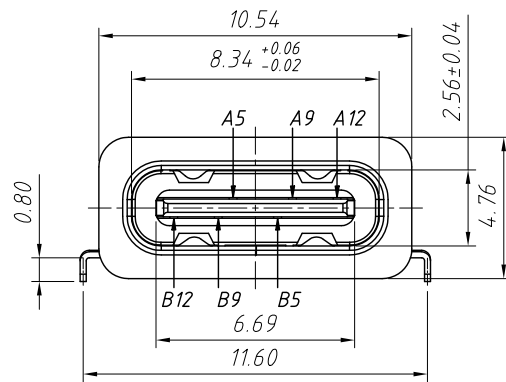
Notes:
 1.Material:
 Shell:Stainless Steel,Ni Plated
 Contact:Brass C2680,Gold Plated
 Mid Plate:Stainless Steel,No Plating
 Housing:High temperature Resistant
 Plastic SUS304,Black UL94V-0
 Shielding Plate:Stainless Steel,Ni Plated



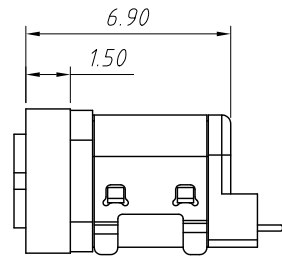
Recommended PCB Layout
 Tolerance:±0.05mm



2.Electric:
 Rated Current:3A
 Rated Voltage:5V
 Withstand Voltage:500V AC For 1 Min
 Temperature Range:-20°C~+85°C
 Contact Resistance:40mΩ Max
 The impedance change after reliability and environmental testing shall not exceed 10mΩ
 Insulation Resistance:100MΩ Min
 Insertion Force:5N~20N
 Pulling Force:6N~20N
 Durability:10000 Cycles
 Thrust:50N min
 Peel Strength:150N min
 Twisted Strength:0.75 Nm
 Salt Spray Test:48H



Schematic diagram adding waterproof ring



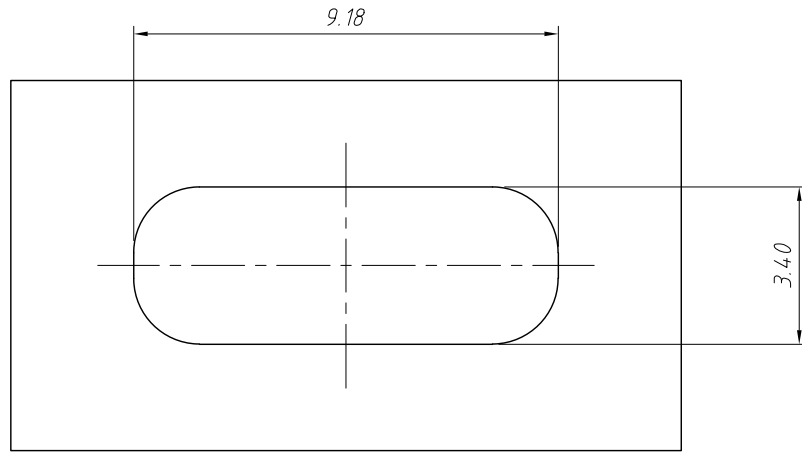
Pin Assignment:

PIN NO	A1&B12	B9	A5	B5	A9	A12&B1
Signal Name	GND	VBUS	CC1	CC2	VBUS	GND
PCB PAD NO.	C1	C2	C3	C4	C5	C6

ANGLE TOLERANCE	PROJECTION	Description:	USB Type-C Connector, Waterproof IPX7	
±3°				
GENERAL TOLERANCE	UNITS	mm	KLS P/N:	L-KLS1-PUB-013-R
x.x ±0.30	SHEET SIZE	A4	1/3	NingBo KLS ELECTRONIC CO.,LTD.
x.xx ±0.20	Draw:	WuHao	2025-10-11	
x.xxx ±0.10	Check:	Daniel	2025-10-11	

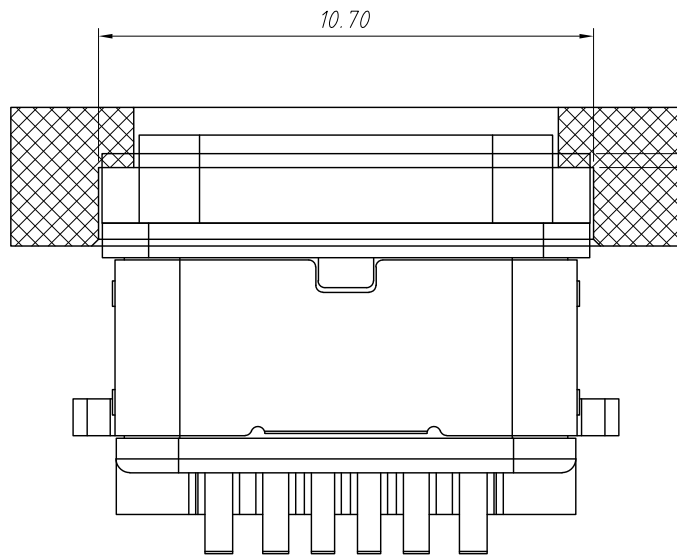
1
RoHS Compliance

6		7		8	
REV	SYM	Revision Record		Appr.	Date
V0	KLS01584	New Version Release		WuHao	2025-10-11

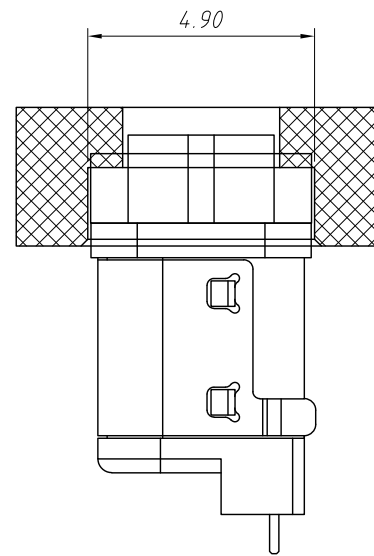


Sealing Hole Size

Note:
Environmentally friendly lubricating
oil is required when assembling the shell



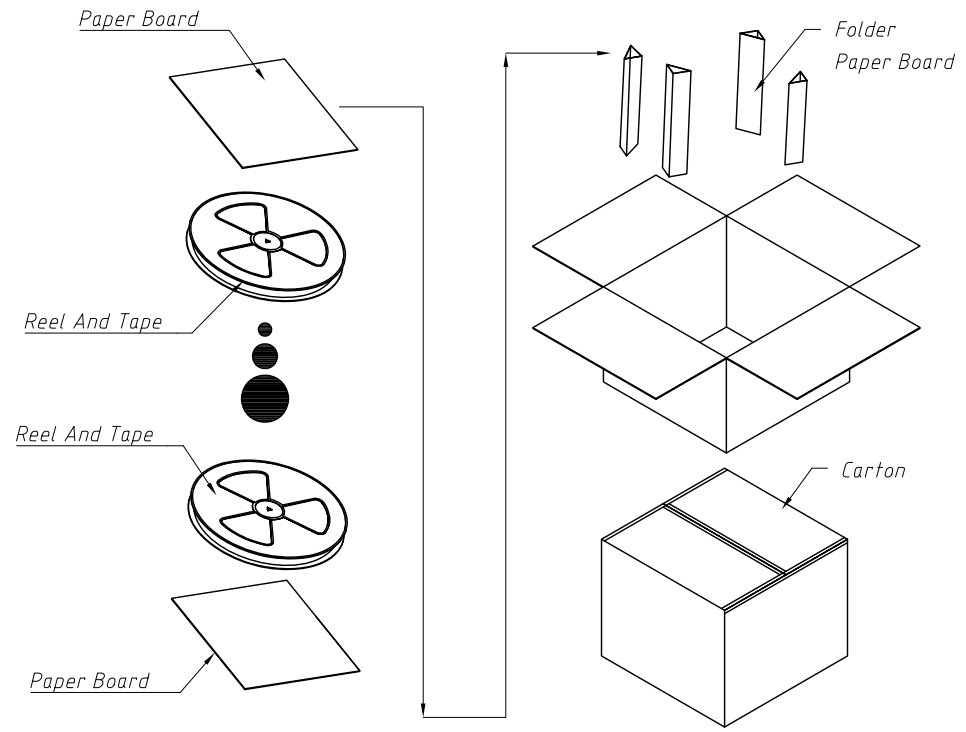
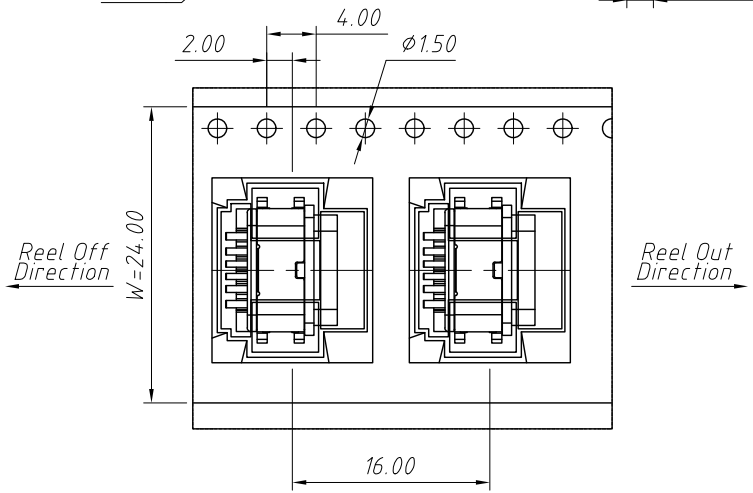
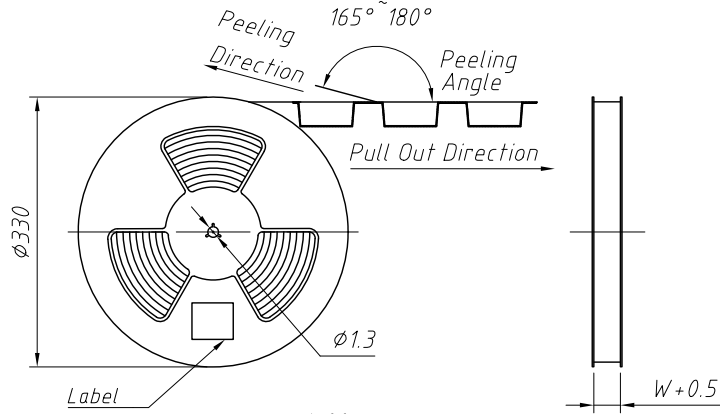
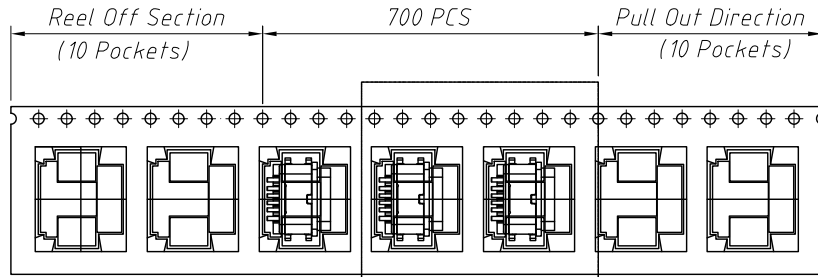
Sealing ring and shrinkage of
the casing panel 0.30 Min
(Recommended compression amount is 40-50%
in the downward direction of the sealing ring)



ANGLE TOLERANCE	PROJECTION	Description: USB Type-C Connector, Waterproof IPX7			
±3°		L-KLS1-PUB-013-R			
GENERAL TOLERANCE	UNITS	mm	KLS P/N:	L-KLS1-PUB-013-R	
x.x ±0.30	SHEET SIZE	A4	2/3	NingBo KLS ELECTRONIC CO.,LTD.	
x.xx ±0.20	Draw:	WuHao	2025-10-11		
x.xxx ±0.10	Check:	Daniel	2025-10-11		

RoHS Compliance

REV	SYM	Revision Record	Appr.	Date
V0	KLS01584	New Version Release	WuHao	2025-10-11



	Reel	Carton
Connector (PCS)	700	7000

ANGLE TOLERANCE	PROJECTION	Description:	USB Type-C Connector, Waterproof IPX7	
±3°				
GENERAL TOLERANCE	UNITS	mm	KLS P/N:	L-KLS1-PUB-013-R
x.x ±0.30	SHEET SIZE	A4	3/3	NingBo KLS ELECTRONIC CO.,LTD.
x.xx ±0.20	Draw:	WuHao	2025-10-11	
x.xxx ±0.10	Check:	Daniel	2025-10-11	